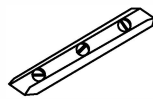




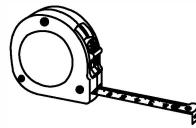
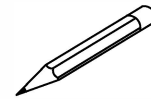
Columbia Vanity Cabinets: E652-V39.5-BKO E652-V39.5-GW E652-V39.5-MCA E652-V39.5-NVB

## Assembly / Installation Instructions

## Materials for Installation:



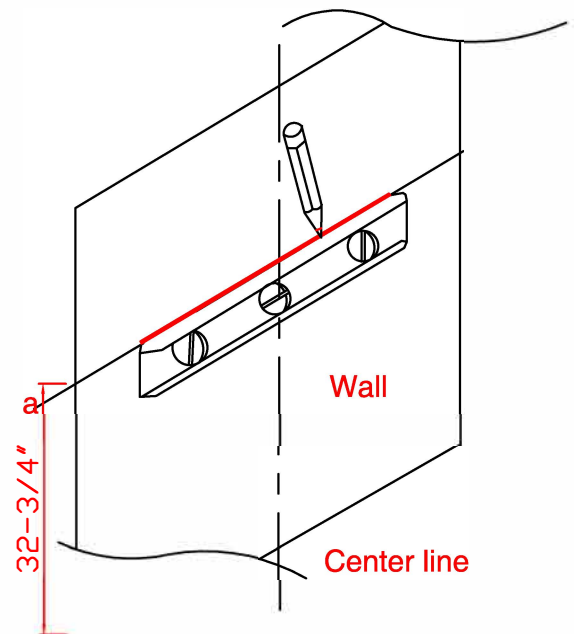
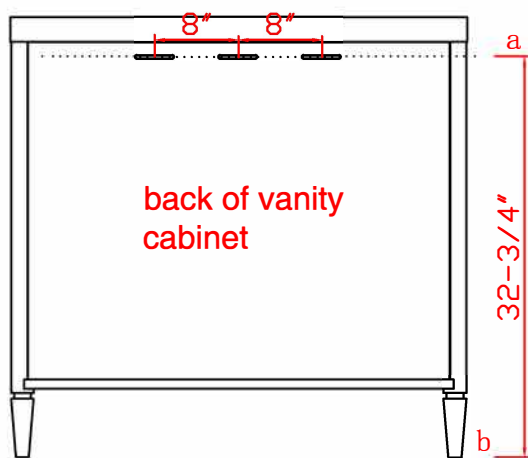
Level

Tape  
Measuring

Pencil

\* For your safety and to achieve the best possible installation of this vanity cabinet, James Martin Vanities always recommends you consult with a professional contractor. Two people are required for the assembly and installation of this vanity cabinet.

**Warning:** To prevent accidental tip-over of these cabinets, you must follow these steps.



### Step 1 Notes:

The holes have been pre-drilled to the backside of the cabinet 32 3/4" from the bottom of the cabinet.

### Step 2 Notes:

Draw a horizontal line on the wall at your desired height 32 3/4".



Columbia Vanity Cabinets: E652-V39.5-BKO E652-V39.5-GW E652-V39.5-MCA E652-V39.5-NVB

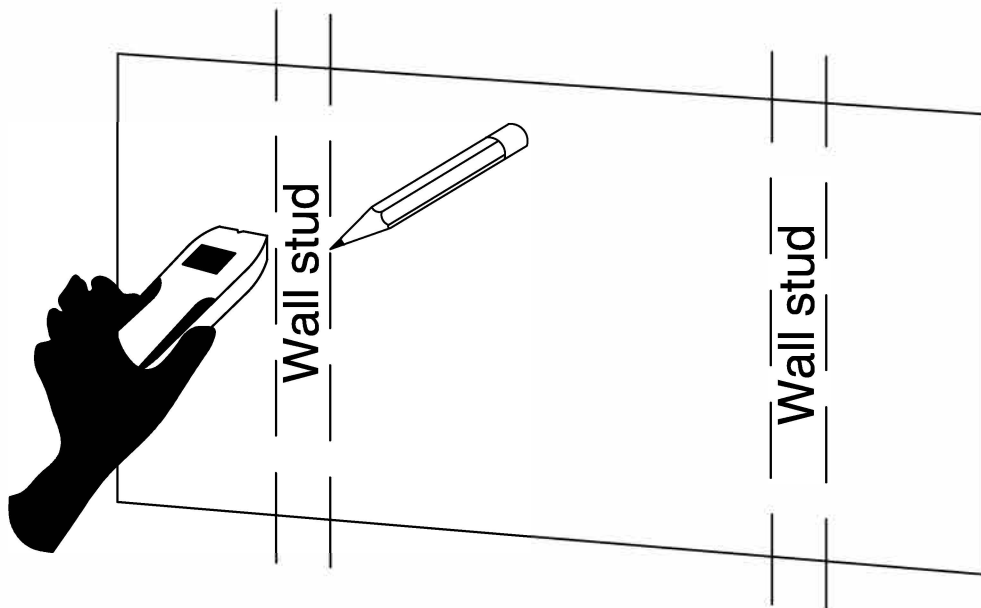
## Assembly / Installation Instructions

**Materials  
for  
Installation:**

Stud Finder



Pencil

**Step 3 Notes:**

Locate and mark the position of the wall's interior studs to which you will fasten the metal bracket.

We recommend the use of an electronic stud finder to locate the studs.

(Alternately, you may find studs by listening for a solid sound as you knock on the wall)

**Special Note 1:**

If the studs in your bathroom do not line up to the mounting location for your vanity, additional wood blocking can be installed between the studs using standard 2 x 4 lumber.

**Special Note 2:**

Due to the narrow width of this cabinet, you may decide to use drywall anchors if the wall studs are not spaced appropriately.

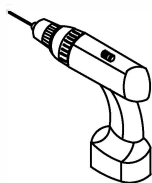
**IMPORTANT:**

James Martin Vanities recommended you always consult with professional installers and contractors regarding the correct installation of our products.

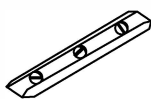


Columbia Vanity Cabinets: E652-V39.5-BKO E652-V39.5-GW E652-V39.5-MCA E652-V39.5-NVB

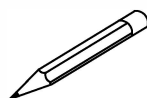
## Assembly / Installation Instructions

**Materials  
for  
Installation:**


Drill



Level



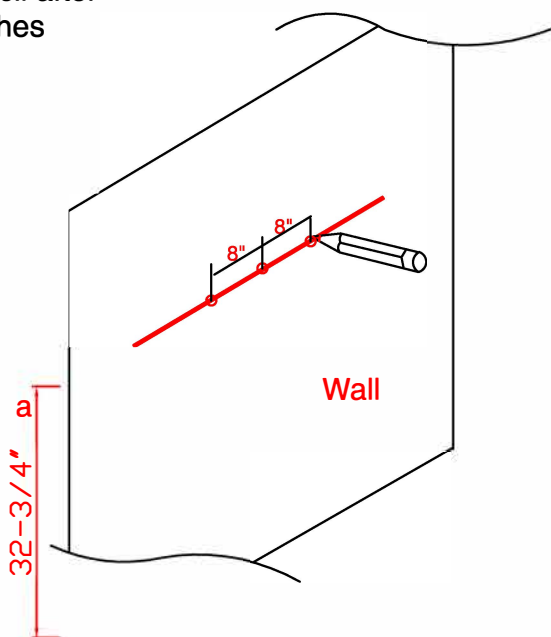
Pencil



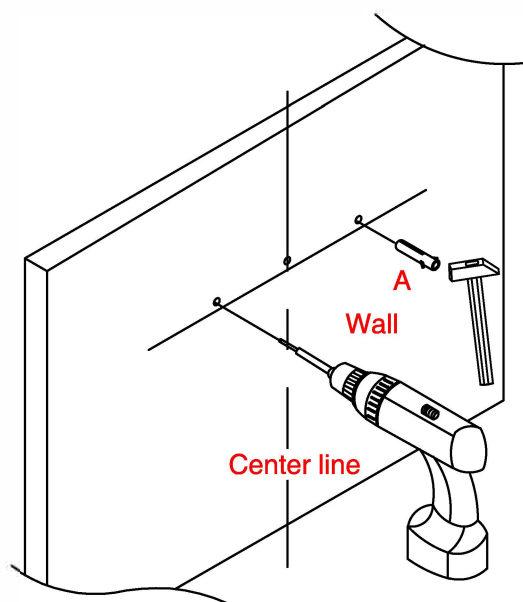
Hammer

**Step 4 Notes:**

Mark the positions on the studs with a pencil after you located the studs, the spacing is 8 inches


**Step 5 Notes:**

Drill holes for the screws in the positions you have marked with the pencil. Drill the holes' depth no less than 1 1/2", insert hardware **A** (drywall anchors) to the holes by using hammer if wall studs are not in the correct positions.



**A**=3PCS drywall anchors (optional)\* Ø8\*38

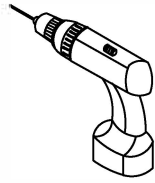




Columbia Vanity Cabinets: E652-V39.5-BKO E652-V39.5-GW E652-V39.5-MCA E652-V39.5-NVB

Assembly / Installation Instructions

**Materials  
for  
Installation:**



Drill

**B**=3PCS Screw Ø4\*60

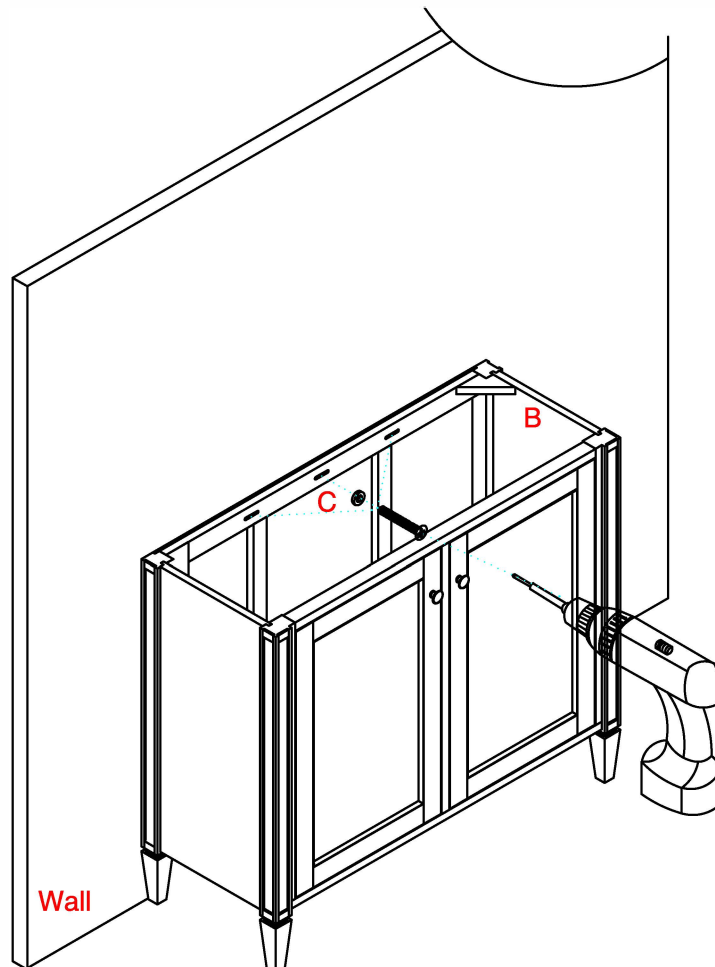


**C**=3PCS Flat Washer Ø11



**Step 6 Notes:**

Secure the cabinet to the wall using hardware **B** (screws) and Flat Washer **C** through the pre-drilled holes on the back rail.

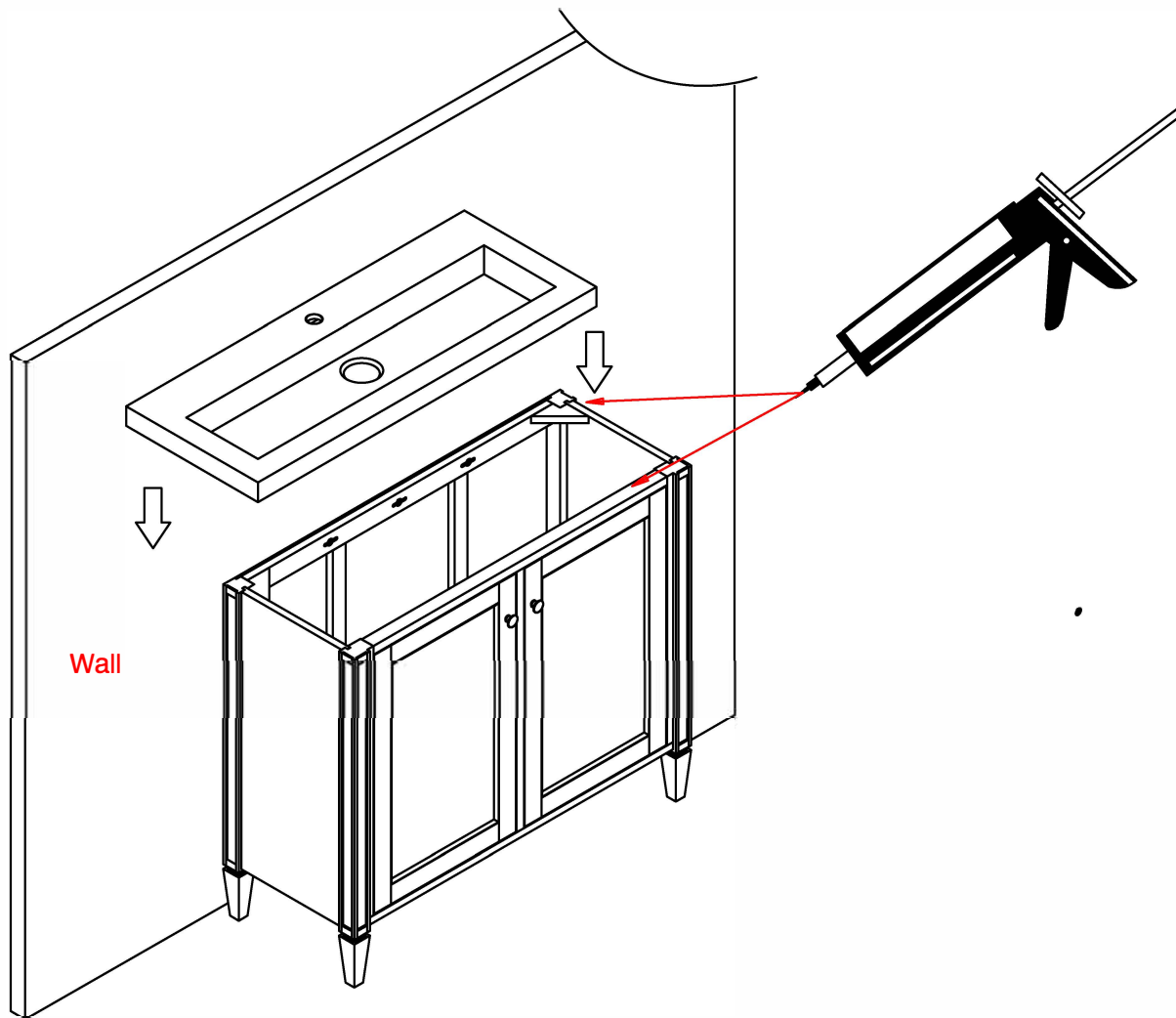
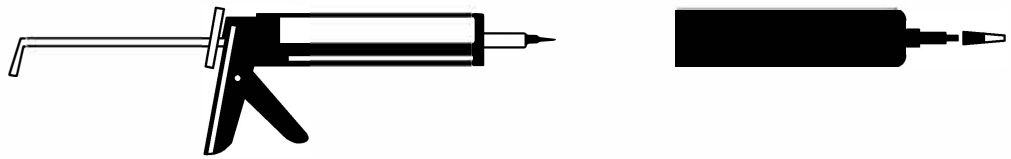




Columbia Vanity Cabinets: E652-V39.5-BKO E652-V39.5-GW E652-V39.5-MCA E652-V39.5-NVB

Assembly / Installation Instructions

Materials  
for  
Installation:



7 Notes:  
Properly align and secure the countertop to the cabinet with high quality adhesive.