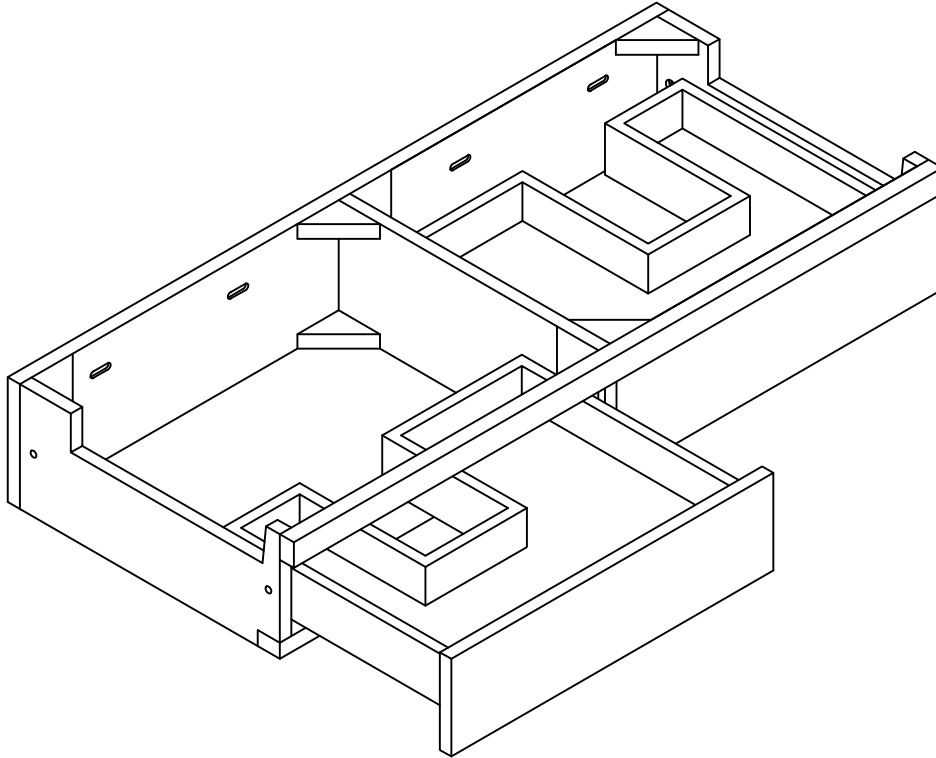


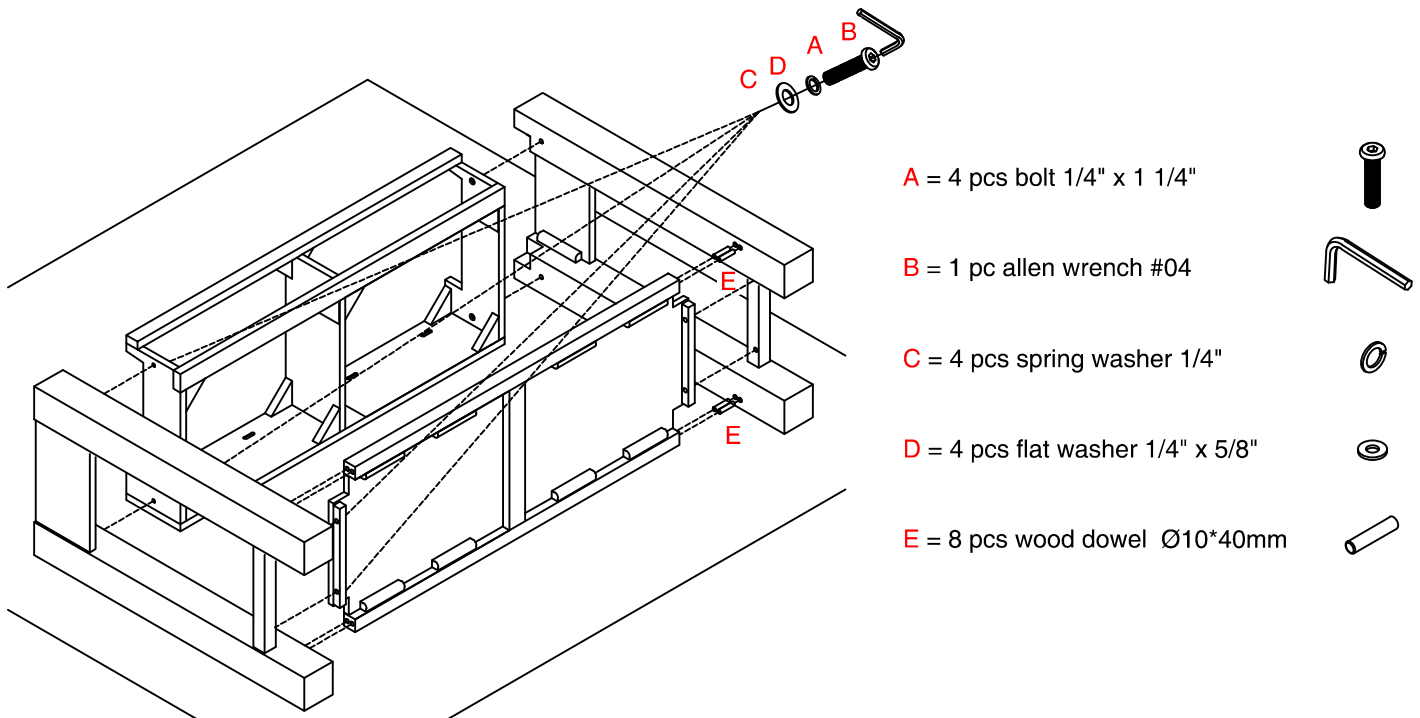


Brooklyn cabinet C205-V47-PTA:
 Assembly / Installation Instructions



Step 1 Notes:

Locate the wooden top frame and remove the drawers, please check the page 05
 ASSEMBLY INSTRUCTIONS: Removal and Insertion for Standard Drawers with Undermount Slides.



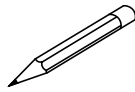
Step 2 Notes:

Please locate the red hardware bag which is included with the cabinet.

Attach the wooden shelf and the top frame to the side frames using the bolts (**A**) through the spring washers (**D**) and the flat washers (**C**). Secure the bolts by turning the Allen Wrench (**B**).

Brooklyn cabinet C205-V47-PTA: Assembly / Installation Instructions

Materials for Installation:



Pencil



Stud Finder

Step 3 Notes:

Locate and mark the position of the Wall's interior studs to which you will fasten the metal bracket.

We recommend the use of an electronic stud finder to locate the studs.

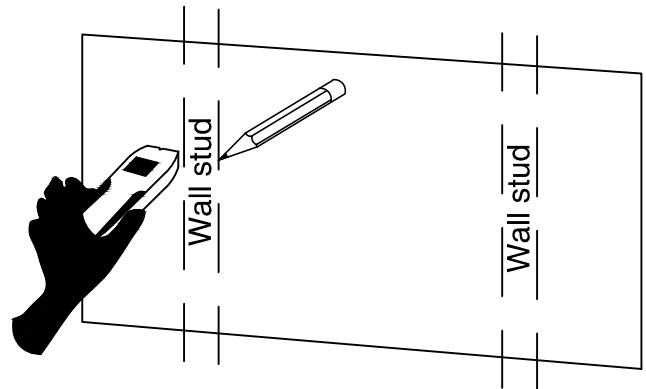
(Alternately, you may find studs by listening for a solid sound as you knock on the Wall)

Special Note 1:

If the studs in your bathroom do not line up to the mounting location for your vanity, additional wood blocking can be installed between the studs using standard 2 x 4 lumber.

Special Note 2:

Due to the narrow width of this cabinet, you may decide to use dryWall anchors if the Wall studs are not spaced appropriately.

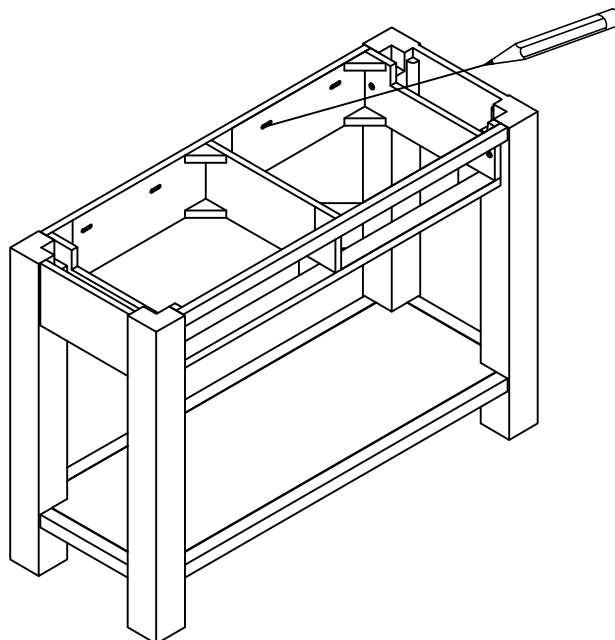


IMPORTANT:

James Martin Vanities recommended you always consult with professional installers and contractors regarding the correct installation of our products.

Step 4 Notes:

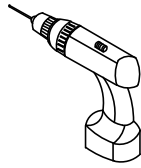
Put the cabinet against the wall, mark the positions with a pencil through the pre-drilled holes on the back rail.





Brooklyn cabinet C205-V47-PTA:
 Assembly / Installation Instructions

Materials
 for
 Installation:



Drill



Hammer

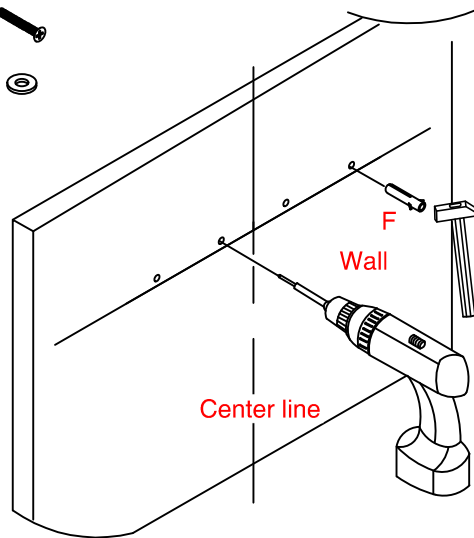
F=4PCS Drywall anchor Ø8*38



G=4PCS Screws Ø4*55mm



H =4pcs Flat Washer 5/32" x 12mm



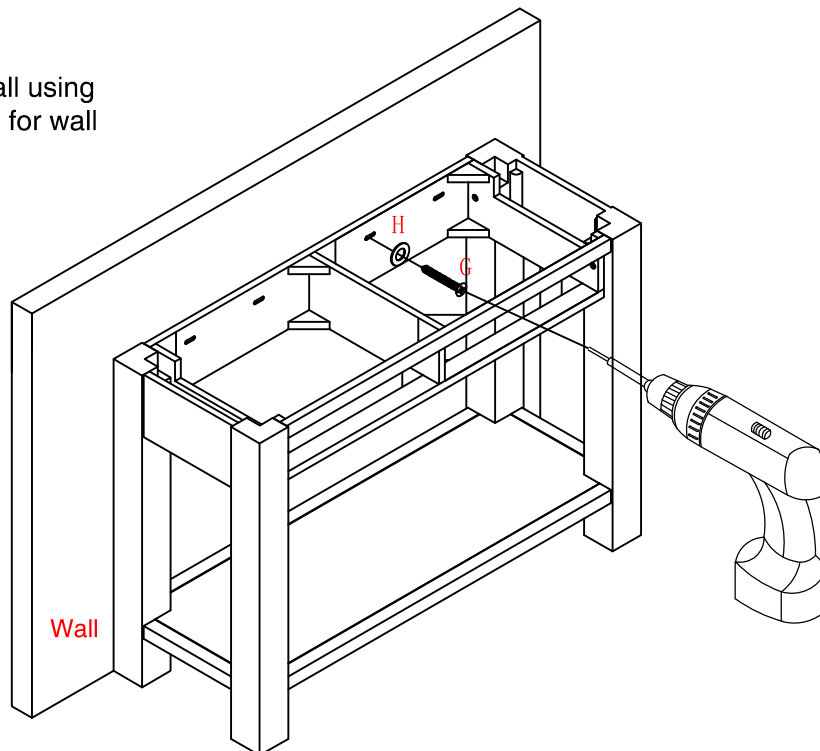
Step 5 Notes:

Drill holes for the screws in the positions you have marked with the pencil.

Drill the holes' depth no less than 1 1/2", insert hardware F (drywall anchors) to the holes by using hammer if wall studs are not in the correct positions.

Step 6 Notes:

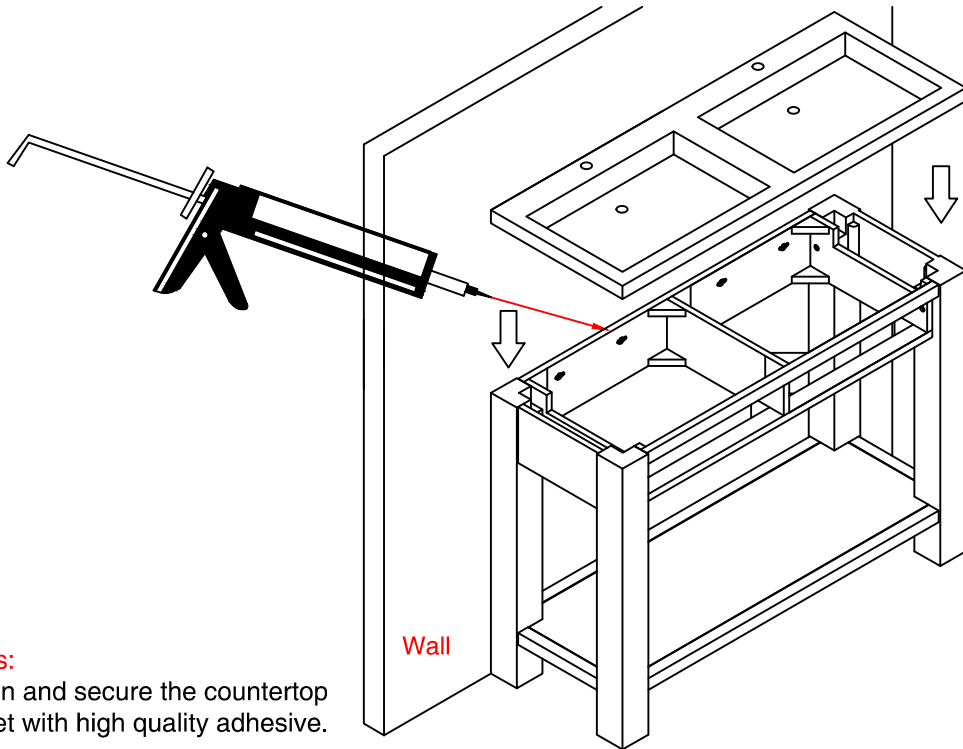
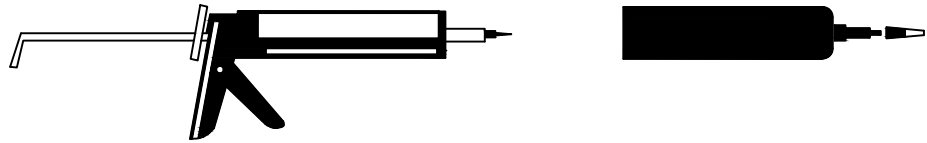
Secure the cabinet to the wall using
 Screw G and Flat Washer H for wall
 studs



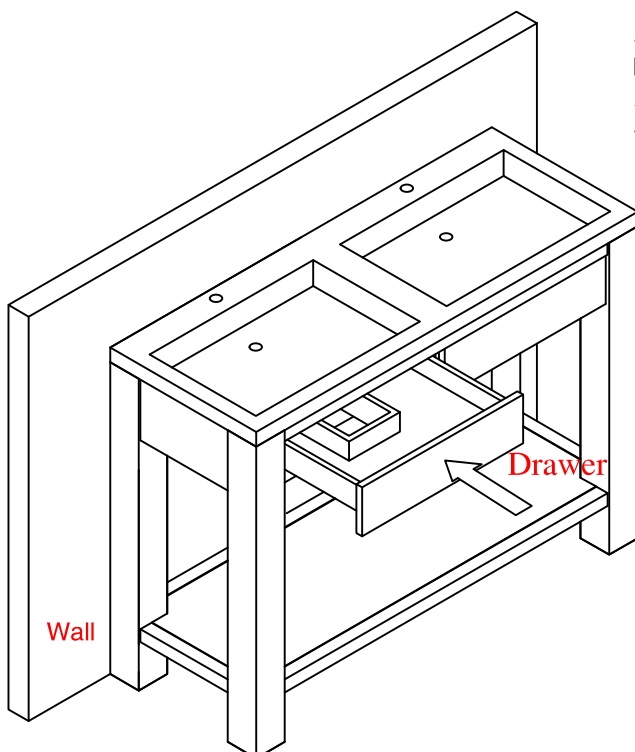


Brooklyn cabinet C205-V47-PTA:
Assembly / Installation Instructions

Materials
for
Installation:



Step 7 Notes:
Properly align and secure the countertop to the cabinet with high quality adhesive.



Step 8 Notes:
Insert the drawers, please check the page 6 ASSEMBLY INSTRUCTIONS: Removal and Insertion for Standard Drawers with Undermount Slides.

ASSEMBLY INSTRUCTIONS:**Removal and Insertion for Standard Drawers with Undermount Slides.**

Visit our Website to see a Video of these instructions:

www.jamesmartinvanities.com Tabs: Knowledge Base / Solutions / Installation and Assembly

Step 1 Notes:

To remove the drawer, pull the drawer towards you until it has reached full extension away from the cabinet.

On the underside of the drawer you will see the pair of metal drawer slides.

Locate the pair of green tabs with pins (A).

They are located near the drawer front and face each other.

One tab is located on each slide, approximately 1 1/2" back from the front of the slide.

Step 2 Notes:

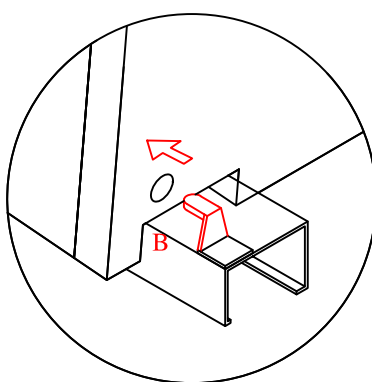
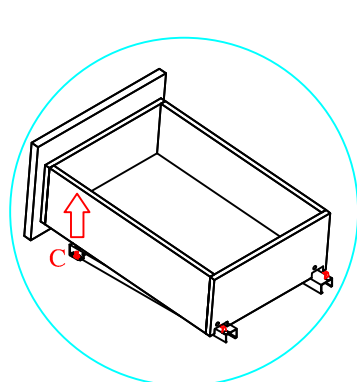
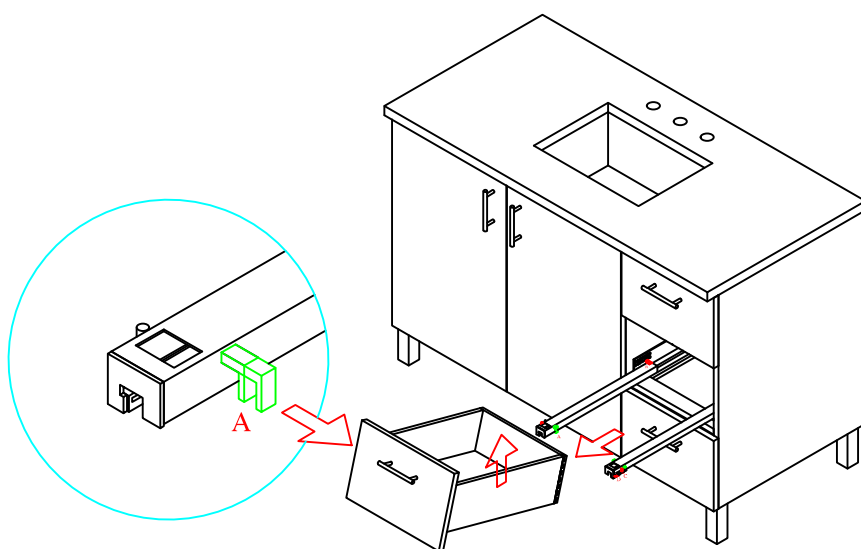
Once you have located the tabs, slowly and gently move them toward each other.

This will unlock the front tab which holds the drawers in place.

Once the tabs are "unlocked" you may gently lift the drawer away from the slides.

Note: there is a pair of pins (B) on top of the slides toward the back of the drawer.

You will need to take care to slowly lift the drawer box up and away from these back pins.





ASSEMBLY INSTRUCTIONS:

Removal and Insertion for Standard Drawers with Undermount Slides.

Visit our Website to see a Video of these drawer instructions:

www.jamesmartinvanities.com Tabs: Knowledge Base / Solutions / Installation and Assembly

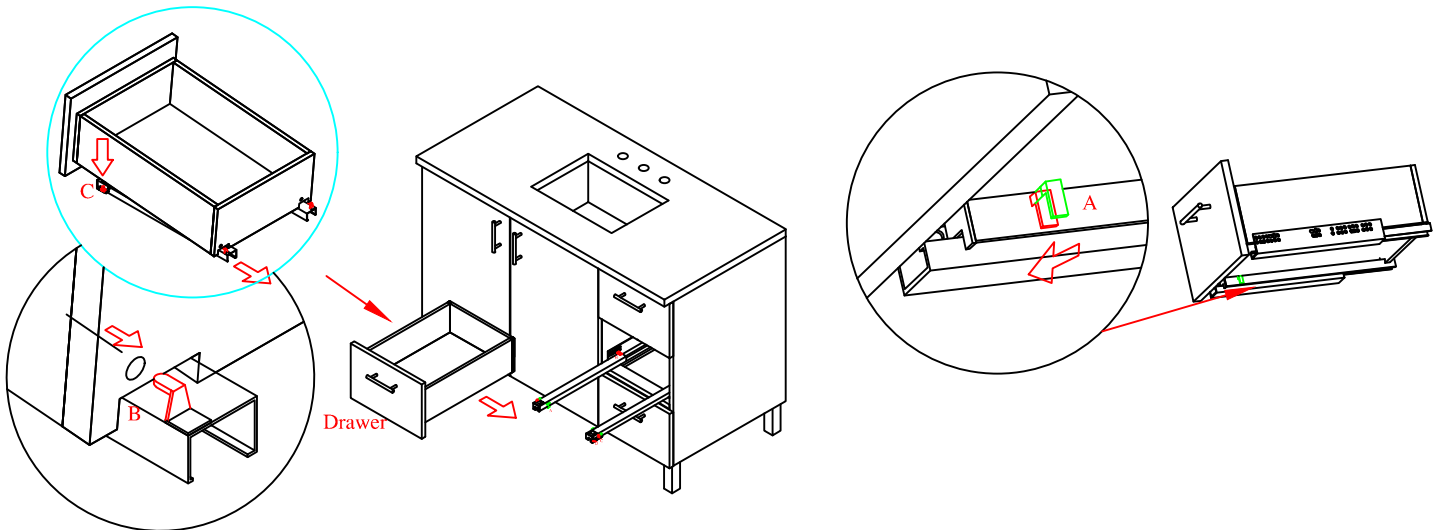
Step 3 Notes:

To insert the drawers, please reverse the order of the notes on page 1.

Fully extend the drawer slides away from the cabinet and slowly and gently place the drawer box onto the extended slides.

Notes: If you look on the bottom of the drawer, you will see the pre-drilled holes toward the back of the drawer box.

Once you have located these holes, please follow the notes in Step 2, and then review Step 1. Notes to reinsert the pins (B) & (A) & (C) and tabs to lock the drawer into the correct position on the slides.



Step 4 Notes:

Please turn the regulating wheels (C) and (D) to adjust the drawer position to match the spacing (alignment) of the other drawers and doors on the cabinet.

