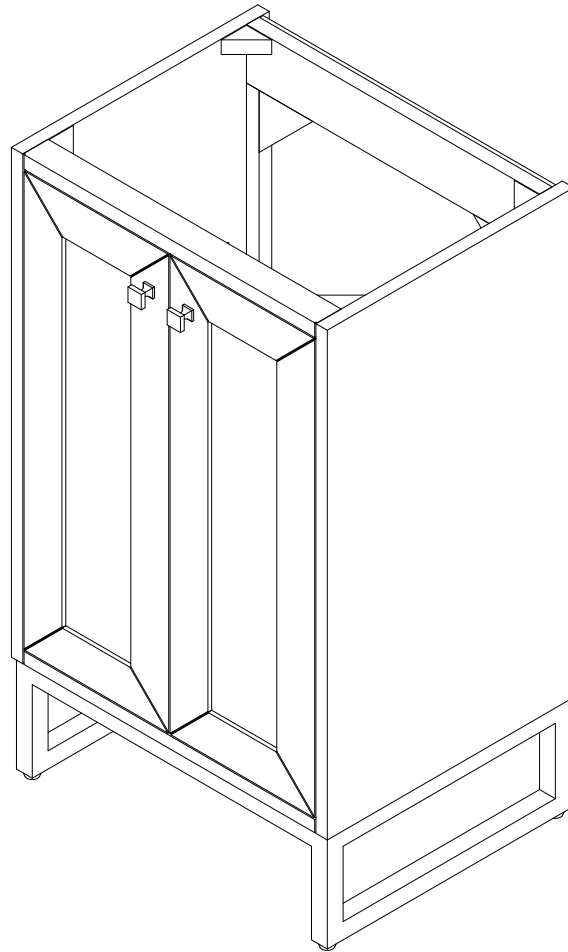

CHIANTI 20" METAL BASE

533-B20-BNK

533-B20-CB

533-B20-MB

ASSEMBLY INSTRUCTION



Thank you for choosing this quality product. Be sure to check all packaging materials carefully for small parts that may have loosened inside the carton during shipment and place on a non-abrasive surface.

IMPORTANT STEPS BEFORE YOU BEGIN:

- For your safety and to achieve the best possible results, James Martin Vanities recommends you consult with a professional contractor.
- These parts can be cumbersome and heavy for some people, therefore the assistance of two or more people is recommended in order to prevent personal injury and ensure the product is not damaged during the assembly process.
- Ensure the vanity cabinet is in place and has been properly installed to meet plumbing codes.
- Shut off the water supply. Water supply and drain access must be in place prior to installing the counter top and sink.
- Ensure the vanity cabinet is level.

CHIANTI 20" METAL BASE

533-B20-BNK

533-B20-CB

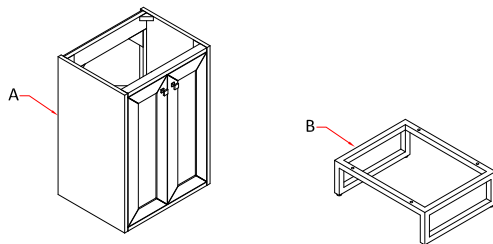
533-B20-MB

ASSEMBLY INSTRUCTION

PART LIST

A. [1] VANITY CABINET

B. [1] METAL BASE



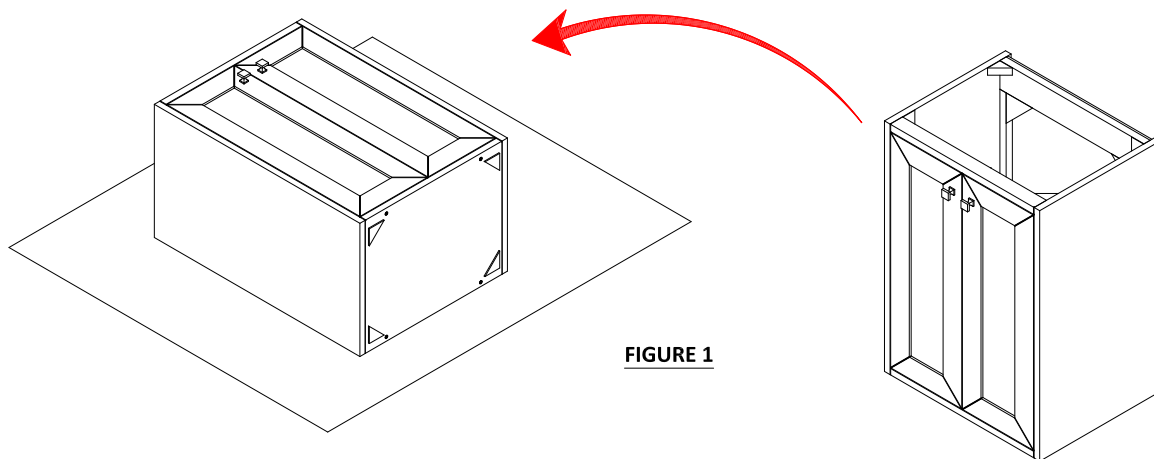
HARDWARE LIST

NO.	SKETCH	DESCRIPTION	SPECIFICATION	QTY.
1		Bolt	¼" x 1 ⅜"	4 pcs.
2		Allen Wrench	L 2 ¼"	1 pc.

ASSEMBLY INSTRUCTIONS

STEP 1: Carefully remove the vanity and all contents from the carton. Check for all contents

STEP 2: Place the vanity cabinet upside down on a blanket or other soft material to prevent scratching. See FIGURE 1.



CHIANTI 20" METAL BASE

533-B20-BNK

533-B20-CB

533-B20-MB

ASSEMBLY INSTRUCTION

- STEP 3: Align and install the metal base (B) to the cabinet by using the bolt (1) provided tighten all the bolts with the Allen wrench (2). See FIGURE 2.
- STEP 4: Turn the assembled furniture to an upright position.
- STEP 5: Check the furniture leveling, if it does not sit level, adjust the leveler on the bottom of the leg, as per illustrated in FIGURE 3.

