

ITEM #: _____ QTY: _____
 MODEL #: _____
 PROJECT NAME: _____

051018

3601 S. Banker St. Effingham, IL 62401 • P.O. BOX 609 • Ph: (888) 431-2667 • Fax: (800) 433-2667

"WAL-PCA" WALNUT BLOCK 10" THICK BLOCK

FEATURES:

- AMERICAN BLACK WALNUT 10" THICK END GRAIN TOP
- STANDARD WITH BOOS BLOCK CREAM FINISH WITH BEESWAX
- L-4 LEGS (PENCIL) STANDARD
- WAL-PCA1, WAL- PCA2, WAL-PCA3: 1 CARTON
- WAL-PCA4, WAL-PCA5: 2 CARTONS
- SEE BASE COLOR SPEC SHEET FOR COLOR OPTIONS
- SHIPPED KNOCKED DOWN
- WAL-PCA1 AND WAL-PCA2 UPSABLE
- OPTIONS: 4 - 3" BLACK LOCKING CASTERS: CAS-RN

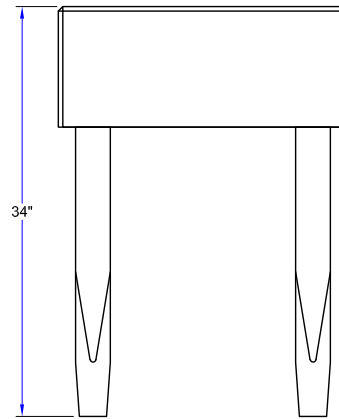
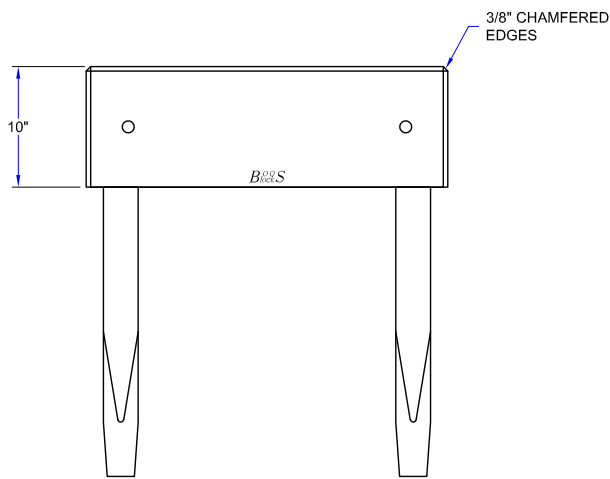
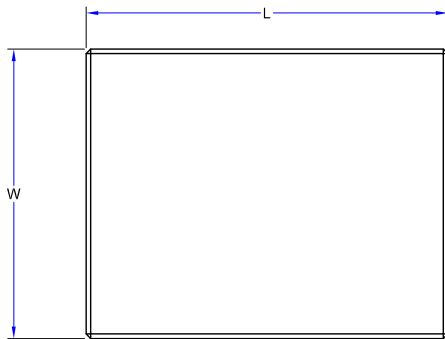


WAL-PCA3

WALNUT BLOCK

MODEL #	QTY
WAL-PCA1	
WAL-PCA2	
WAL-PCA3	
WAL-PCA4	
WAL-PCA5	

DETAILED SPECIFICATIONS



WALNUT BLOCK

MODEL #	SIZE	HEIGHT	WEIGHT (LBS)
WAL-PCA1	18" X 18" X 10"	34"	103
WAL-PCA2	24" X 18" X 10"	34"	127
WAL-PCA3	24" X 24" X 10"	34"	166
WAL-PCA4	30" X 24" X 10"	34"	202
WAL-PCA5	30" X 30" X 10"	34"	238

SOME UNITS SHIP UNASSEMBLED FOR REDUCED SHIPPING COST. ALL DIMENSIONS ARE TYPICAL. TOLERANCE +/- .500"
 John Boos & Co. is constantly engaged in a program of improving products and therefore reserves the right to change specifications without prior notice.



3601 S. Banker St. • Effingham, IL 62401 • PO BOX 609 • quotes@johnboos.com

012618



www.johnboos.com