

ITEM #: _____ QTY: _____
 MODEL #: _____
 PROJECT NAME: _____

021218

3601 S. Banker St. Effingham, IL 62401 • P.O. BOX 609 • Ph: (888) 431-2667 • Fax: (800) 433-2667

"RN-LB" LE BLOC

FEATURES:

- CHERRY END GRAIN TOP
- FACE AND SIDES STANDARD BOOS BLOCK CREAM FINISH WITH BEESWAX
- L-4 LEGS (PENCIL) STANDARD
- SHIPPED IN 1 CARTON: RN-LB1818, RN-LB2418, RN-LB2424
- SHIPPED IN 2 CARTONS: RN-LB3024, RN-LB3030
- RN-LB1818 UPSABLE
- OPTIONS: 3" BLACK LOCKING CASTER: CAS-RN



RN-LB2418

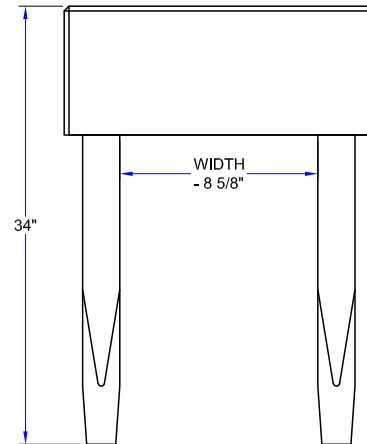
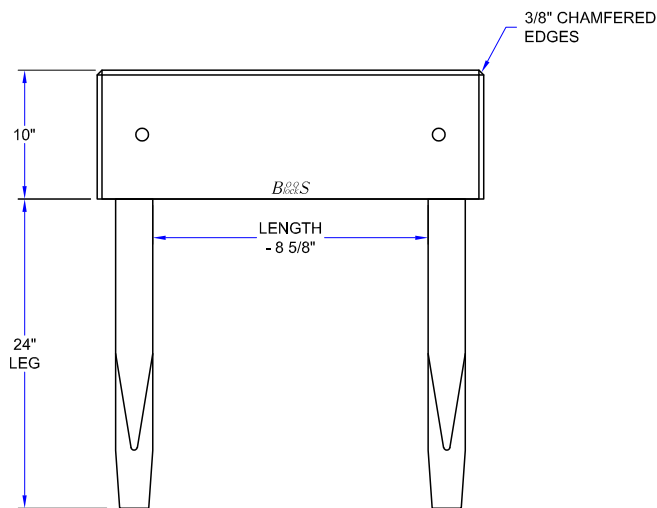
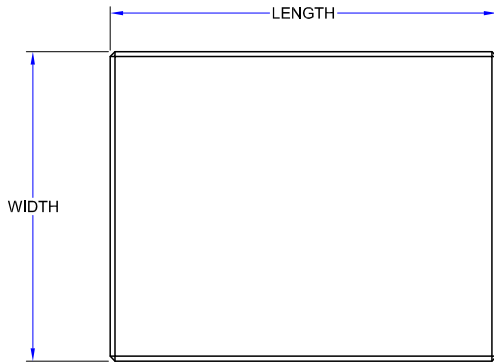


CAS-RN

LE BLOC

MODEL #	QTY
RN-LB1818	
RN-LB2418	
RN-LB2424	
RN-LB3024	
RN-LB3030	

DETAILED SPECIFICATIONS



LE BLOC

MODEL #	SIZE	HEIGHT	WEIGHT (LBS)
RN-LB1818	18" X 18" X 10"	34"	78
RN-LB2418	24" X 18" X 10"	34"	104
RN-LB2424	24" X 24" X 10"	34"	138
RN-LB3024	30" X 24" X 10"	34"	173
RN-LB3030	30" X 30" X 10"	34"	216

SOME UNITS SHIP UNASSEMBLED FOR REDUCED SHIPPING COST. ALL DIMENSIONS ARE TYPICAL. TOLERANCE +/- .500"
 John Boos & Co. is constantly engaged in a program of improving products and therefore reserves the right to change specifications without prior notice.



3601 S. Banker St. • Effingham, IL 62401 • PO BOX 609 • quotes@johnboos.com

021218



www.johnboos.com

185