

ITEM #: _____ QTY: _____
 MODEL #: _____
 PROJECT NAME: _____

051018

3601 S. Banker St. Effingham, IL 62401 • P.O. BOX 609 • Ph: (888) 431-2667 • Fax: (800) 433-2667

"PCA" BLOCK

10" THICK BLOCK

FEATURES:

- NORTHERN HARD ROCK MAPLE 10" THICK END GRAIN TOP
- STANDARD WITH BOOS BLOCK CREAM FINISH WITH BEESWAX
- L-4 LEGS (PENCIL) STANDARD
- TKS WOOD KNIFE HOLDER STANDARD
- PCA1, PCA2, PCA3: 1 CARTON
- PCA4, PCA5: 2 CARTONS
- SEE BASE COLOR SPEC SHEET FOR COLOR OPTIONS
- SHIPPED KNOCKED DOWN
- PCA1 AND PCA2 UPSABLE
- OPTIONS: 4 - 2-1/2" COMMERCIAL GRADE LOCKING CASTERS: CAS03

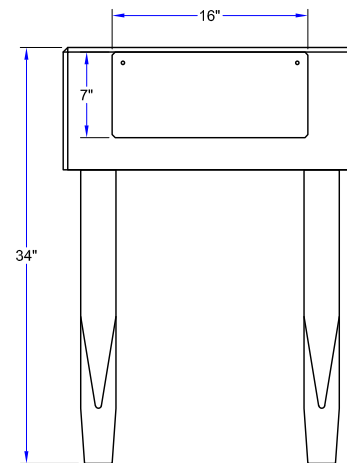
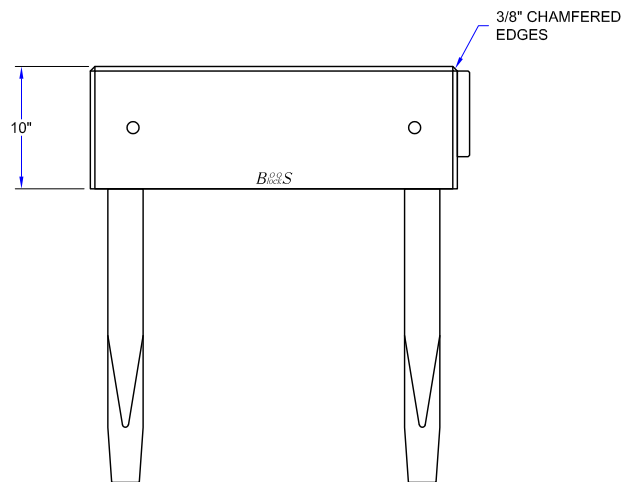
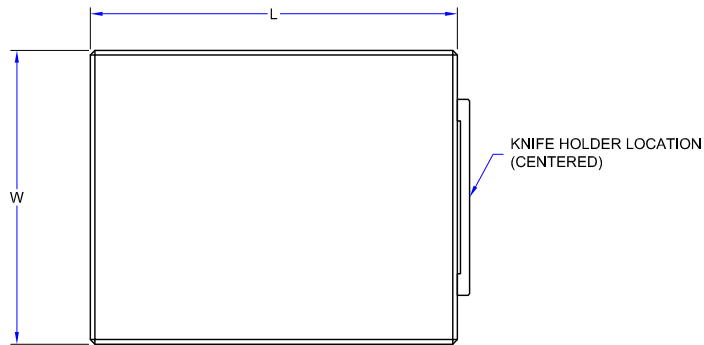


PCA3

"PCA" BLOCK

MODEL #	QTY
PCA1	
PCA2	
PCA3	
PCA4	
PCA5	

DETAILED SPECIFICATIONS



"PCA" BLOCK

MODEL #	SIZE	HEIGHT	WEIGHT (LBS)
PCA1	18" X 18" X 10"	34"	115
PCA2	24" X 18" X 10"	34"	142
PCA3	24" X 24" X 10"	34"	185
PCA4	30" X 24" X 10"	34"	225
PCA5	30" X 30" X 10"	34"	266

SOME UNITS SHIP UNASSEMBLED FOR REDUCED SHIPPING COST. ALL DIMENSIONS ARE TYPICAL. TOLERANCE +/- .500"
John Boos & Co. is constantly engaged in a program of improving products and therefore reserves the right to change specifications without prior notice.



3601 S. Banker St. • Effingham, IL 62401 • PO BOX 609 • quotes@johnboos.com

041218



www.johnboos.com