

Patents received or pending.

Note: Dimensional Tolerances: $\pm 1/4"$

Cartoned Weight:
Cube:

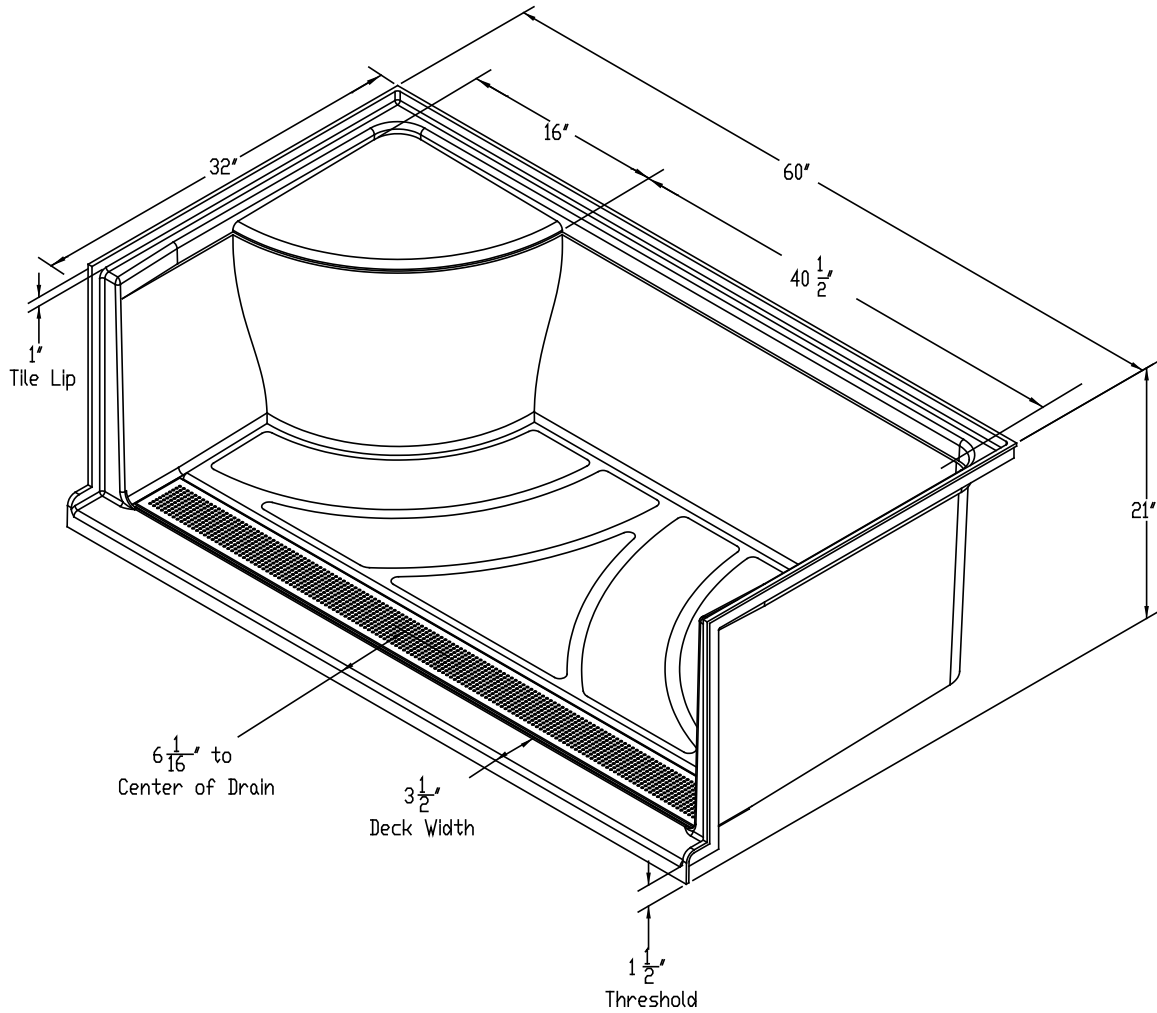
81 lbs
28.1 cu. ft.

Construction: Reinforced acrylic shell mounted on Level-Form™ pre-leveled full support base.

SPECIFICATIONS

TZ3260 Shower Base

with left seat



Patents received or pending.

Note: Dimensional Tolerances: $\pm 1/4"$

Cartoned Weight:
Cube:

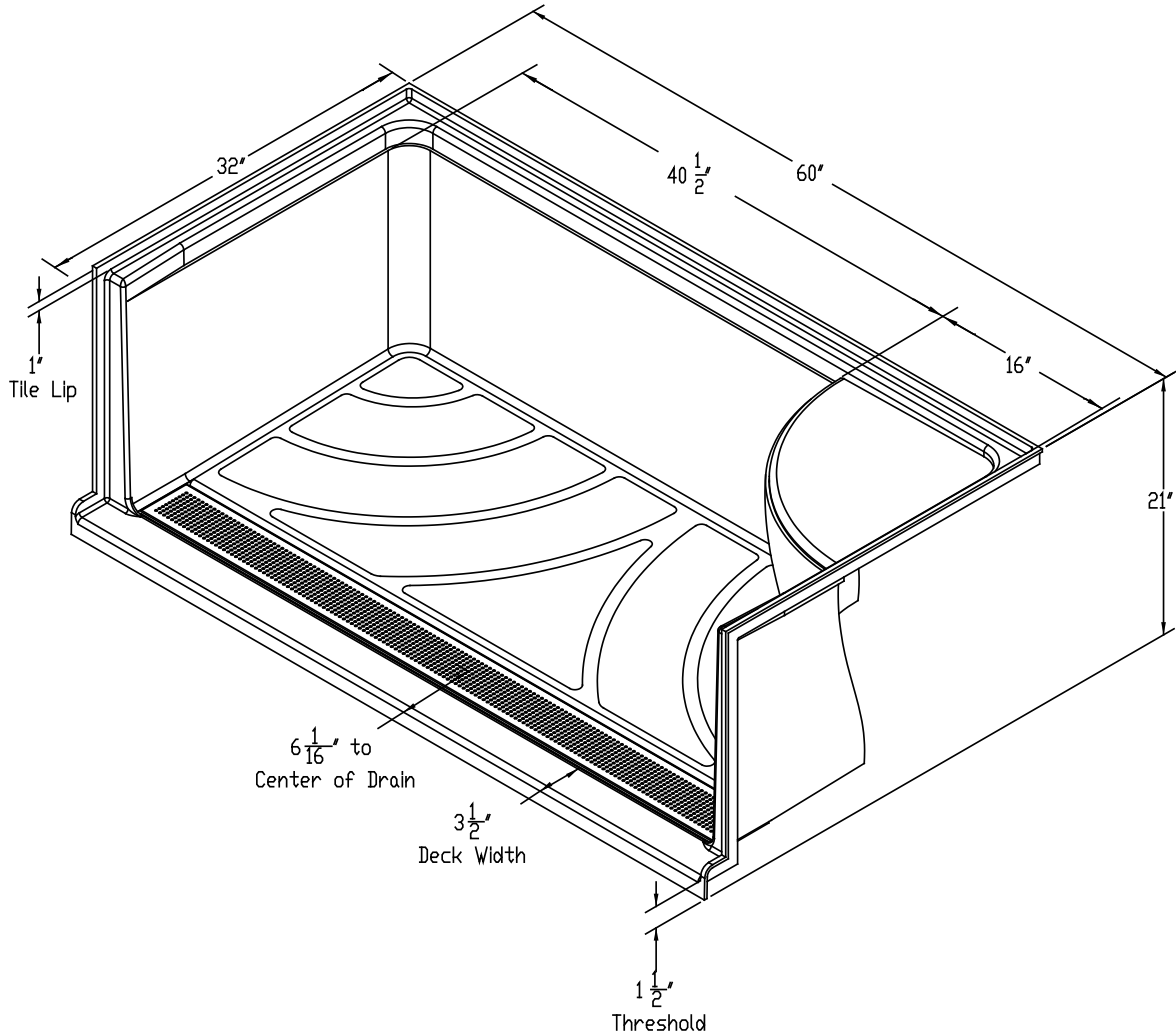
81 lbs
28.1 cu. ft.

Construction: Reinforced acrylic shell mounted on Level-Form™ pre-leveled full support base.

SPECIFICATIONS

TZ3260 Shower Base

with right seat



Patents received or pending.

Note: Dimensional Tolerances: $\pm 1/4$ "

Cartoned Weight:

81 lbs

Cube:

28.1 cu. ft.

Construction: Reinforced acrylic shell mounted on Level-Form™ pre-leveled full support base.