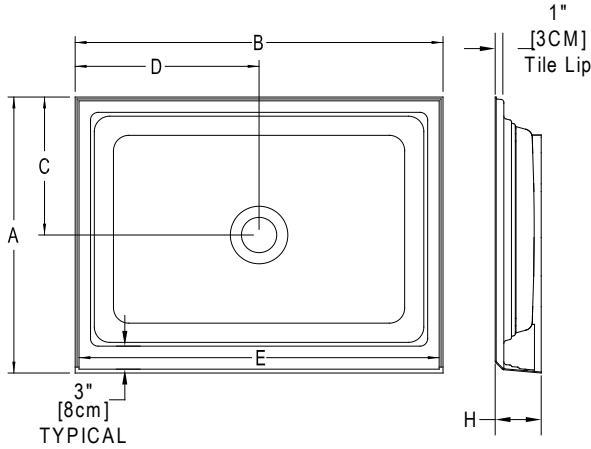


SPECIFICATIONS

SB Series Shower Bases

SINGLE THRESHOLD SHOWER BASE



FEATURES:

- * Tile-in lip to accommodate encased tile installation.
- * Textured bottom.

OPTIONS:

- * Shower drain kit in Polished Chrome, Bright Brass and Brushed Nickel.

Base Model	Dimensions (Inches)						Shipping Weight
	A	B	C	D	E*	H	
SB3648S	36	48	17.31	24	47.25	6	50 lbs.
SB3660S	36	60	17.31	30	59.25	6	60 lbs.

*Allow for finish wall thickness.

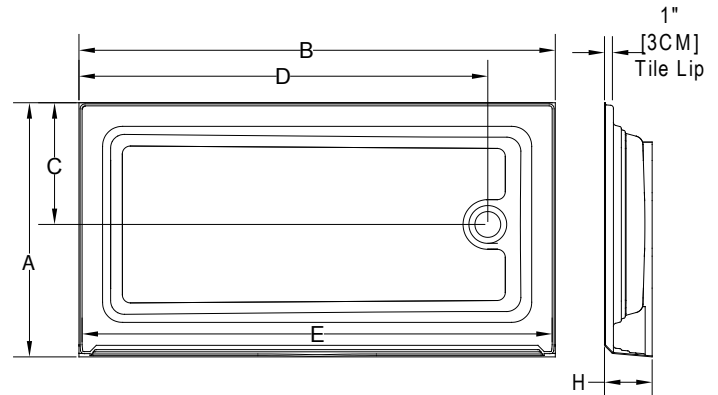
END DRAIN LEFT or RIGHT SHOWER BASE

FEATURES:

- * Tile-in lip to accommodate encased tile installation.
- * Textured bottom.

OPTIONS:

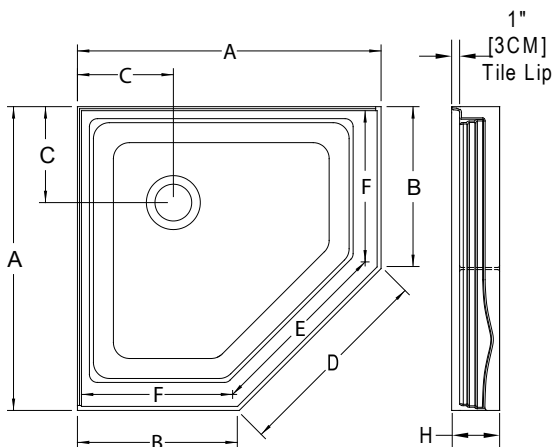
- * Shower drain kit in Polished Chrome, Bright Brass and Brushed Nickel.



Base Model	Dimensions (Inches)						Shipping Weight
	A	B	C	D	E*	H	
SB3260 S-R	32	60	15.25	8.5	57	6	48 lbs.
SB3260 S-L	32	60	15.25	51.5	59	6	48 lbs.

*Allow for finish wall thickness.

NEO-ANGLE SHOWER BASE



FEATURES:

- * Tile-in lip to accommodate encased tile installation.
- * Textured bottom.

OPTIONS:

- * Shower drain kit in Polished Chrome, Bright Brass and Brushed Nickel.

Base Model	Dimensions (Inches)							Shipping Weight
	A	B	C	D	E*	F*	H	
SB4242N	42	22	13.75	28.38	26.13	20.38	6.0	44 lbs.
SB4848N	48	25.38	16	32	30.25	23.13	6.0	50 lbs.

*Allow for finish wall thickness.