

# JASON<sup>®</sup>

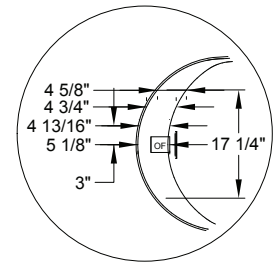
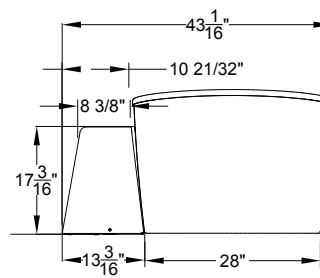
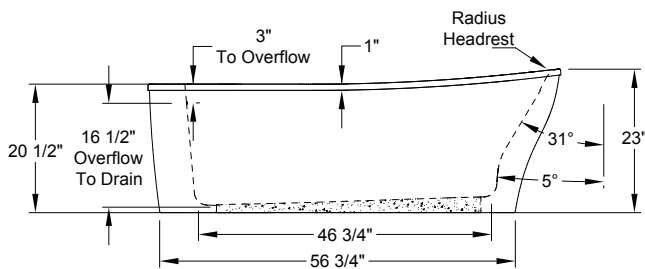
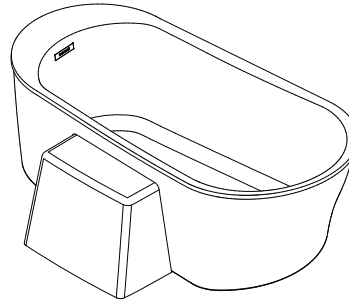
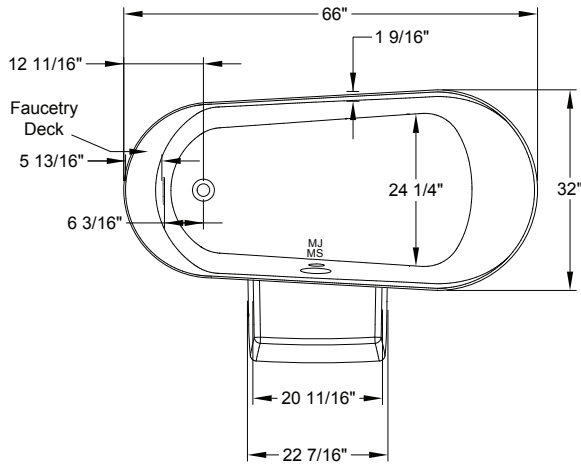
HYDROTHERAPY

8328 MacArthur Dr. • North Little Rock, AR 72118  
 501.771.4477 • Fax: 501.771.2333  
 Customer Service: 800.255.5766  
 www.jasoninternational.com

## forma<sup>®</sup> Collection Specifications

# HE5527PS

### MicroSilk<sup>®</sup>



Faucety Deck Flat Dimensions

Patents received or pending.

Includes Linear Overflow Drain Assembly




Note: Dimensional Tolerances: ±1/4"

<b>Drop-in-Hole Size:</b>	N/A
<b>Operating Capacity:</b>	39 Gal.
<b>Overflow Capacity:</b>	81 Gal.
<b>Floor Loading / sq.ft.</b>	61.8 lbs.
<b>Carton Wt.:</b>	184 lbs.
<b>Cube:</b>	36.5 ft. <sup>3</sup>

Acrylic Equipment Cabinet is standard and required on MicroSilk<sup>®</sup> baths.

**Construction:** Fiberglass reinforced acrylic bath with Level Form<sup>™</sup> full-support base.

*We provide products listed with Intertek ETL SEMKO (Edison Testing Laboratories) U.S. and Canadian and with International Association of Plumbing and Mechanical Officials (IAPMO). Consult factory with your listing requirements.*

<b>Standard</b>	 <p>A 120V system that includes a MicroSilk<sup>®</sup> unit, an electronic control, and a 20-minute timer.</p>
<b>Premier</b>	 <p>A 120V system that includes a MicroSilk<sup>®</sup> unit; (2) Chromatherapy mood lights; Automatic Ozone System; an electronic control; and a 20-minute timer.</p>
<b>Signature</b>	 <p>A 120V system that includes a MicroSilk<sup>®</sup> unit; (2) Chromatherapy mood lights; Automatic Ozone System, a digital control with LCD display; low water level and temperature sensors; enhanced user control options, a 20-minute timer; and Bluetooth Sound Immersion System. Control keypad controls the MicroSilk<sup>®</sup> unit, LED Chromatherapy mood lights, and shows equipment status, water temperature, and time remaining.</p>