

“TO BE REMOVED FOR USE BY THE OCCUPANT.”

Jason International, Inc.

8328 MacArthur Drive
North Little Rock, AR 72118
www.jasoninternational.com
MADE IN THE U.S.A.



49-1012-006
Date 05/2021

OWNER'S MANUAL

Designer Collection Freestanding Baths
INSTALLATION, OPERATION AND MAINTENANCE



If the carton shows sign of damage, inspect the product before accepting and describe the problem on the Bill of Lading.

ALL WARRANTY CLAIMS ON ACRYLIC SURFACE DAMAGE MUST BE MADE PRIOR TO INSTALLATION.

Inspect plumbing and bath surface for missing or damaged components. Alert your dealer of any discrepancies.

INSPECTION

Inspect the unit prior to installation. In the event of a problem, DO NOT install the unit.

All components are factory assembled to the bath and the unit is water tested and inspected prior to leaving Jason International, Inc.

NOTE: Transportation and insurance from Jason's factory are the buyer's responsibility.

Damage sustained in transit is the responsibility of the carrier. If damage is discovered, the carrier must be immediately notified in writing with a request for a representative to inspect the unit. Failure of the carrier to respond should be reported to the seller and carrier. Always file a freight claim promptly.

The installer is responsible for insuring that the unit is free from defects or shipping damage. **In the event of a problem, DO NOT install the unit.**

Jason International is not responsible for damage that might have been avoided by inspection or testing prior to installation.

Damage to the unit during installation will not be covered by warranty and is the responsibility of the installer.

To protect the unit from damage keep the bath in the carton until ready for installation.

EQUIPMENT ACCESS

In accordance with Building Codes, service access to all hydrotherapy bath equipment, controls and electrical connections must be provided during installation **(Recommended minimum 28" x 17" [71 x 43 cm])**. Insufficient access will hinder repair and maintenance. Warranty service will not cover costs of providing equipment access.

The Specification Sheet for this bath contains additional technical information. This sheet can be provided by your dealer or accessed online at www.jasoninternational.com.

OWNER'S RECORD

Dealer: _____

Date Purchased: _____

Date Installed: _____

Installer: _____

**PLACE SERIAL NUMBER CARD WITH
PRODUCT CONFIGURATION IN THIS BOX**

IMPORTANT SAFETY INSTRUCTIONS

INSTRUCTIONS PERTAINING TO THE RISK OF FIRE, ELECTRIC SHOCK, OR INJURY TO PERSONS.

This manual contains information and instructions for proper operation and maintenance of your therapy bath. Failure to follow these instructions could result in personal injury, electrical shock, or fire.

WARNING: When using this unit, basic precautions should always be followed, including the following:

READ AND FOLLOW ALL INSTRUCTIONS CAREFULLY

DANGER: TO REDUCE THE RISK OF INJURY FOLLOW THESE PRECAUTIONS:

- A. **DANGER:** To reduce the risk of injury, do not permit children to use this unit unless they are closely supervised at all times.
- B. Use this unit only for its intended use as described in this manual. Do not use attachments not recommended by the manufacturer.
- C. The water in a therapy bath should never exceed 104°F (40°C). Water temperatures between 100°F (38°C) and 104°F (40°C) are considered safe for a healthy adult. Use time should be limited to approximately 30 minutes, followed by a shower to cool down. Longer exposures may result in hyperthermia.
- D. Hyperthermia occurs when the internal temperature of the body reaches a level several degrees above the normal body temperature of 98.6°F (37°C). The symptoms of hyperthermia include an increase in the internal temperature of the body, dizziness, lethargy, drowsiness, and fainting. The effects of hyperthermia include:
 - a) Failure to perceive heat;
 - b) Failure to recognize the need to exit the hydromassage bathtub;
 - c) Unawareness of impending hazard;
 - d) Fetal damage in pregnant women;
 - e) Physical inability to exit the hydromassage bathtub; and
 - f) Unconsciousness resulting in the danger of drowning.

WARNING – The use of alcohol, drugs, or medication can greatly increase the risk of fatal hyperthermia

- E. The use of drugs or alcoholic beverages before or during therapy bath use may lead to unconsciousness with the possibility of drowning. Never use the therapy bath while under the influence of alcohol, anticoagulants, stimulants, antihistamines, vasoconstrictors, vasodilators, hypnotics, narcotics, or tranquilizers.
- F. Lower water temperatures are recommended for extended use (exceeding 10 -15 minutes) and for young children.
- G. Since excessive water temperatures have a high potential for causing fetal damage during the early months of pregnancy, pregnant or possibly pregnant women should limit therapy bath water temperatures to 100°F (38°C).
- H. Persons with a medical history of heart disease, low or high blood pressure, circulatory system problems, or diabetes should consult a physician before using a therapy bath.
- I. Persons using medication should consult a physician before using a therapy bath since some medication may induce drowsiness while other medication may affect heart rate, blood pressure, and circulation.

DANGER: To reduce the risk of injury, enter and exit the bath slowly. Do not operate this unit unless the suction cover is attached over the suction inlet fitting and the jet assemblies are installed. There should be at least two (2) inches of water above the highest jet location during therapy bath operation. **NEVER RUN UNIT DRY.**

WARNING: Never operate electrically connected devices in or near the bath. Never drop or insert any object into any opening.

This unit must be connected to a supply circuit that is protected by a GFCI. Such a device should be installed by a licensed electrician and should be tested on a regular basis (at least monthly). To test the GFCI push the **TEST** button. The GFCI should interrupt the power.

Push the **RESET** button and the power should be restored. If the GFCI fails to operate in this manner, there is the possibility of an electric shock. **DO NOT USE.** Disconnect the unit and have the problem corrected by a qualified service technician.

To avoid the possibility of personal injury and discoloration of the acrylic surface, the inlet water temperature should not exceed 40°C (104°F). The bath should be drained after each use. Each bather should start their bath with fresh water. Do not use oil base additives in your therapy bath.

CAUTION: Do not use harsh abrasives or solvents for cleaning this unit.

INSTALLER/OWNER BEARS ALL RESPONSIBILITY TO COMPLY WITH ALL STATE AND LOCAL CODES WHEN INSTALLING THIS PRODUCT

SAVE THESE INSTRUCTIONS

CONSIGNES DE SÉCURITÉ IMPORTANTES

INSTRUCTIONS RELATIVES AU RISQUE DE FEU, CHOC ÉLECTRIQUE, OU DE BLESSURE.

Ce manuel contient des informations et des instructions pour le bon fonctionnement et l'entretien de votre bain thérapeutique. Ne pas suivre ces instructions cela pourrait entraîner des blessures corporelles, un choc électrique ou un incendie.

AVERTISSEMENT: Lors de l'utilisation de cet appareil, des précautions de base doivent toujours être suivies, y compris les suivantes:

LIRE ET SUIVRE TOUTES LES INSTRUCTIONS ATTENTIVEMENT

DANGER: POUR RÉDUIRE LE RISQUE DE BLESSURES suivre ces précautions:

- A. **DANGER:** Pour réduire le risque de blessures ne permettez pas aux enfants d'utiliser cette unité à moins qu'ils ne soient étroitement surveillés en tout temps.
- B. Utiliser cet appareil uniquement pour son usage prévu, comme décrit dans ce manuel. Ne pas utiliser d'accessoires non recommandés par le fabricant.
- C. L'eau dans un bain thérapeutique ne doit jamais dépasser 40°C. Les températures de l'eau entre 38°C et 40°C sont considérées comme sans danger pour un adulte en bonne santé. Le temps d'utilisation devrait être limité à environ 30 minutes, suivi d'une douche pour se refroidir. Des expositions plus longues peuvent entraîner une hyperthermie.
- D. L'hyperthermie survient lorsque la température interne du corps atteint plusieurs degrés au-dessus de la température corporelle normale de 37°C. Les symptômes de l'hyperthermie comprennent une augmentation de la température interne du corps, des étourdissements, de la léthargie, de la somnolence et des évanouissements. Les effets de l'hyperthermie comprennent:
 - a) incapacité à percevoir la chaleur;
 - b) Défaut de reconnaître la nécessité de sortir de la baignoire d'hydromassage;
 - c) L'ignorance des dangers imminents;
 - d) Dommages fœtaux chez les femmes enceintes;
 - e) incapacité physique de sortir de la baignoire d'hydromassage; et
 - f) Inconscience entraînant le danger de noyade.
- E. Des températures d'eau plus basses sont recommandées pour une utilisation prolongée (plus de 10-15 minutes) et pour les jeunes enfants.
- F. Puisque les températures excessives ont un potentiel élevé pour les fœtus durant les premiers mois de la grossesse, les femmes enceintes ou possiblement enceintes doivent limiter la température de l'eau de bain de traitement à 38°C.
- G. Personnes ayant des antécédents de maladie cardiaque, d'hypotension ou d'hypertension artérielle, de troubles circulatoires ou de diabète doivent consulter un médecin avant d'utiliser un bain de thérapie.
- H. Les personnes utilisant des médicaments devraient consulter un médecin avant d'utiliser un bain de thérapie puisque certains médicaments peuvent induire la somnolence tandis que d'autres peuvent affecter le rythme cardiaque, la pression artérielle et la circulation.

DANGER: Pour réduire le risque de blessures, entrer et sortir du bain lentement. Ne pas utiliser cet appareil si le couvercle d'aspiration est monté sur l'entrée de raccord d'aspiration et les ensembles de jet sont installés. Il devrait y avoir au moins deux (2) pouces d'eau au-dessus de l'emplacement du jet le plus haut pendant le fonctionnement du bain de traitement.
JAMAIS RUN appareil au sec.

AVERTISSEMENT: Ne jamais faire fonctionner les appareils connectés électriquement à ou près de la baignoire. Ne jamais laisser tomber ou insérer un objet dans une ouverture.

Cet appareil doit être relié à un circuit d'alimentation qui est protégé par un disjoncteur différentiel. Un tel dispositif doit être installé par un électricien agréé et doit être testé sur une base régulière (au moins mensuellement). Pour tester le GFCI appuyez sur le bouton **TEST**. Le GFCI doit interrompre l'alimentation. Appuyez sur le bouton **RESET** et le courant devrait être rétabli. Si le disjoncteur ne fonctionne pas de cette manière, il ya la possibilité d'un choc électrique. **NE PAS UTILISER.** Débranchez l'appareil et faire corriger le problème par un technicien qualifié.

Pour éviter le risque de blessures et de la décoloration de la surface acrylique, la température de l'eau d'entrée ne doit pas dépasser 40°C (104°F). Le bain doit être vidé après chaque utilisation. Chaque baigneur doit commencer leur bain à l'eau fraîche. Ne pas utiliser d'additifs à base d'huile dans votre bain de thérapie.

Tous les codes d'état et locaux doivent être respectés lors de l'installation de cette unité.

CONSERVER CES INSTRUCTIONS

Cautionary Warnings (English/French)

CAUTION: Ambient temperature under the bath where equipment is installed must not exceed 122°F (50°C).

WARNING: Any modification to the equipment is not recommended and will void the Manufacturer's warranty.

DANGER - RISK OF ELECTRIC SHOCK: Connect only to a circuit protected by a Ground Fault Circuit Interrupter (GFCI). In the unlikely occurrence of a current imbalance in the power conductors, the GFCI will interrupt the power to the bath.

WARNING: The electrical service to the GFCI must not be interrupted by any control device. Likewise, the electrical service from the GFCI to the bath control should be direct and not interrupted by a switch. Never use a switch in conjunction with a control device.
This will VOID THE MANUFACTURER'S WARRANTY.

DANGER - Do not alter the factory installed wiring. All building materials and wiring should be routed away from the equipment or other heat-producing components of the unit.

CAUTION: Keep hair, towels, and clothing away from the suction fitting whenever the equipment is On. Never operate the equipment with the suction cover off, doing so voids the manufacturer's warranty--it is a safety cover designed to eliminate the potential of hair and body entrapment.

WARNING: Before operating refer to the instructions at the end of this owner's manual pertaining to the risk of fire, electric shock, or injury to persons.

WARNING: Avoid high humidity levels in your home. Mold, mildew, fungi and bacteria which may be harmful to health thrive in areas with continued high humidity levels; therefore, every precaution should be taken to make sure your plumbing fixtures including bathtubs, therapy baths, or showers do not become a source of high humidity due to improper installations or leaks.

WARNING: Always turn off power at the main electrical service panel when servicing the bath

CAUTION: Risk of Electric Shock - -Two disconnect switches are required to de-energize the unit before servicing. [For baths requiring two circuits]

CAUTION: Not Suitable for Field-Installed Heater

ATTENTION: la température ambiante sous la baignoire où l'équipement est installé ne doit pas dépasser 50°C.

AVERTISSEMENT : Toute modification de l'équipement n'est pas recommandé et annulera la garantie du fabricant.

DANGER - RISQUE DE CHOC ÉLECTRIQUE : Connecter uniquement à un circuit protégé par un disjoncteur (GFCI). Dans l'éventualité peu probable d'un déséquilibre de courant, le GFCI coupera le courant du bain.

AVERTISSEMENT : Le service électrique au GFCI ne doit pas être interrompu par un dispositif de contrôle. De même, le service électrique du GFCI au contrôle de bain doit être direct et ininterrompu par un contrôleur. Ne jamais utiliser un commutateur en conjonction avec un dispositif de commande.
Cela annulera la garantie du fabricant.

DANGER - Ne pas modifier le câblage installé en usine. Tous les matériaux de construction et câblage doivent être éloignés de toutes sources de chaleur modérées par le bain.

ATTENTION : Garder les cheveux, les serviettes et les vêtements à distance du raccord d'aspiration lorsque l'appareil est allumé. Ne jamais faire fonctionner l'équipement avec l'aspiration couvrir off, cela annule la garantie - c'est un dispositif de sécurité conçu à éviter l'occlusion du corps et des cheveux.

AVERTISSEMENT: Avant d'opérer le bain consulter les instructions à la fin de ce manuel concernant les risques d'incendie, de choc électrique ou de blessure ce propriétaire.

AVERTISSEMENT: Évitez les hauts niveaux d'humidité dans votre maison. Les Moisissures, champignons et certaines bactéries peuvent être nocifs pour la santé et se développer dans ces zones; par conséquent, toutes les précautions doivent être prises pour vous assurer que votre plomberie, y compris les baignoires, bains thérapeutiques, ou les douches ne deviennent pas une source de forte humidité due à une mauvaise installation ou de fuites.

AVERTISSEMENT: Toujours couper l'alimentation électrique au panneau de service électrique avant la maintenance.

ATTENTION : Risque de choc électrique - Deux interrupteurs de déconnexion sont nécessaires pour mettre l'unité hors tension avant l'entretien. [Pour les bains nécessitant deux circuits]

ATTENTION: Ne convient pas aux appareils de chauffage installés sur le terrain

FEATURES, CONTROLS AND OPERATING INSTRUCTIONS

INTRODUCTION

This manual contains all of the information needed for the proper installation and operation for your Jason bath. The bath has been designed to give you years of relaxing trouble-free service, provided the unit is maintained and operated in accordance with these instructions.

Thoroughly clean and disinfect the unit as described in the **CLEANING** section of the **USER MAINTENANCE INSTRUCTIONS** section of this owner's manual before its first use and periodically thereafter.

CAUTION: Keep hair, towels and clothing away from any installed suction fitting whenever the equipment is ON. Never operate the equipment with the suction cover off, doing so voids the manufacturer's warranty—it is a safety cover designed to eliminate the potential of hair and body entrapment.

All Jason baths are pre-plumbed at the factory.

WARNING: Before operating, refer to the instructions at the beginning of this owner's manual pertaining to the risk of fire, electric shock or injury to persons.

Filling and Draining

Close the drain and fill the bath with water to the desired level (at least two (2) inches (50mm) above the jet). The inlet temperature should not exceed 104°F (40°C). When bath is in use, turn the unit OFF before draining the water. The bath unit and its plumbing are designed to drain after each use whether used as a hydrotherapy bath, soaking bath, or just taking a shower.

NOTE: If the unit fails to operate, check the breaker panel to ensure that the circuit breaker is on. Check the GFCI by testing and resetting it. If the unit still fails to operate, refer to the Trouble Shooting Guide section of this manual. If the unit still fails to operate and is out of warranty, contact an authorized service technician for repair. If the unit is within the warranty period, contact JASON Technical Services at 800-255-5766. **DO NOT ATTEMPT TO RESOLVE THE PROBLEM.**

FEATURES

Jason offers the finest in soaking hydrotherapy baths but also offers the option for more hydrotherapy choices with Jason MicroSilk® or AirMasseur® therapy units. Please consult your product configuration label on the front of this manual to learn what hydrotherapy experiences await you.

MICROSILK® FEATURES

Jason's MicroSilk hydrotherapy bath supersaturates the water with negatively charged, oxygen-rich microbubbles which gives your skin new life. This results in increased oxygen levels which promotes healthy skin cell growth, neutralizes free radicals and encourages healing of scar tissue formation.

MicroSilk® Unit

The MicroSilk unit generates the oxygen-rich microbubbles that fill the bath. MicroSilk units provided on Jason baths are factory tested after installation on the bath.

MicroSilk® Port

A strategically placed MicroSilk port is provided for complete enjoyment of your bath. The port can also be used to connect an optional MicroSilk Shower Wand.

Standard Edition MicroSilk®

The Jason Standard Edition MicroSilk hydrotherapy includes the Microbubble Generator unit, an electronic control and a 20-minute timer.

Premier Edition MicroSilk®

The Jason Premier Edition MicroSilk hydrotherapy provides all the features of the Standard Edition with the included benefits of a digital control with LCD-display readout, an LED Chromatherapy mood light, and an Automatic Ozone Sanitation system.

Signature Edition MicroSilk®

The Jason Signature Edition MicroSilk hydrotherapy provides all the benefits of the Premier Edition as well as low water/temperature sensors and Jason's Bluetooth Sound Immersion system.

AIRMASSEUR® FEATURES

Jason's AirMasseur hydrotherapy bath fills the bath with millions of warm air bubbles to create a blanket of rolling movement, gently massaging your skin. This results in an enhanced sense of calm and relaxation as you receive a delicate, full body massage.

AirMasseur® Blower

The blower generates warm air and pushes it through the strategically placed air jets. Blowers provided on Jason baths are factory tested after installation on the bath.

AirMasseur® Automatic Purge

Twenty (20) minutes after the control has shut off, the blower will start again for a two minute purge cycle that dries the air channel. Refer to the OPERATING INSTRUCTIONS section for further details regarding the Automatic Purge.

Standard Edition AirMasseur®

The Jason Standard Edition AirMasseur hydrotherapy includes a variable-speed 1-HP air blower with heater, three (3) massage modes: Continuous, Wave or Pulse, automatic purge cycle, an electronic control and a 20-minute timer.

Premier Edition AirMasseur®

The Jason Premier Edition AirMasseur hydrotherapy provides all the features of the Standard Edition with the included benefits of a digital control with LCD-display readout, an LED Chromotherapy mood light, and an Automatic Ozone Sanitation system.

Signature Edition AirMasseur®

The Jason Signature Edition AirMasseur hydrotherapy provides all the benefits of the Premier Edition as well as low water/temperature sensors and Jason's Bluetooth Sound Immersion system.

STANDARD EDITION ELECTRONIC CONTROLS



MicroSilk® [MS]



AirMasseur® [AM]

ICONS



POWER Icon



LED Icon (Optional)



AIRMASSEUR Icon (AM)



Blower SPEED Icon (AM)



MICROSILK Icon (MS)

STANDARD EDITION OPERATING INSTRUCTIONS

One main control touchpad mounted on the bath features several icons used by the bather to control the bath. This section will outline the functions of the system when a particular icon is pressed. If the icon is lit WHITE, then that particular option is available to operate. If the icon is lit BLUE, that particular option is currently in operation.

Unless otherwise indicated an ON/OFF function will take place with a single press on the button icon. Some functions may require the use of a long press. A built-in timer shuts off the therapy equipment twenty (20) minutes after being activated.

Standby Mode In Standby Mode, no icons will be lit so only the JASON logo and non-lit Power icon can be seen. If the keypad is ON but there has been no activity for one (1) hour, the keypad will revert to Standby Mode.

POWER Icon



The POWER icon will activate the keypad.

- Once pressed, all available option icons will light WHITE and the POWER icon will light BLUE.
- Press and hold for two (2) seconds to turn off all equipment and return to Standby Mode.

LED Icon



The LED icon will operate the Chromatherapy Mood Lighting system. The LED system will operate for 2 hours before turning OFF.

- Once pressed, the icon will turn blue and the LED lights will begin a SLOW FADE mode between all the colors.
- A single press of the icon will progress the light to the next mode or color.
- Order of Colors: Slow Fade Mode, Color Step (changes each second), Purple, Green, Red, Blue, Yellow, White then Off.

MICROSILK® Icon



The MICROSILK icon is used to activate the MicroSilk unit and the 20-minute timer.

- Once pressed, the microbubble generator will start and the icon will turn BLUE.
- Pressing the icon again will shut the unit OFF and the icon will turn WHITE.
- Starting the MicroSilk unit will turn OFF any other therapy equipment running at that time.

AIRMASSEUR® Icon



The AIRMASSEUR icon is used to activate the blower and the 20-minute timer.

- CONSTANT Mode will start with the first press and the icon will turn BLUE.
- WAVE Mode will start with the next press, indicated by a slow flash of the icon.
- PULSE Mode will start with the next press, indicated by a rapid flash of the icon.
- Pressing the icon again will shut the blower OFF and the icon will turn WHITE.
- Starting the AirMasseur will turn OFF any other therapy equipment running at that time.
- Once the system returns to Standby mode, the icon will flash GREEN to indicate a purge countdown. After twenty (20) minutes the blower will turn on for two (2) minutes to allow the plumbing lines to drain. This will be indicated by the AIRMASSEUR icon turning solid GREEN. This purge cycle can be canceled by pressing and holding the power button for five (5) seconds.

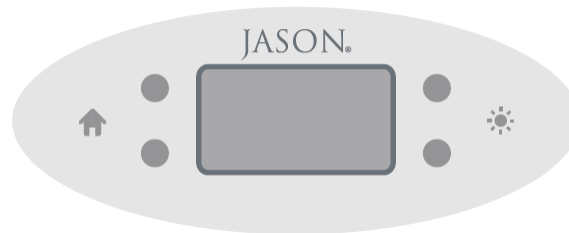
Blower SPEED Icon



The SPEED icon is used to increase or decrease the blower speed once the blower is ON.

- Press and hold the icon to decrease the blower speed until the desired intensity is reached, then release.
- Press and hold the icon again to increase the blower speed until the desired intensity is reached.
- The POWER icon will flash red once the high or low speed limit has been reached.
- The blower will return to the highest speed on any mode change.

DIGITAL KEYPAD ELECTRONIC CONTROLS



ICONS



HOME Icon



LED Icon



AIRMASSEUR Icon (AM)



Blower SPEED Icon (AM)



Blower MODE Icon (AM)



MICROSILK Icon (MS)

DIGITAL KEYPAD OPERATING INSTRUCTIONS

The digital keypad mounted on the bath features an LCD readout, which will indicate the water temperature (+/-5°F, Signature Edition only), time remaining, as well as various other functions. The control keypad features several icons used by the bather to control the bath. This section will outline the functions of the system when a particular icon is pressed. Press the HOME icon to turn on the system.

The display will show various icons, pressing the button beside the icon on the screen will select that icon. Unless otherwise indicated an ON/OFF function will take place with a single press on the button icon. Some functions may require the use of a long press. A built-in timer shuts off the therapy equipment twenty (20) minutes after activation; this time is customizable in the USER SETTINGS MENU.

Customized User Settings Menu

The digital keypad offers many features that can be customized through the Settings Menu. To access this menu, make sure the keypad is off. Then press the home button to display the splash screen. While the splash screen is displayed, press and hold the LED icon to enter into the Settings Menu.

A menu will be displayed to choose the following (dependent on therapy type ordered):

- Product Test Diagnostics
- Temperature (°F or °C, Signature Edition Only)
- Purge 24 (starts the AirMasseur blower every 24 hours for two (2) minutes at the time the purge was set)
- Cycle Time (adjust the therapy time between 20, 40 or 60 minutes)
- Blower Setting (adjust the minimum and maximum AirMasseur blower speed settings)
- Display Contrast (adjust the contrast settings of the display)
- Menu Exit.

Menu Instructions

Use the arrows to navigate the different options available and select the check mark to choose that option. For example, press the button beside the up arrow to change from Product Test to the Temperature option. Select the check mark to enter the Temperature Menu. Use the arrows to change the temperature display from Fahrenheit (°F) to Celsius (°C). Once the change has been made, use the arrows to navigate to MENU EXIT to leave the Settings Menu.

Product Test Diagnostics

After selecting the Product Test option from the menu, the unit will perform a series of tests to confirm correct installation of components. The test will begin by displaying the software revision number. Select the check mark to proceed to the next test. Next, each of the six (6) buttons will begin to light. Press the illuminated button to proceed to the next icon. After the icon tests, the LED light units will be tested. Select the check mark to verify the appropriate Red, Green, or Blue color. For Signature baths, the display will then test the Temperature and Low Water level sensor (ITW-209) by indicating the current temperature and whether water has been detected in the bath. Next, the auxiliary control box (if applicable) will be tested to ensure proper IR communication. If you receive an error on any of the tests, confirm proper installation of components to the correct control box. (See CONTROL BOX CONNECTIONS section)

Standby Mode

In Standby Mode, no icons will be lit. If the keypad is ON but there has been no activity for one (1) hour, the keypad will revert to Standby Mode.

Main Status Screen

While equipment is running, the screen will display the status of the system. The active therapy status, temperature and time remaining will be shown.

Icon Functions

HOME Icon



The HOME icon will activate the keypad.

- From Standby mode, once pressed, the icon will turn blue and the display will show the splash screen (when applicable), then the available therapy choices.
- While equipment is running, pressing the HOME icon will return to the MAIN STATUS Screen.
- Press and hold for two (2) seconds to turn off all equipment and return to Standby Mode.

LED Icon



The LED icon will operate the Chromotherapy Mood Lighting system. The LED system will operate for 2 hours before turning OFF.

- A first press of the icon will show the current LED status, color and time remaining.
- On the next press, the icon will turn blue and the LED lights will begin a SLOW FADE mode between all the colors.
- A single press of the icon will progress the light to the next mode or color.
- Press and hold the icon to cycle through the FADE mode, release the icon to choose any custom color. This will set the chosen color as the CUSTOM color option.
- Order of Colors: Off, Slow Fade, Stepping, Purple, Green, Red, Blue, Orange, White, Custom then Off.

MICROSILK® Icon (MS)



The MICROSILK icon is used to activate the MicroSilk unit and the 20-minute timer.

- Once pressed, the microbubble generator will start and the icon will turn BLUE.
- Pressing the icon again will shut the unit OFF and the icon will turn WHITE.
- Starting the MicroSilk unit will turn OFF any other therapy equipment running at that time.

AIRMASSEUR® Icon (AM)



The AIRMASSEUR icon is used to activate the blower and the 20-minute timer.

- CONSTANT Mode will start with the first press and the icon will turn BLUE.
- Pressing the icon again will shut the blower OFF and the icon will turn WHITE.
- Starting the AirMasseur will turn OFF any other therapy equipment running at that time.
- Once the system returns to Standby mode, the purge timer will be displayed. After twenty (20) minutes, the blower will turn on for two (2) minutes to allow the air channel to dry. This will be indicated with "DRY CYCLE RUNNING" displayed. This purge cycle can be canceled by pressing the blue icon next to "CANCEL" on the display.

Blower SPEED Icons (AM)



The SPEED icons are used to increase or decrease the blower speed once the blower is ON.

- Press to enter into the blower speed menu.
- Press and hold the - icon to decrease the blower speed until the desired intensity is reached.
- Press and hold the + icon to increase the blower speed until the desired intensity is reached.
- Press the button once to change the speed by one, Press and hold to increase the speed change increments.
- The blower will recall the chosen speed on any mode change but will reset to full speed after the system is powered off.

Blower MODE Icon (AM)



The MODE icon is used to change performance modes once the blower is ON.

- WAVE Mode will start with the first press, indicated by the blower speed rising and lowering in a wave fashion.
- PULSE Mode will start with the next press, indicated by the blower speed rising and lowering in an on/off fashion.
- CONSTANT Mode will return with the next press of the icon button.

USER MAINTENANCE INSTRUCTIONS

HUMIDITY

WARNING: Avoid high humidity levels in your home. Mold, mildew, fungi and bacteria which may be harmful to health thrive in areas with continued high humidity levels; therefore, every precaution should be taken to make sure your plumbing fixtures, including bathtubs, hydrotherapy baths or showers do not become a source of high humidity due to improper installations or leaks.

To avoid having your plumbing fixtures become a source of unwanted humidity, please make sure the following steps are taken prior to installation.

1. Make sure the area where the bathtub or shower is installed is well vented and allows enough ventilation and air circulation to dry the bathroom environment within a short time after taking a bath or shower.
2. If your bath or shower unit is tiled-in, use units with an integral tile flange or make sure a tile flange kit or similar mechanical barriers is installed to prevent shower spray, splash or overflow to leak behind the bathtub.
3. Make sure the plumber properly tests your hydrotherapy bath before it is roughed in to make sure there are no leaks and it is installed with proper access to bath equipment.
4. Make sure that all the plumbing and fixtures in the bathroom are in good working order and have no leaks.
5. Do not use carpeting or other material or furniture which can hold moisture in your bathroom.
6. Use disinfectant to clean any bathroom surfaces which are regularly exposed to moisture.
7. Clean and disinfect humidifier and dehumidifiers as recommended by the manufacturer. Replace the air filter on the HVAC unit once a month.
8. Clean moldy surfaces as soon as any mold appears by using a detergent/soapy solution and appropriate household cleaner. Always use gloves during cleaning. Dispose of any sponges or rags used to clean mold.

CLEANING

With minimum care, your acrylic-surfaced bath will retain its high-luster finish for many years. For regular cleaning use Jason Bath Cleaner or a mild **NON-ABRASIVE** liquid detergent solution (i.e. glass cleaner) and a soft, wet cloth or sponge. Do not run the hydrotherapy system with foaming cleaners or soaps. Rinse the bath thoroughly after cleaning.

SURFACE MAINTENANCE

Area with minor scratches or dull surfaces can be restored by applying commercially available plastic polish (i.e. Novus Plastic Polish No. 2, available at your Jason dealer), followed by an application of acrylic paste wax. Buff the surface with a clean soft cloth. Do not use sandpaper, steel wool or abrasive rubbing compounds.

If scratches are too deep to rub out, or if the damage penetrates the acrylic surface, consult your dealer for recommendations on surface repair.

AIR HEATER AND AIR TEMPERATURE

The air heater incorporated into the air blower is designed to preheat the incoming air to body temperature, not to heat the bath water. The air heater automatically comes on when the air blower is activated. Even though all air baths provide preheated air, occasionally some people with sensitive skin might experience a cold air sensation. This sensation is caused by the swiftly moving heated air bubbles blowing on the wet skin. This phenomenon can be related to the use of a fan for cooling on a hot day. While the ambient temperature does not change, the moving air makes you feel cooler. Avoiding this cold air sensation is among the reasons Jason avoids placing air jets directly beneath the body. If you experience a cool air sensation, which is most noticeable during the first few minutes of an air bath, simply move your body slightly away from the closest jets.

FLUSHING / SANITIZING

Upon start-up and not to exceed 90 days, your bath and plumbing system should be flushed. To do so, close the drain and fill the bath with warm water to at least two (2) inches [5.1cm] above the highest jet. Pour in Jason Bath System Cleaner and follow the directions on the bottle. **DO NOT** use bleach or other chlorinated cleansers directly on the metal trim.

REPAIR

Refer all plumbing or electrical repair to a qualified service technician. **DO NOT ATTEMPT TO RESOLVE THE PROBLEM.** This can result in danger of electrical shock or damage to the unit and will **VOID THE WARRANTY.** Remember, when contacting your dealer or service representative; always have your serial number, proof of purchase and model number. This will ensure a quick response on warranty items. The serial number can be found on the front page of this manual or on the small card adhered to the underside of the bath just above the equipment.

ALL WARRANTY REPAIRS MUST BE AUTHORIZED BY THE MANUFACTURER BEFORE WORK IS STARTED.

INSTALLATION INSTRUCTIONS

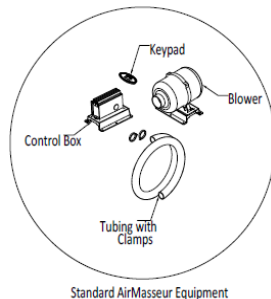
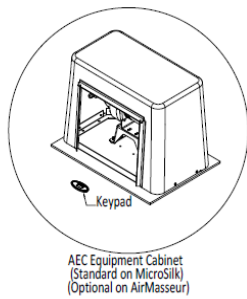
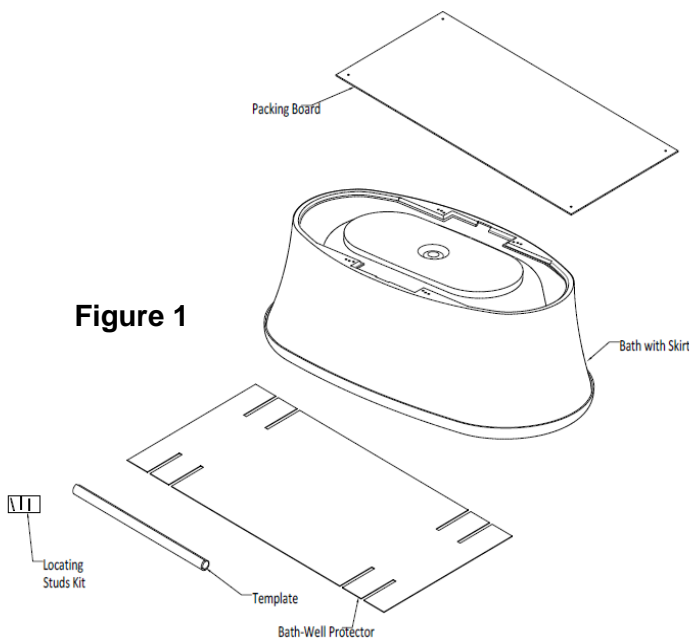
INSTALLATION

Remove the product from its packaging. **Read the entire instructions prior to installing this product.**

See the USER MAINTENANCE INSTRUCTIONS section of this owner's manual prior to installation for humidity and mold prevention suggestions.

1. **Remove the packing board from the skirt** by placing the bath with skirt assembly upside down and remove the four press-in fasteners. **See Figure 1.**
2. **Set aside the template and hardware kit**, these will be used later.

Caution: Place bath deck on a surface that will not scratch the acrylic surface of the bath.



For AirMasseur® baths, remove the blower with stand, check valve, tubing with (2) clamps and electronics from the separate blower carton. Set aside to be installed later.

For baths with the AEC Equipment Cabinet, ensure there is 20" clearance from any wall to the edge of the bath template where the cabinet will be located. Set the AEC carton aside to be installed later.

3. **Cardboard bath-well protector.** Each bath is provided with a cardboard bath-well protector that should be kept in the unit throughout the bathroom construction process.
4. **For a floor or wall mounted faucet, be sure to install the faucet to allow for sufficient overhang into the well of the bath.** This will ensure an unobstructed water flow out of the faucet when filling the bath. Follow the faucet manufacturer's installation instructions.

Note: Overflow drains, fill spouts, and valves must be installed according to the instructions herein.

5. **Installation template.** An installation template is provided to locate the floor drain position, sump area position, skirt mount locations, remote blower tubing floor cutout position (when applicable), water inlet stub-out position and skirt center lines. Tape the template to the sub-floor in the desired location.
6. **Mark on the sub-floor** the sump area position, the water inlet stub-out position, and the remote blower-tubing floor cut out position (when applicable).
7. **Remove the template and cut out the floor.**

CAUTION: The floor drain location must be installed according to the template. This location is critical to the proper installation of this product.

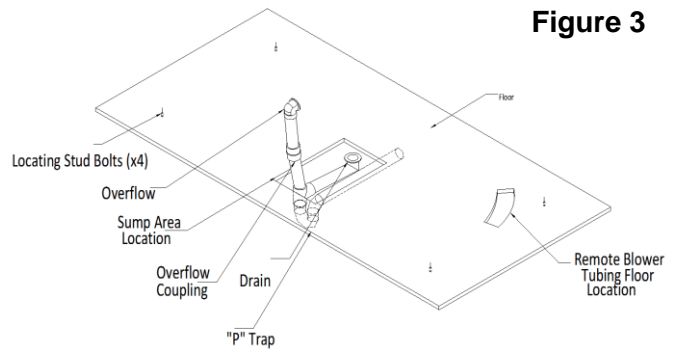
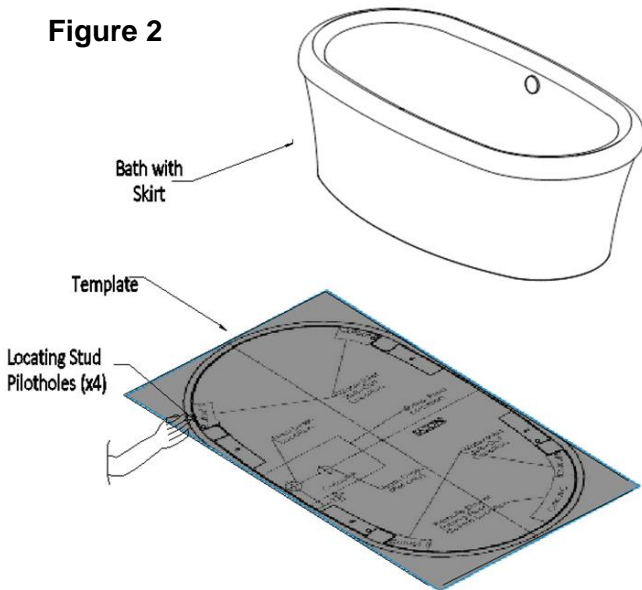
Note: You must keep the template; it will be needed during the next step of the installation process.

8. Use the template to verify the four (4) locating stud holes on the bottom of the skirt.
 9. After the finished floor is installed, position the installation template on the finished floor. Place the template to line up with the existing floor drain location and orient the template to the desired position.

Note: The sump area location cutout and remote blower tubing floor location cutout (when applicable), and water inlet stub-out must line up with the template.
 10. Tape the template to the finished floor; using care to align both center lines and assure that the template is lying flat on the floor.
 11. Transfer the center lines of the template to the finished floor and use the template to locate where to drill the pilot holes for the four locating studs. If installing on a wooden floor, 1/4" holes are required and a 5/16" nut to install the locating studs. When installing on a cement slab, 3/8" holes are required. See Figure 3.
- CAUTION: Use a marker that can be removed from the finished floor after installation.**
12. Remove the template for the floor.

Install the locating studs into the four (4) positions on the floor. See Figure 3.

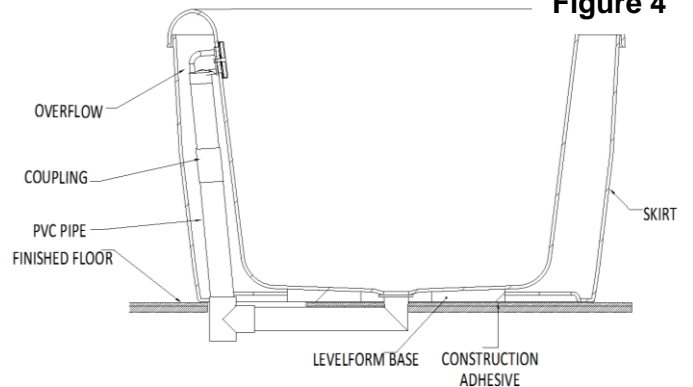
Figure 2



- 13.
14. **Drain and Overflow.** Use the 1-1/2" coupling, which is pre-attached to the bath and lengthen the overflow pipe to the desired length. Then attach the drain to the bath.
15. **Remote Mounting of the Blower.** If the blower for the AirMasseur bath is to be remote mounted, refer to the **REMOTE MOUNTING OF AIR BLOWER** section of this manual before proceeding to the next step.
16. **Route cables.** When applicable, route any electronic cables through the floor cutout and make the appropriate connections to the control box. See the **CONTROL BOX CONNECTIONS** section of this manual for locations.
17. **Jason baths are designed to be supported at the base of the bath.** If the floor is smooth and level, the bath's level form base will provide proper drainage and support. See Figure 4

Note: Do not use a sand bed to install or level the bath.

Figure 4



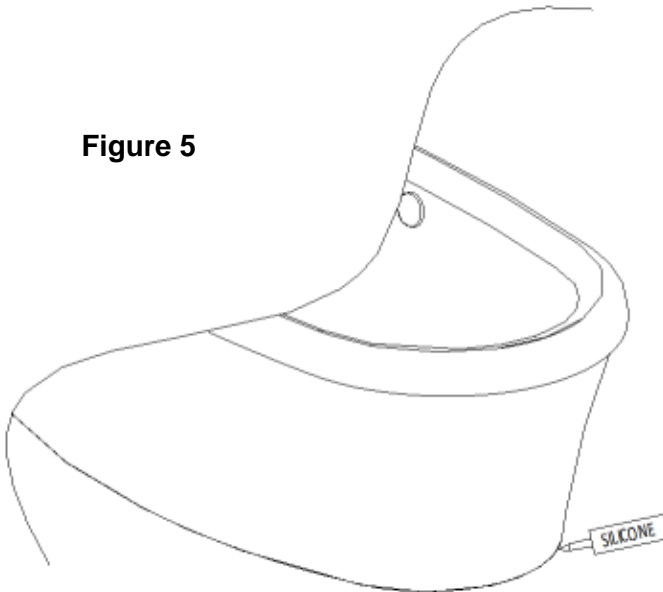
18. **Below the floor installation.** Apply construction adhesive to the level form base if desired. Position the bath in place. From below the floor, connect the drain to the 'P' trap.

19. **If there is no access below the floor**, use two 2x4 boards to raise the bath above the floor and align the drain with the 'P' trap. Apply construction adhesive to the level form base and sealant to the 'P' trap. Carefully remove the 2x4 boards and lower the bath so the drain fits into the 'P' trap.
20. **Test all connections for leaks** and allow (24) hours before use.
21. **Drain and Overflow.** Complete the installation of the drain and overflow per the instructions included with the drain and overflow.
22. **Test bath controls.** Before finishing the installation, it is recommended that the bath controls be tested without filling the bath with water to assure that all electric connections are properly working.

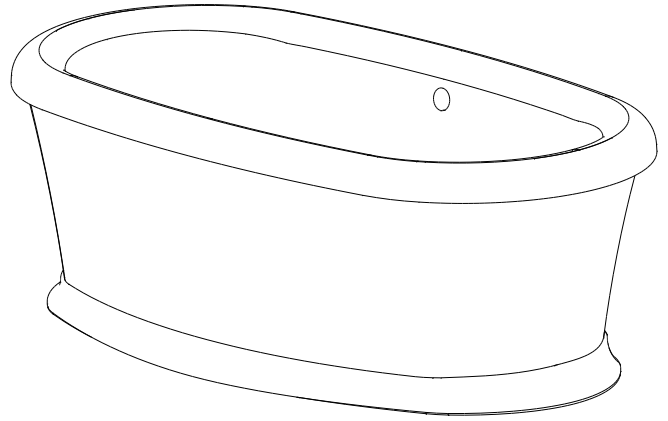
Note: Refer to the Electrical section for correct installation of electrical components.

Note: Refer to the Product Test Diagnostics in the Operating, Features, and Controls section for testing.
23. It is recommended that the bath be water tested (filled and operated), and the bath be inspected for leaks. Refer to the **FILLING AND DRAINING** Instructions in the Features and Controls section of this owner's manual.
24. Seal the joint between the skirt bottom and the floor with a silicone caulk. **See Figure 5**

Figure 5



Optional Pedestal Skirt Ring Base



An optional ring base for the pedestal skirt can be ordered with the bath. The base will be factory installed onto the skirt and the installation of the bath will be the same with or without the ring base.

If desired, silicone caulk can be applied between the ring base and the skirt.

ELECTRICAL INSTALLATION

These instructions are written assuming 60Hz, 120V power supply. Verify the electrical requirements of the bath unit before installation. Refer to the equipment labels for voltage and frequency requirements.

Note: This bath is designed for indoor use only. The electrical equipment must not be exposed to direct or indirect water or moisture contact. The electrical equipment must also be protected from dust and other airborne debris before, during and after installation.

A licensed electrician must provide the “dedicated” electrical service protected by a GFCI. The location of the GFCI must be at least five (5) feet [152cm] away from the inside surface of the bath, accessible for regular testing. Use copper conductors only.

DANGER - RISK OF ELECTRIC SHOCK: Connect only to a circuit protected by a Ground Fault Circuit Interrupter (GFCI). In the unlikely occurrence of a current imbalance in the power conductors, the GFCI will interrupt the power to the bath.

WARNING: The electrical service to the GFCI must not be interrupted by any control device. Likewise, the electrical service from the GFCI to the bath control should be direct and not interrupted by a switch. Never use a switch in conjunction with a control device. This will VOID THE MANUFACTURER’S WARRANTY.

The pumps are supplied with an electrical bonding lug to allow connection of a solid copper bonding conductor between the unit and other electrical equipment and exposed metal in the area as may be required by local code. **Note:** The air blower’s exterior housing is made of all plastic materials and does not require a bonding conductor.

Grounding is required. The unit should be installed by a qualified service representative and properly grounded.

Install the service connection at least six (6) inches [15cm] above the sub floor.

All local and state electrical and plumbing codes must be observed. Where there are no local codes, the National Electric Code (NEC) and Uniform Plumbing Code (UPC) shall be observed. It is the responsibility of the installer/owner to determine specific code compliance prior to installation of the product.

Note: In the Commonwealth of Massachusetts, installation is to be done by a Massachusetts licensed plumber.

DANGER - Do not alter the factory installed wiring. All building materials and wiring should be routed away from the equipment or other heat-producing components of the unit.

CONTROL BOX CONNECTIONS

All power cords must be connected into the proper 20 amp 120VAC GFCI dedicated circuit for the system. All controls should be located to permit access for inspection and servicing. Depending on the options ordered on the bath, more than one outlet may be required.

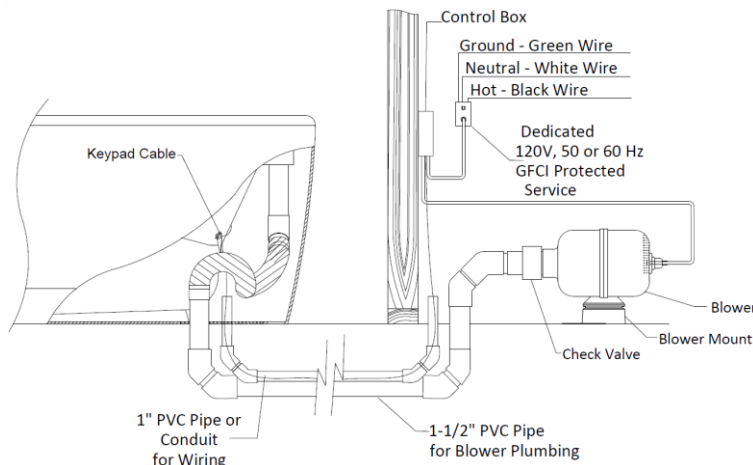


Figure 6- Below Floor Installation

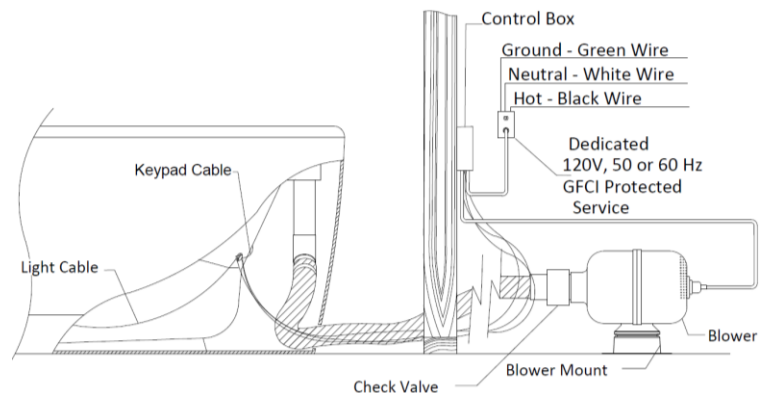


Figure 6a- Above Floor Installation

REMOTE MOUNTING OF AIR BLOWER

The Jason AirMasseur® system has been factory installed following ETL/UL Standard safety guidelines. During installation, if remote mounting of the air blower is desired or required, the following procedures should be followed.

Note: Do not remote mount the blower more than 15 feet [4.5m] away from the air inlet of the bath. Choose a location as close as possible to the bath to ensure maximum efficiency.

1. The installer must determine the layout of the piping; exact remote mount location; and service access before beginning any work. Use 1.5" ABS or PVC plastic tubing. Locate the control box with the blower in an area accessible for servicing.

Note: A 15 foot extension cable set can be purchased from your Jason supplier, if needed. To ensure proper functioning of the system, avoid remote mounting in a location which requires more than six (6) piping direction changes. A 90° direction change should be made up of two 45° elbows for maximum efficiency.

2. Install the blower and control box in the remote location. The remote mount location ambient air temperature should remain at approximately 72°F [22°C] for optimum air heating.
3. A minimum ventilation opening of 2" x 4" [5x10cm] for the AirMasseur blower is required. It should be designed to draw in indoor ambient air at a minimum of 72°F [22°C].
4. The blower mount should be attached firmly to the floor.

5. Use screws to attach the pipe to the check valve and route the hose to the remote blower tubing floor cutout location. **CAUTION:** Do NOT use ABS or PVC glue near the blower, it could ignite and cause a fire.
6. Extend piping stub-out through the floor as illustrated in **Figure 8**. Piping between the remote blower location and the bath can be insulated using a minimum of ½" [13mm] thick insulation. Attach new piping to the elbow of the existing piping.
7. Attach one end of the blower hose to the bath connection with the included clamp.

WARNING: Any modification to the equipment is not recommended and will void the Manufacturer's warranty.

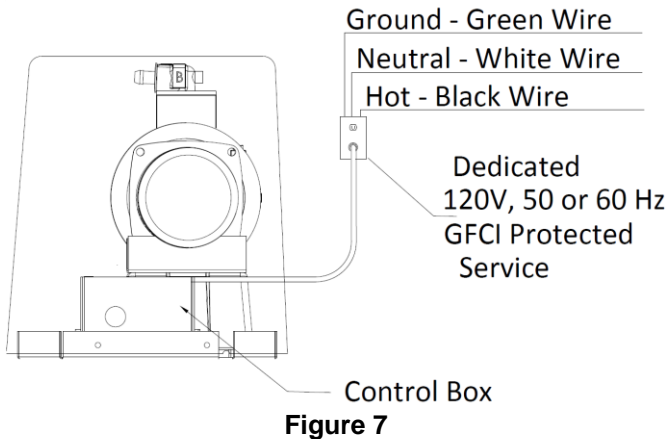
8. Attach the other end of the hose to the PVC pipe that is plumbed to the blower with the included clamp.
9. Route the electronic cables through the floor cutout to be connected to the control box.

WARNING: When routing cables, do not allow the cable to be pinched under the bath shell.

NOTE: A minimum of 4 feet [122cm] of hose and cable must be free from binding to allow for pulling the cables back up through the floor cutout.

10. During installation if it is preferred to run the blower hose on top of the floor, a 2-1/2" [6.35cm] diameter hole can be drilled at the bottom of the skirt. A means to cover the hole, hose and wires is not provided. See **Figure 6a**
11. Return to the bath installation section to finish installation of the freestanding bath.

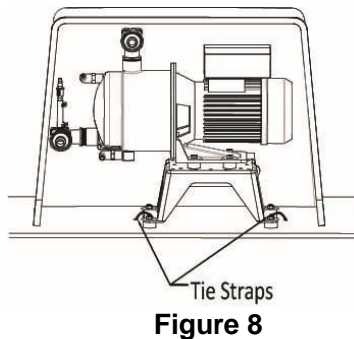
ACRYLIC EQUIPMENT CABINET INSTALLATION



The Jason Acrylic Equipment Cabinet (AEC) can be used to house the bath equipment that cannot be remote mounted away from the bath. The cabinet is standard on freestanding MicroSilk® baths and is available as an option for freestanding AirMasseur® baths.

For MicroSilk baths, the equipment will be shipped separate from the bath with the cabinet. To install the cabinet follow the procedures included with the AEC assembly packaging

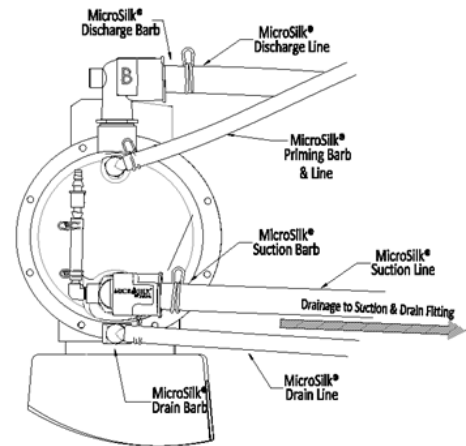
1. Remove the preassembled AEC assembly from the carton and detach all components from the packing board. **See Figure 8**



2. Place the equipment in front of the bath skirt opening and attach all the plumbing and electrical connections.

Note: The electrical service can be provided inside or outside the enclosure. Refer to the **Electrical** section of the bath installation manual for service requirements.

3. For MicroSilk baths, clamp the plumbing lines to the appropriate barb using the clamps provided. Assure the line will allow proper drainage to the bath fitting. The hose must have a continuous drop from the barb to the fitting. **See Figure 9**



MicroSilk® Pump
Connections
Figure 9

4. Fill the bath and test all connections for leaks.
5. Align the cabinet with the opening and slide the cabinet into the opening until it is flush against the bottom of the freestanding skirt. **See Figure 10**

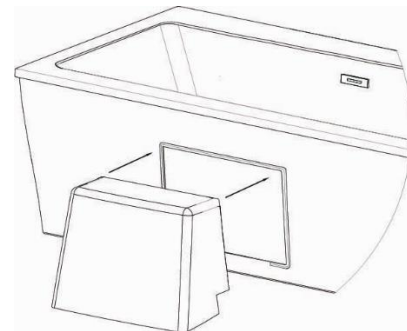


Figure 10

6. The extrusion trim can be slightly moved to help fill any gaps between the cabinet and the bath skirt. **See Figure 11**

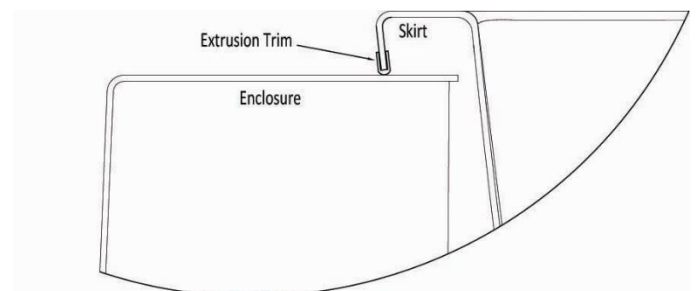
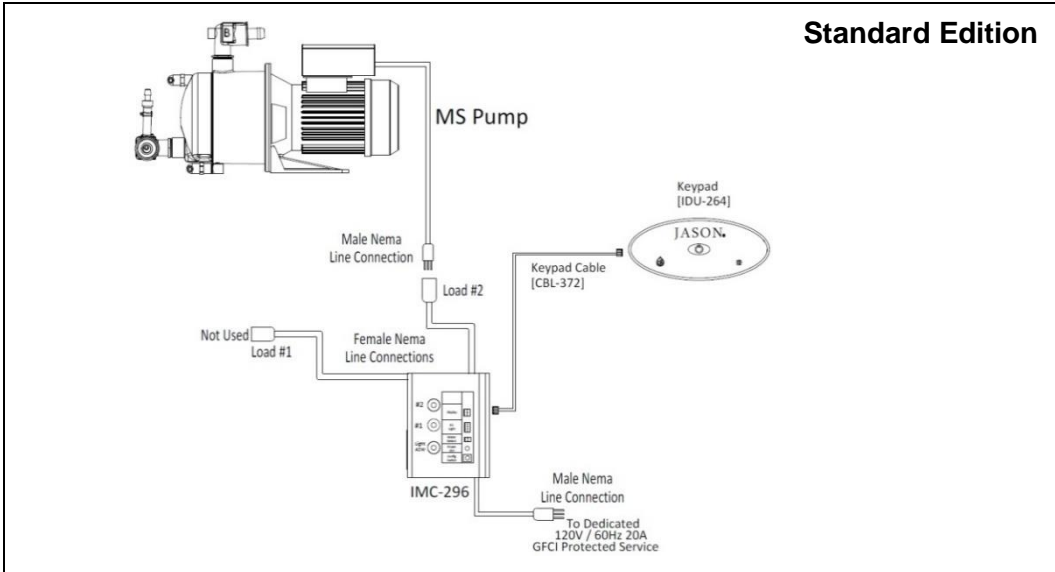


Figure 11

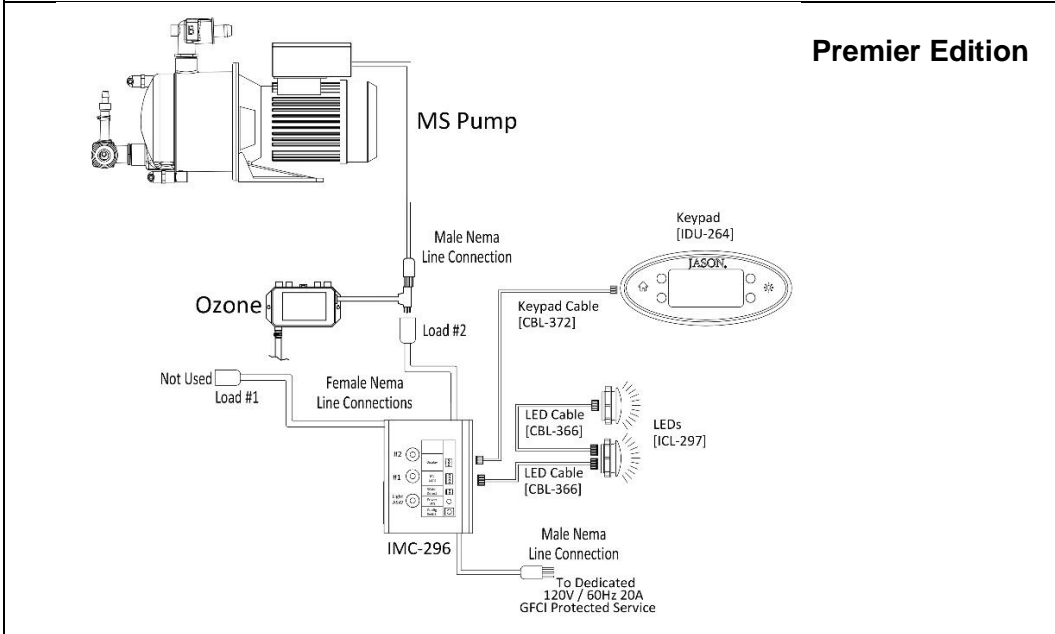
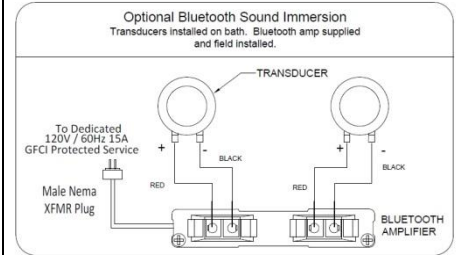
INSTALLATION INSTRUCTIONS (cont.)

MICROSILK® [MS] SYSTEM

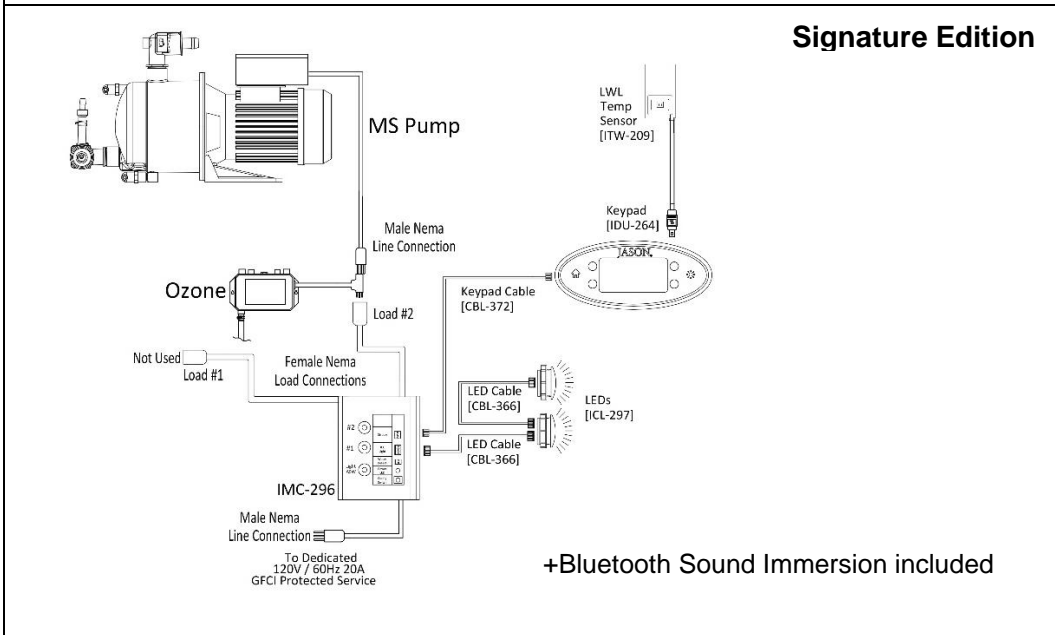
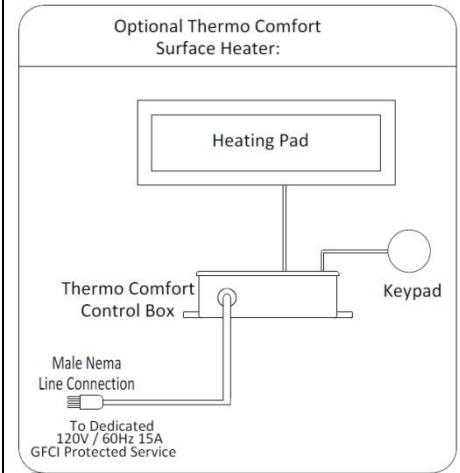


Additional Options Available:

Bluetooth Sound Immersion:
(included on Signature Edition)



Thermo Comfort Surface Heater:

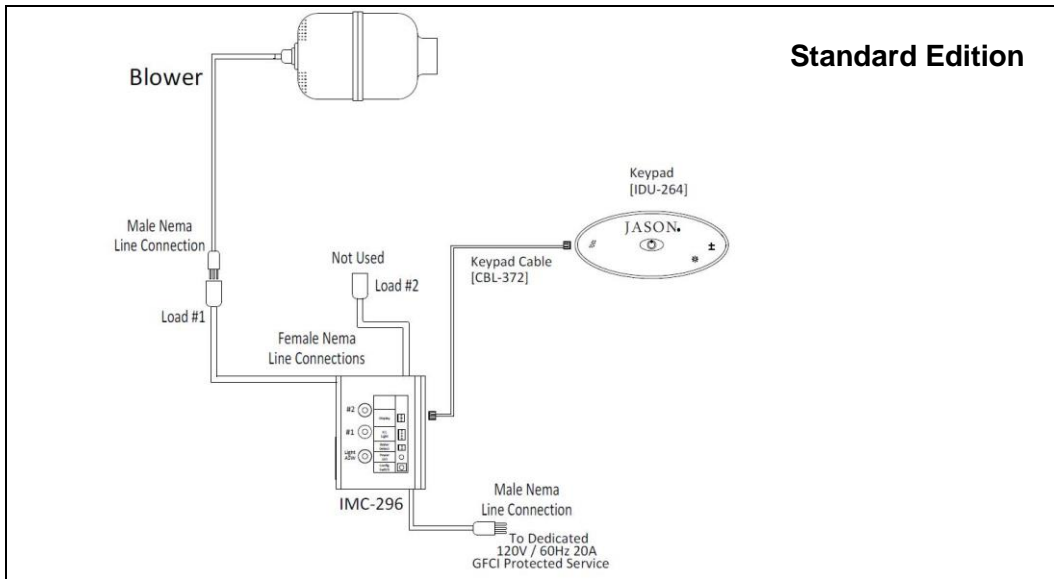


Notes:

A Single Dedicated 120v/60Hz 20A GFCI Protected Service is required for all bath equipment.

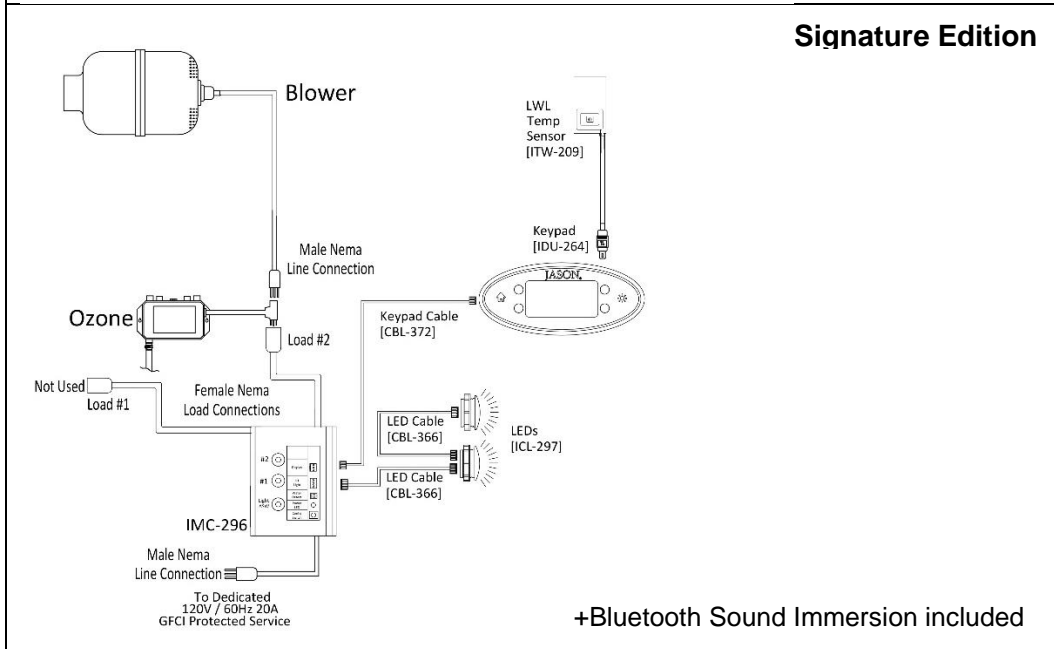
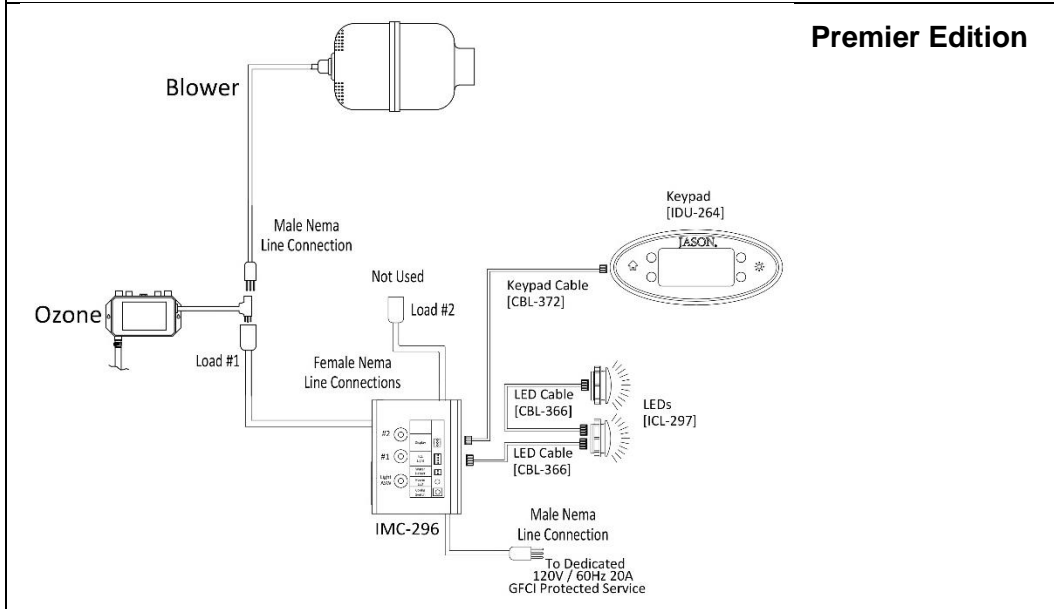
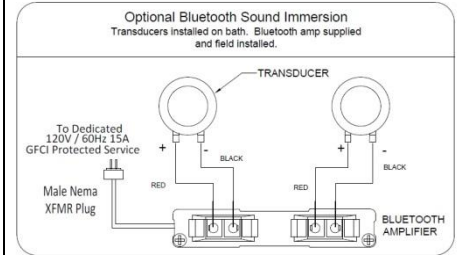
Additional options may require multiple outlets be installed on the single service.

AIRMASSEUR® [AM] SYSTEM



Additional Options Available:

Bluetooth Sound Immersion:
(included on Signature Edition)



Notes:
A Single Dedicated 120v/60Hz 20A GFCI Protected Service is required for all bath equipment.

Additional options may require multiple outlets be installed on the single service.

TROUBLE SHOOTING GUIDE

If you believe the unit to be within the warranty period, you must contact **Jason Customer Service: 1-800-255-5766** with the bath's Product and Serial numbers before work is started. These numbers can be found on the label on the front page of this manual and also adhered to the underside of the bath above the equipment.

ALL WARRANTY REPAIRS MUST BE AUTHORIZED BY JASON BEFORE WORK IS STARTED.

FOR SERVICE, ALWAYS CONTACT YOUR DEALER OR AUTHORIZED SERVICE CENTER.

WARNING: Always turn off power at the main electrical service panel when servicing the bath

ALL SYSTEMS		
SYMPTOMS	POSSIBLE CAUSES	RECOMMENDED ACTION
System fails to operate.	a) No power to the motor or control box.	a) Reset circuit breakers and GFCI if tripped. Check fuses and replace if bad. Check voltage at motor when control is on. If no voltage, control is defective.
	b) Motor is not plugged into control box.	b) Make sure plug is fully inserted into the load line outlet.
	c) Keypad disconnected	c) Check and reconnect if necessary.
Equipment does not manually shut off.	a) Control defective	a) Refer to installer/dealer.
Equipment shuts off by itself or before set time elapses.	a) Motor overheated and thermal protection device deactivated motor. (Possible low voltage)	a) Make sure motor has sufficient ventilation, clear and obstructions and allow motor to cool down. Check service and wire size.
	b) GFCI tripped.	b) Refer to Jason Customer Service
	c) Water level fell below recommended level. (Signature Edition)	c) Fill to recommended level above the jets.
Circuit breaker trips repeatedly	a) Defective breaker	a) Replace breaker
	b) Short circuit between the bath and the breaker box.	b) Refer to installer/dealer.
	c) Other items are connected to the same circuit.	c) Refer to installer/dealer.
LED Light will not operate	a) LED cable is disconnected or broken	a) Verify correct cable connections

TROUBLE SHOOTING GUIDE

MICROSILK® [MS] PUMP SYSTEM		
SYMPTOMS	POSSIBLE CAUSES	RECOMMENDED ACTION
Pump operates, but no microbubbles are injected into the water.	a) Air intake clogged.	a) Refer to installer/dealer.
Pump operates, but water is not being pumped.	a) Suction or discharge blocked.	a) Check and remove obstruction
Pump leaks.	a) Damaged or defective seal	a) Refer to installer/dealer.

AIRMASSEUR® [AM] BLOWER SYSTEM		
SYMPTOMS	POSSIBLE CAUSES	RECOMMENDED ACTION
Air bath does not function properly while in Wave or Pulse mode.	a) Blower speed setting is set too low.	a) Change to a mid-range air speed setting before switching over to Wave or Pulse modes.
Blower turns on when not in use.	a) Purge cycle has started after recently using the bathtub and its equipment.	a) No action is needed. This is a normal feature to help keep the air channel dry and sanitary.
	b) Purge cycle has started with no apparent warning.	b) Follow the directions in the Customized User Settings Menu to turn off or adjust time for the 24-hour purge.

WARRANTY REGISTRATION: Register your product's warranty online at www.jasoninternational.com.

WARRANTY

Jason International, Inc. (Jason), warrants its baths to be free from defects in workmanship and materials as provided in the enclosed Warranty Statement and Warranty validation card.

The pre-addressed warranty registration card **MUST** be filled out by the purchaser within thirty (30) days from purchase and mailed to Jason International, Inc., in order for the limited warranty to become effective.

SAVE THESE INSTRUCTIONS

JASON INTERNATIONAL, INC.

8328 MacArthur Drive · North Little Rock · Arkansas · 72118-2029

www.jasoninternational.com