
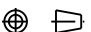
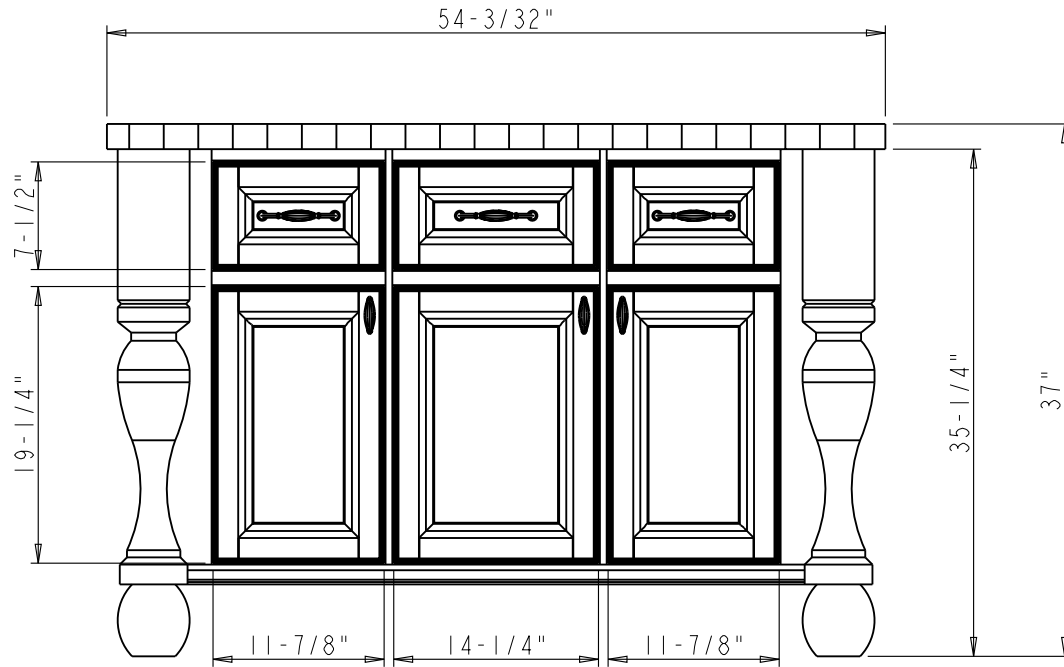


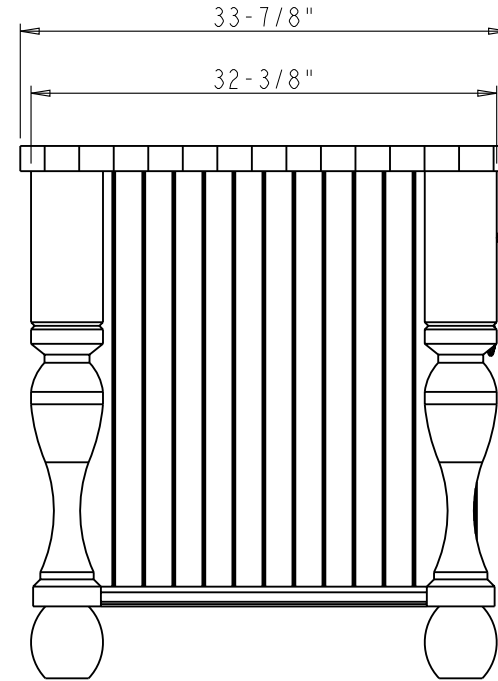
Specification:

1. Material: MDF and Birch
2. Finish: AWH
AQU
DBK
RED
3. Hardware:
ISL01 in AWH, 618DBAC (3 PCS) for Doors
718DBAC (3 PCS) for Drawers
ISL01 in AQU/DBK/RED, 618BNMDL (3 PCS) for Doors
718BNMDL (3 PCS) for Drawers
4. Slides: 303FU-16 (3 SETS)
5. Hinge: 500.0535.05
Hinge Plate: 400.0118.05
6. Shelf Supports: 1706 (20 PCS)
7. Drawer Boxes: 5/8" Rubber wood
Clear color
Dovetail
8. Top: 1-3/4" Maple Butcher Block Treated With Mineral Oil

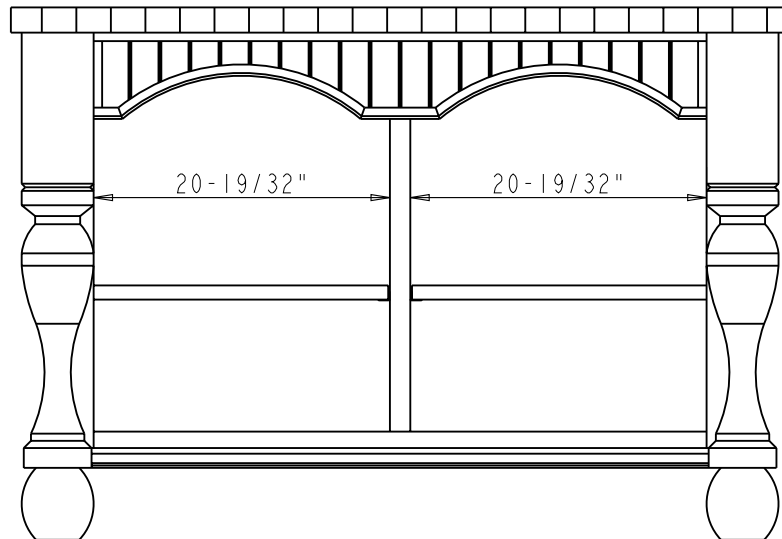
	ITEM#: ISL01		MATERIAL:		
	FINISH:		WEIGHT: 9		
PROPRIETARY AND CONFIDENTIAL THE INFORMATION CONTAINED IN THIS DRAWING IS THE SOLE PROPERTY OF HARDWARE RESOURCES INC. ANY REPRODUCTION IN PART OR AS A WHOLE WITHOUT THE WRITTEN PERMISSION OF HARDWARE RESOURCES INC. IS PROHIBITED.	TOLERANCE UNLESS OTHERWISE SPECIFIED: X: MM ±0.20 X.X: MM ±0.10 X.XX: MM ±0.05 ANGULAR: ±0.5° DO NOT SCALE DRAWING		UNIT:	DRAWN BY: <i>alan.liu</i>	DATE:
	SIZE:	CHECKED BY:	DATE:		
	PAGE 01		APPROVED BY:	DATE:	
	PROJECTION: 				



FRONT VIEW

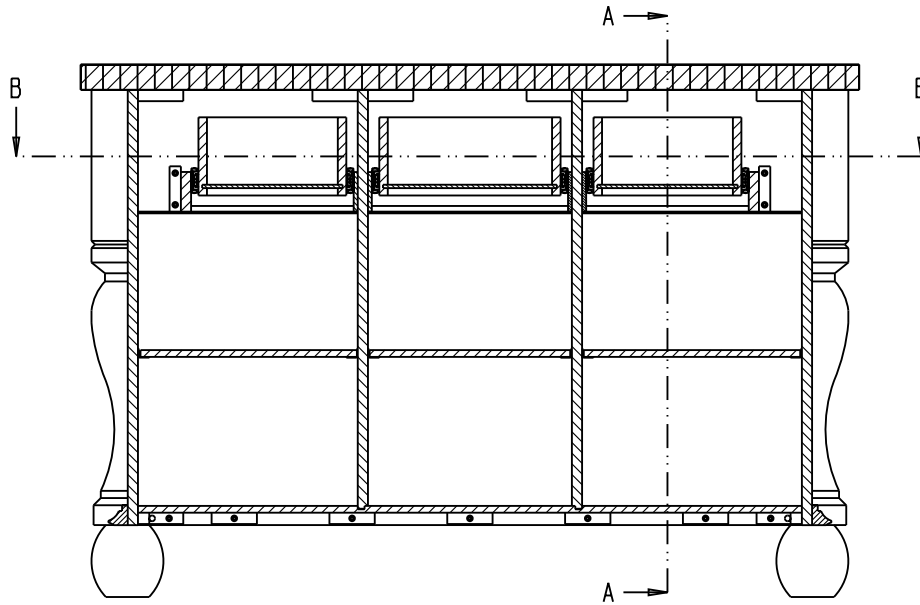


SIDE VIEW

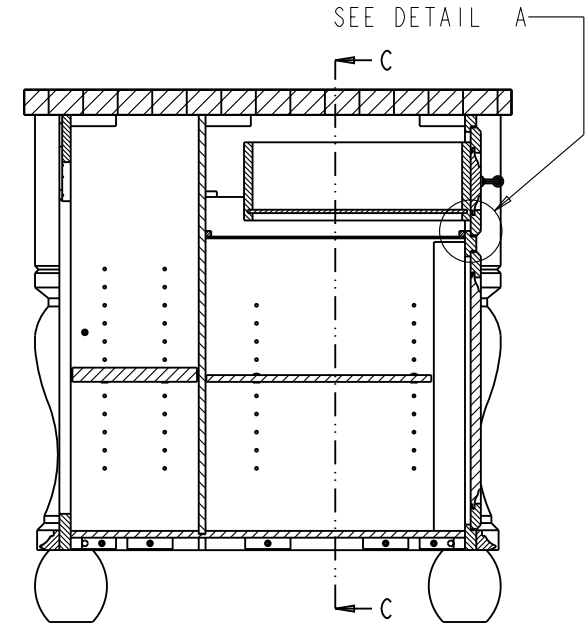


REAR VIEW

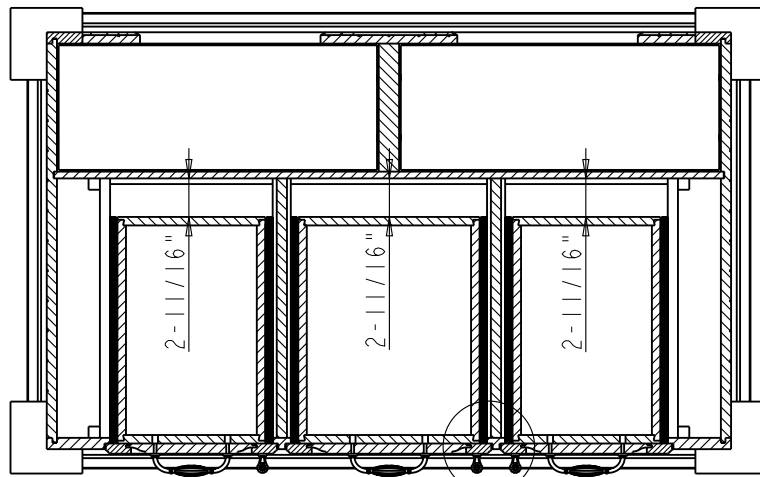
	ITEM:	1 SLO1		MATERIAL:
	FINISH:			WEIGHT: 9
PROPRIETARY AND CONFIDENTIAL THE INFORMATION CONTAINED IN THIS DRAWING IS THE SOLE PROPERTY OF HARDWARE RESOURCES INC. ANY REPRODUCTION IN PART OR AS A WHOLE WITHOUT THE WRITTEN PERMISSION OF HARDWARE RESOURCES INC. IS PROHIBITED.	TOLERANCE UNLESS OTHERWISE SPECIFIED:	UNIT:	DRAWN BY:	DATE:
	X: MM ±0.20	SIZE:	<i>alan.liu</i>	DATE:
	X.X: MM ±0.10	PAGE 02	CHECKED BY:	DATE:
	X.XX: MM ±0.05		APPROVED BY:	DATE:
ANGULAR: ±0.5°	DO NOT SCALE DRAWING			



SECTION C-C

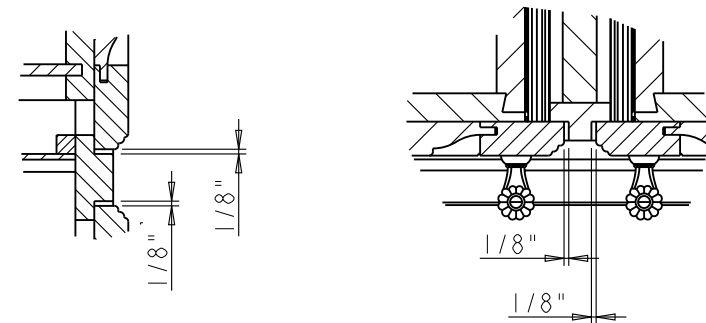


SECTION A-A



SECTION B-B

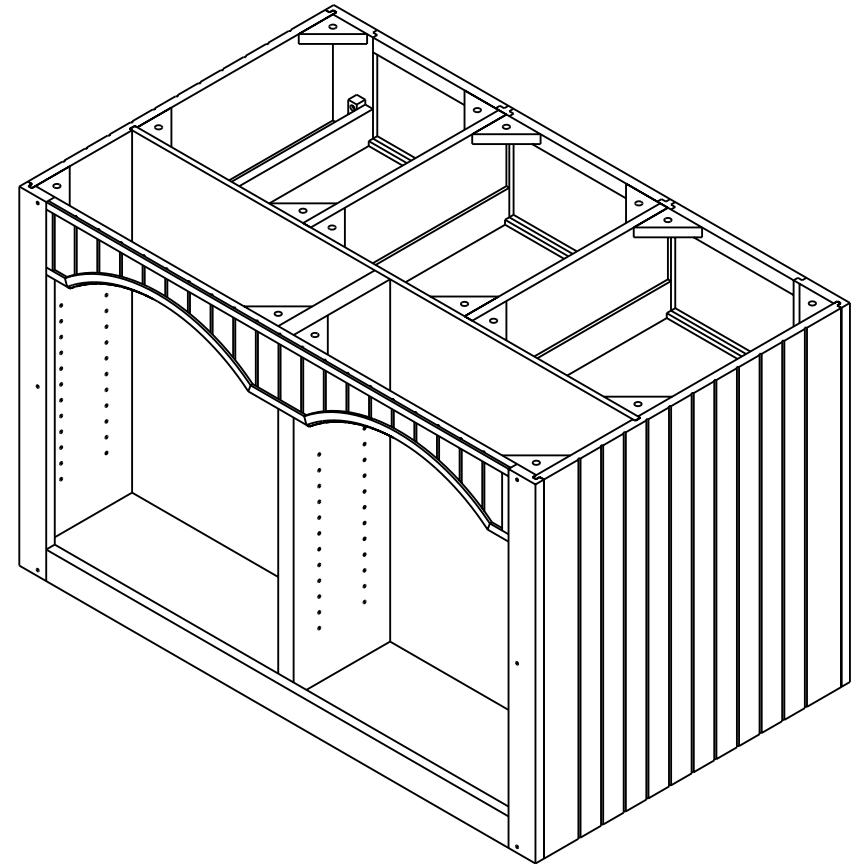
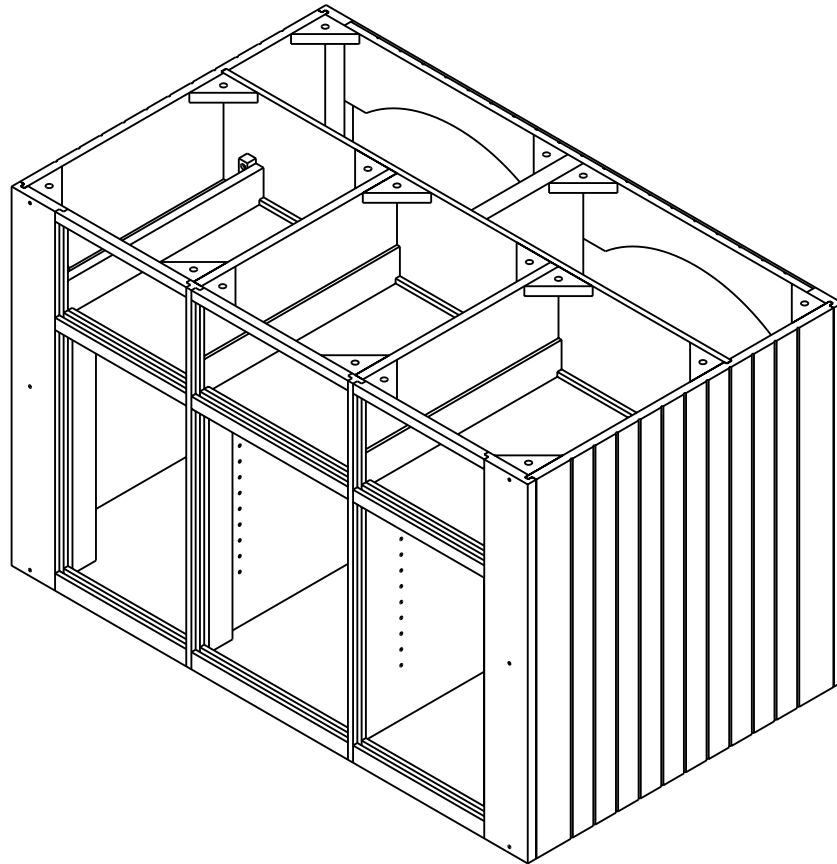
SEE DETAIL B



DETAIL A


DETAIL B

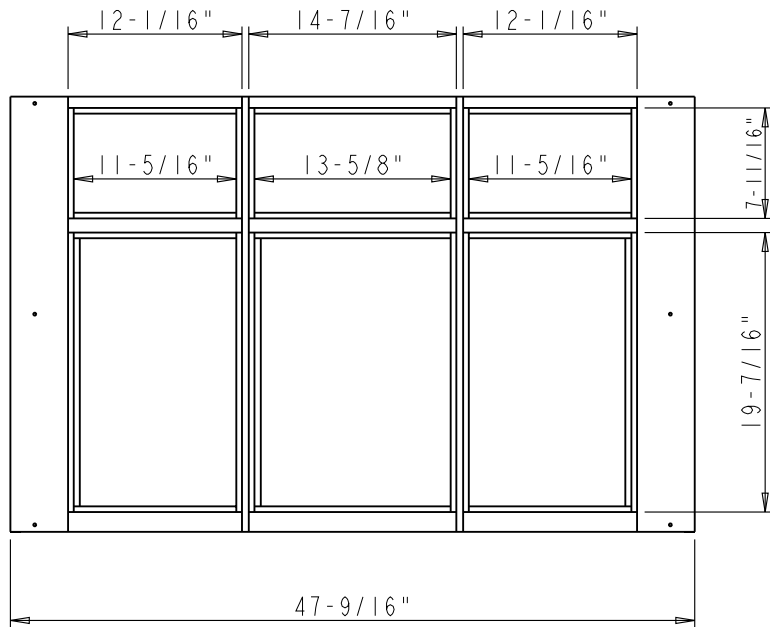
	ITEM:	1SL01		MATERIAL:
	FINISH:			WEIGHT: 9
PROPRIETARY AND CONFIDENTIAL THE INFORMATION CONTAINED IN THIS DRAWING IS THE SOLE PROPERTY OF HARDWARE RESOURCES INC. ANY REPRODUCTION IN PART OR AS A WHOLE WITHOUT THE WRITTEN PERMISSION OF HARDWARE RESOURCES INC. IS PROHIBITED.	TOLERANCE UNLESS OTHERWISE SPECIFIED: X: MM ±0.20 X.X: MM ±0.10 X.XX: MM ±0.05 ANGULAR: ±0.5° DO NOT SCALE DRAWING	UNIT: SIZE:	DRAWN BY: <i>alan.liu</i>	DATE:
			CHECKED BY:	DATE:
			APPROVED BY:	DATE:
		PAGE 03		



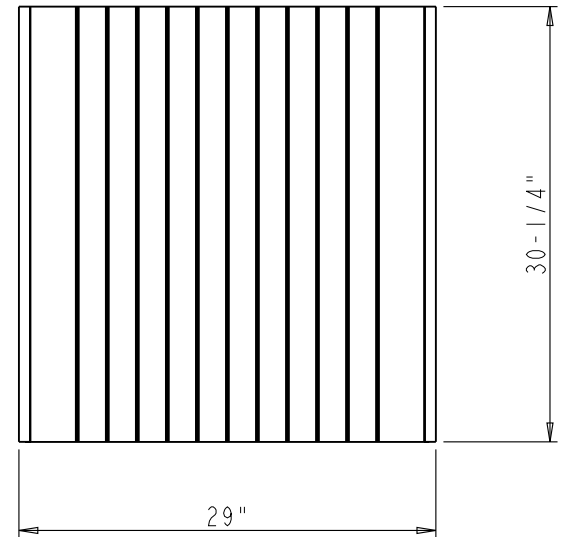
Specification:

1. Material: MDF and Birch

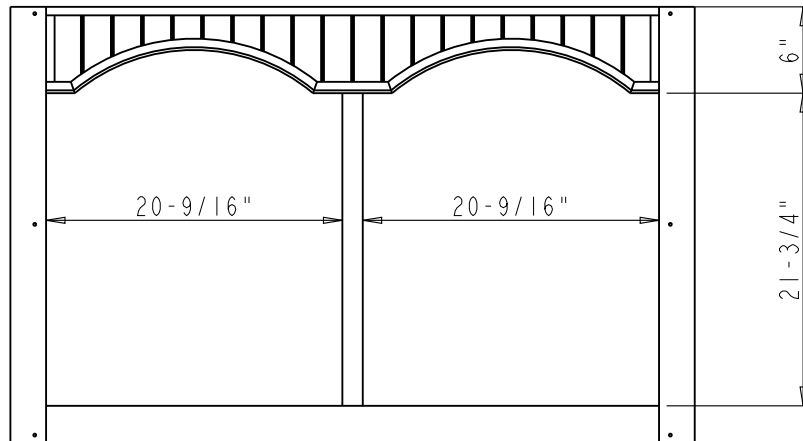
	ITEM: CABINET		MATERIAL:			
	FINISH:		WEIGHT: 9			
<p>PROPRIETARY AND CONFIDENTIAL</p> <p>THE INFORMATION CONTAINED IN THIS DRAWING IS THE SOLE PROPERTY OF HARDWARE RESOURCES INC. ANY REPRODUCTION IN PART OR AS A WHOLE WITHOUT THE WRITTEN PERMISSION OF HARDWARE RESOURCES INC. IS PROHIBITED</p>	TOLERANCE UNLESS OTHERWISE SPECIFIED: X : MM ±0.20 X.X : MM ±0.10 X.XX : MM ±0.05 ANGULAR: ±0.5° DO NOT SCALE DRAWING		UNIT:	DRAWN BY: <i>alan.liu</i>	DATE:	
	SIZE:		CHECKED BY:	DATE:	DATE:	
	PAGE 04		APPROVED BY:	DATE:	DATE:	



FRONT VIEW

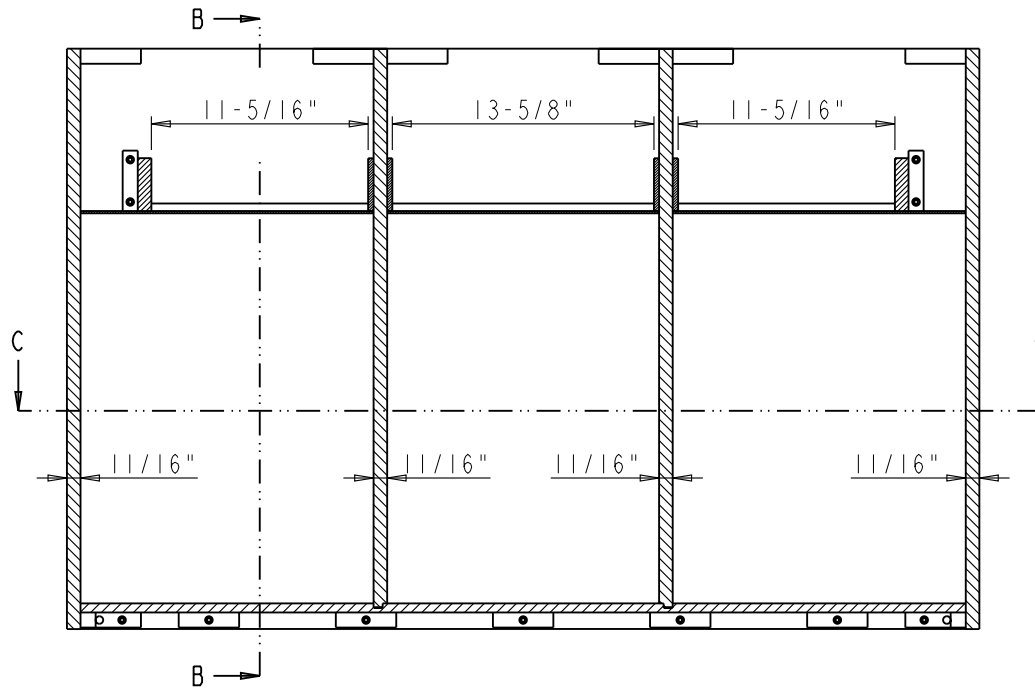


SIDE VIEW

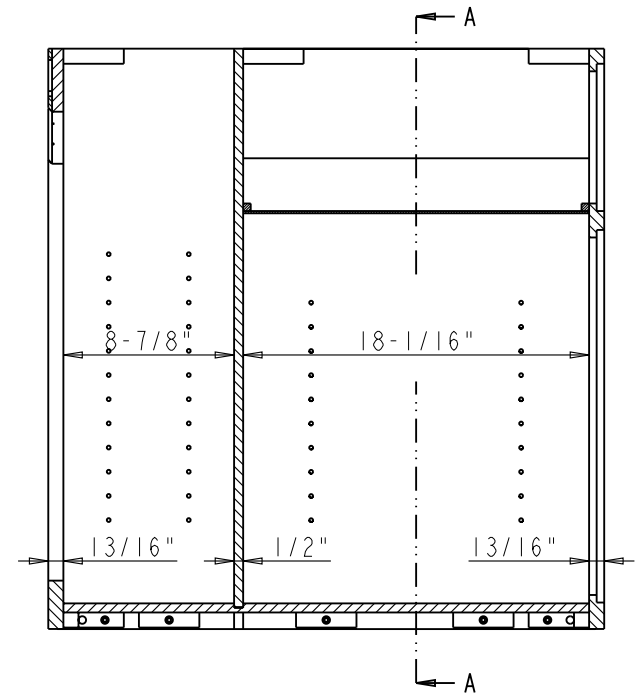


REAR VIEW

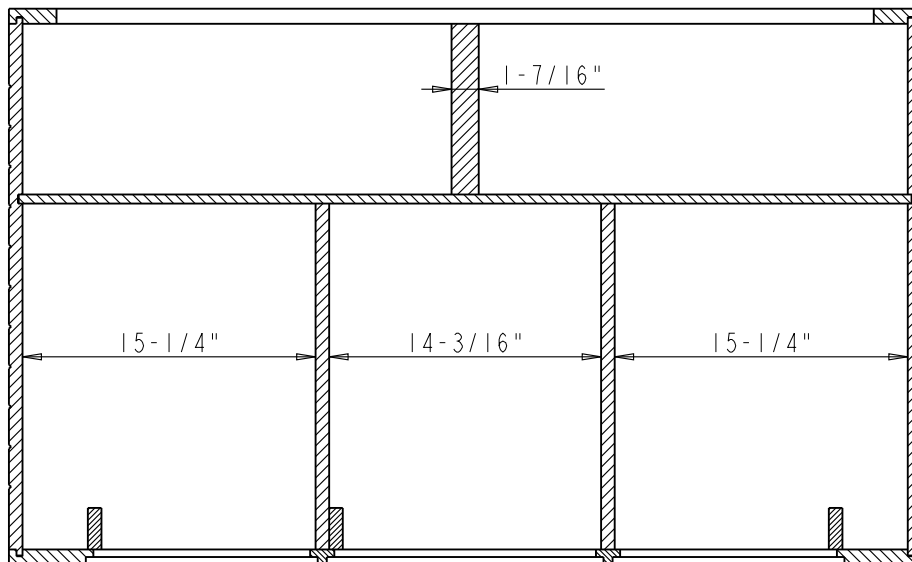
	ITEM: CABINET		MATERIAL:		
	FINISH:		WEIGHT: 9		
PROPRIETARY AND CONFIDENTIAL THE INFORMATION CONTAINED IN THIS DRAWING IS THE SOLE PROPERTY OF HARDWARE RESOURCES INC. ANY REPRODUCTION IN PART OR AS A WHOLE WITHOUT THE WRITTEN PERMISSION OF HARDWARE RESOURCES INC. IS PROHIBITED.	TOLERANCE UNLESS OTHERWISE SPECIFIED: X: MM ±0.20 XX: MM ±0.10 XXX: MM ±0.05 ANGULAR: ±0.5° DO NOT SCALE DRAWING		UNIT:	DRAWN BY: <i>alan.liu</i>	DATE:
	SIZE:	CHECKED BY:	DATE:		
	PAGE 05		APPROVED BY:	DATE:	
	PROJECTION:				



SECTION A-A

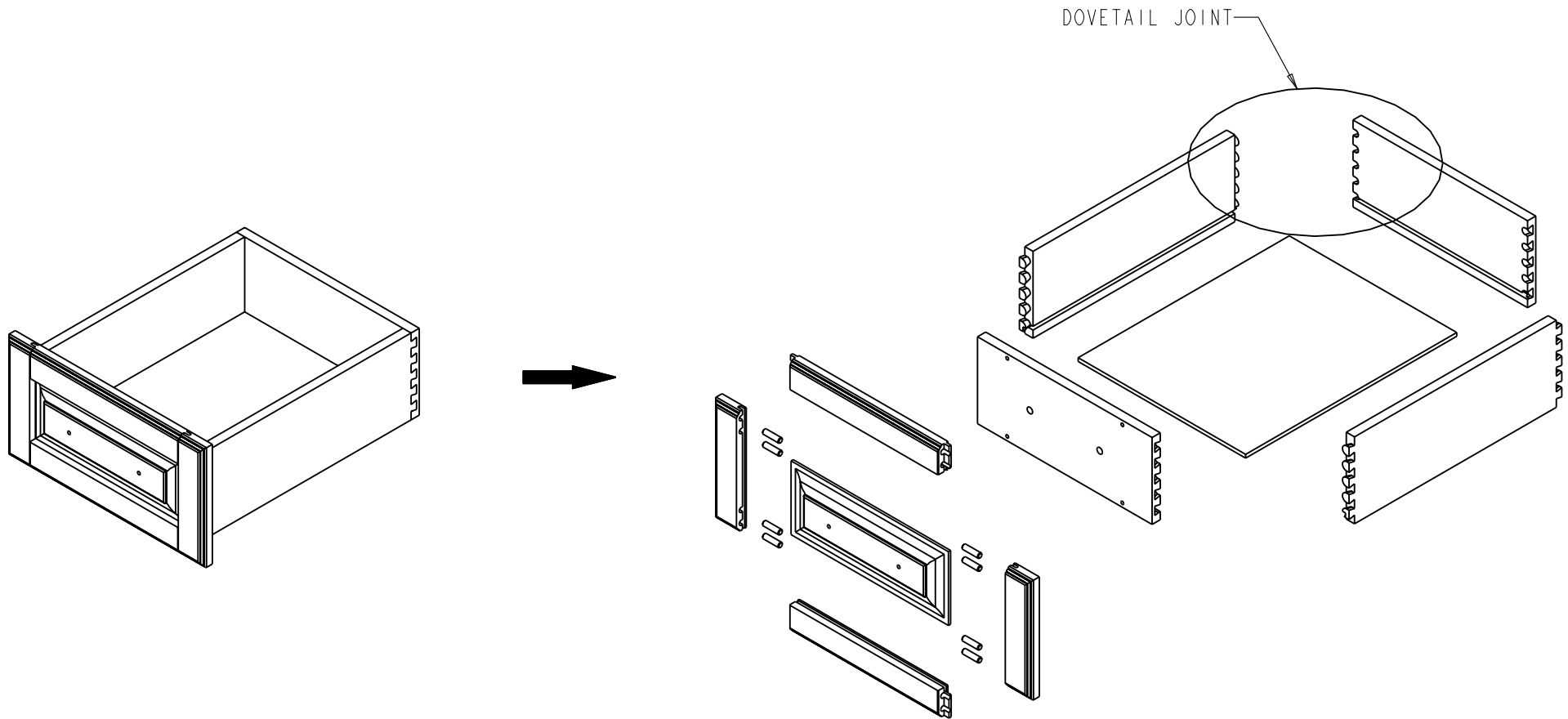


SECTION B-B



SECTION C-C

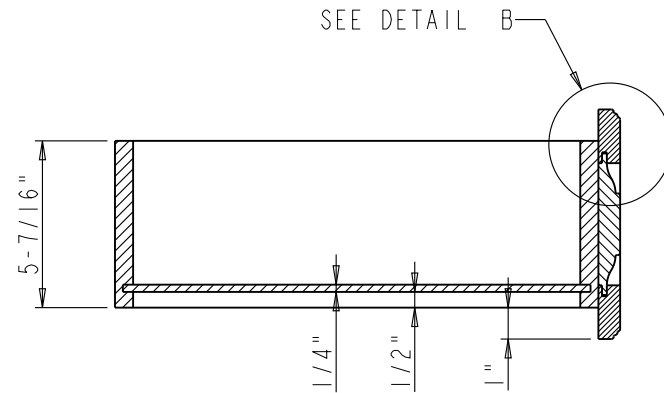
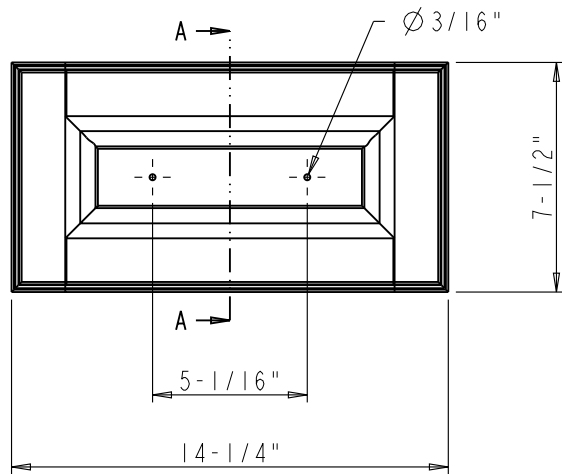
	ITEM: CABINET		MATERIAL:		
	FINISH:		WEIGHT: 9		
PROPRIETARY AND CONFIDENTIAL THE INFORMATION CONTAINED IN THIS DRAWING IS THE SOLE PROPERTY OF HARDWARE RESOURCES INC. ANY REPRODUCTION IN PART OR AS A WHOLE WITHOUT THE WRITTEN PERMISSION OF HARDWARE RESOURCES INC. IS PROHIBITED.	TOLERANCE UNLESS OTHERWISE SPECIFIED: X: MM ±0.20 XX: MM ±0.10 XXX: MM ±0.05 ANGULAR: ±0.5° DO NOT SCALE DRAWING		UNIT:	DRAWN BY: <i>alan.liu</i>	DATE:
	SIZE:	CHECKED BY:	DATE:		
	PAGE 06		APPROVED BY:	DATE:	
	PROJECTION:				



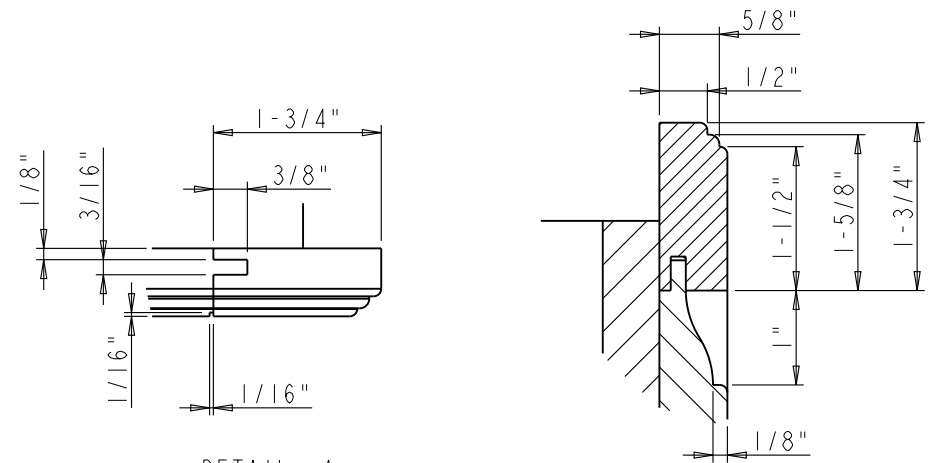
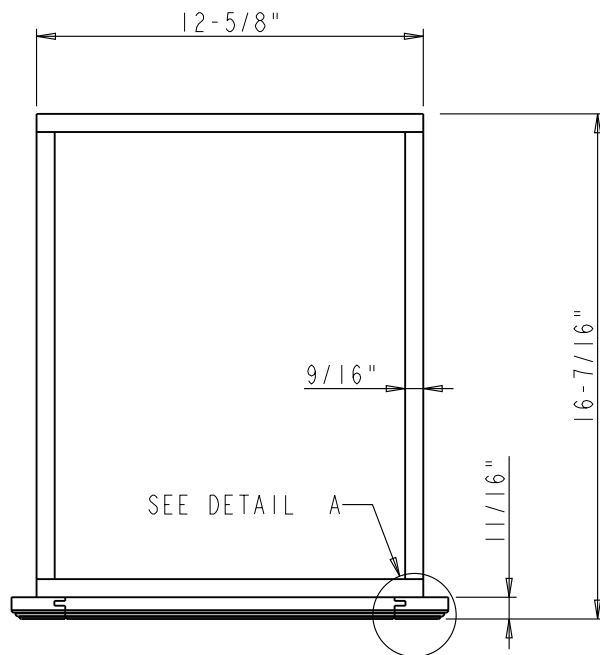
Specification:

- 1. Drawer Boxes: 5/8" Rubber wood
Clear color
Dovetail

	ITEM#: DRAWER-MID		MATERIAL:		
	FINISH:		WEIGHT: 9		
PROPRIETARY AND CONFIDENTIAL THE INFORMATION CONTAINED IN THIS DRAWING IS THE SOLE PROPERTY OF HARDWARE RESOURCES INC. ANY REPRODUCTION IN PART OR AS A WHOLE WITHOUT THE WRITTEN PERMISSION OF HARDWARE RESOURCES INC. IS PROHIBITED.	TOLERANCE UNLESS OTHERWISE SPECIFIED: X : MM ±0.20 X.X : MM ±0.10 X.XX : MM ±0.05 ANGULAR: ±0.5° DO NOT SCALE DRAWING		UNIT: SIZE:	DRAWN BY: <i>alan.liu</i>	DATE:
	PAGE 07		CHECKED BY:	DATE:	
	APPROVED BY:		DATE:		



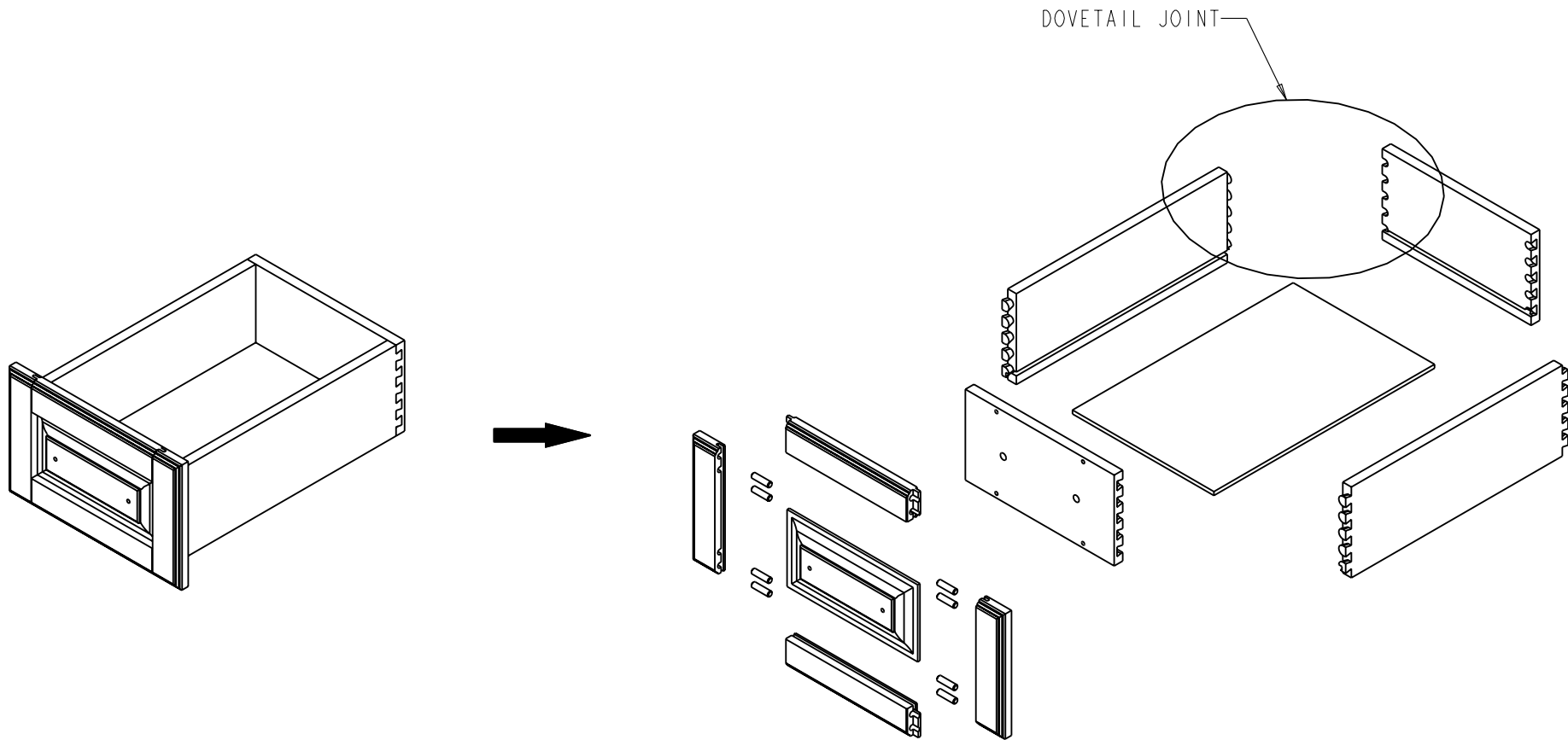
SECTION A-A



DETAIL A
SCALE 1:2

DETAIL B
SCALE 1:2

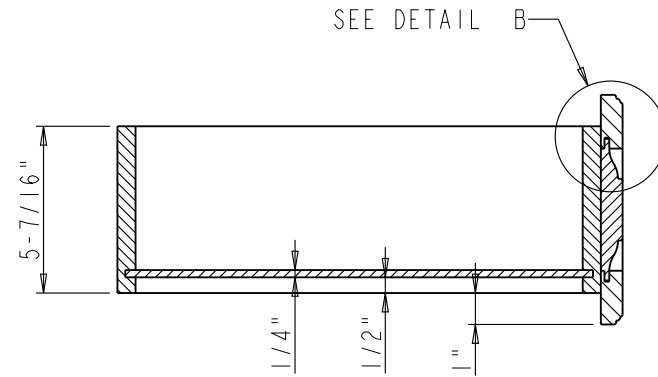
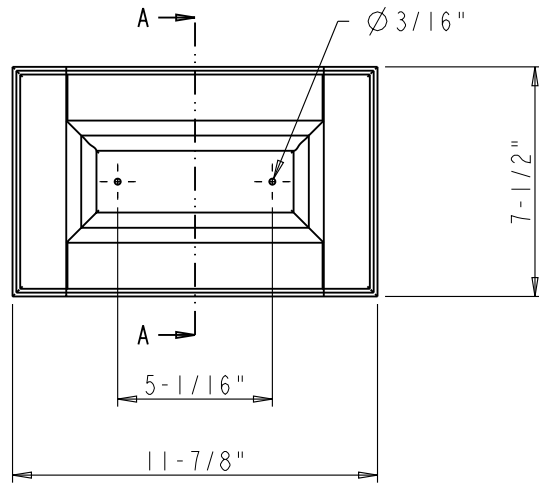
	ITEM: DRAWER-MID		MATERIAL:		
	FINISH:		WEIGHT: 9		
PROPRIETARY AND CONFIDENTIAL THE INFORMATION CONTAINED IN THIS DRAWING IS THE SOLE PROPERTY OF HARDWARE RESOURCES INC. ANY REPRODUCTION IN PART OR AS A WHOLE WITHOUT THE WRITTEN PERMISSION OF HARDWARE RESOURCES INC. IS PROHIBITED.	TOLERANCE UNLESS OTHERWISE SPECIFIED: X: MM ±0.20 XX: MM ±0.10 XXX: MM ±0.05 ANGULAR: ±0.5° DO NOT SCALE DRAWING		UNIT:	DRAWN BY: <i>alan.liu</i>	DATE:
	SIZE:	CHECKED BY:	DATE:		
	PAGE 08	APPROVED BY:	DATE:		



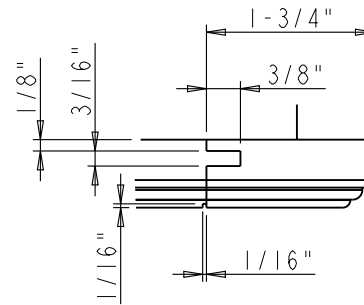
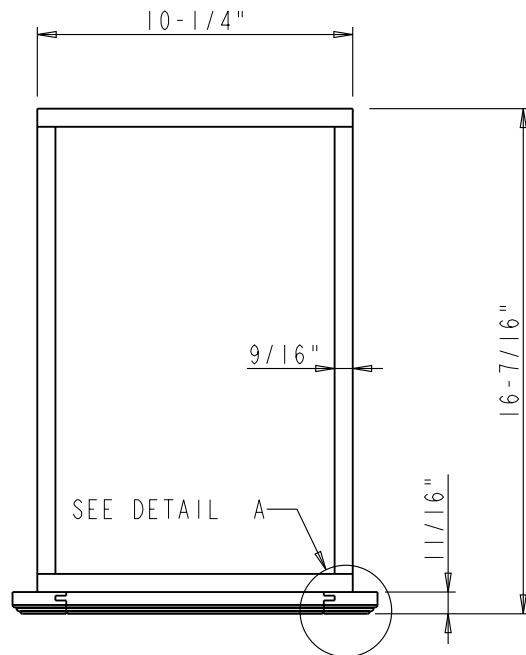
Specification:

- 1. Drawer Boxes: 5/8" Rubber wood
Clear color
Dovetail

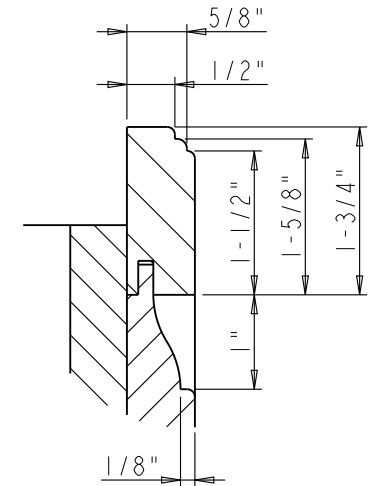
	ITEM#: DRAWER-SIDE		MATERIAL:		
	FINISH:		WEIGHT: 9		
PROPRIETARY AND CONFIDENTIAL THE INFORMATION CONTAINED IN THIS DRAWING IS THE SOLE PROPERTY OF HARDWARE RESOURCES INC. ANY REPRODUCTION IN PART OR AS A WHOLE WITHOUT THE WRITTEN PERMISSION OF HARDWARE RESOURCES INC. IS PROHIBITED.	TOLERANCE UNLESS OTHERWISE SPECIFIED: X : MM ±0.20 X.X : MM ±0.10 X.XX : MM ±0.05 ANGULAR: ±0.5° DO NOT SCALE DRAWING		UNIT:	DRAWN BY: <i>alan.liu</i>	DATE:
	SIZE:		CHECKED BY:	DATE:	
	PAGE 09		APPROVED BY:	DATE:	



SECTION A-A

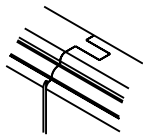
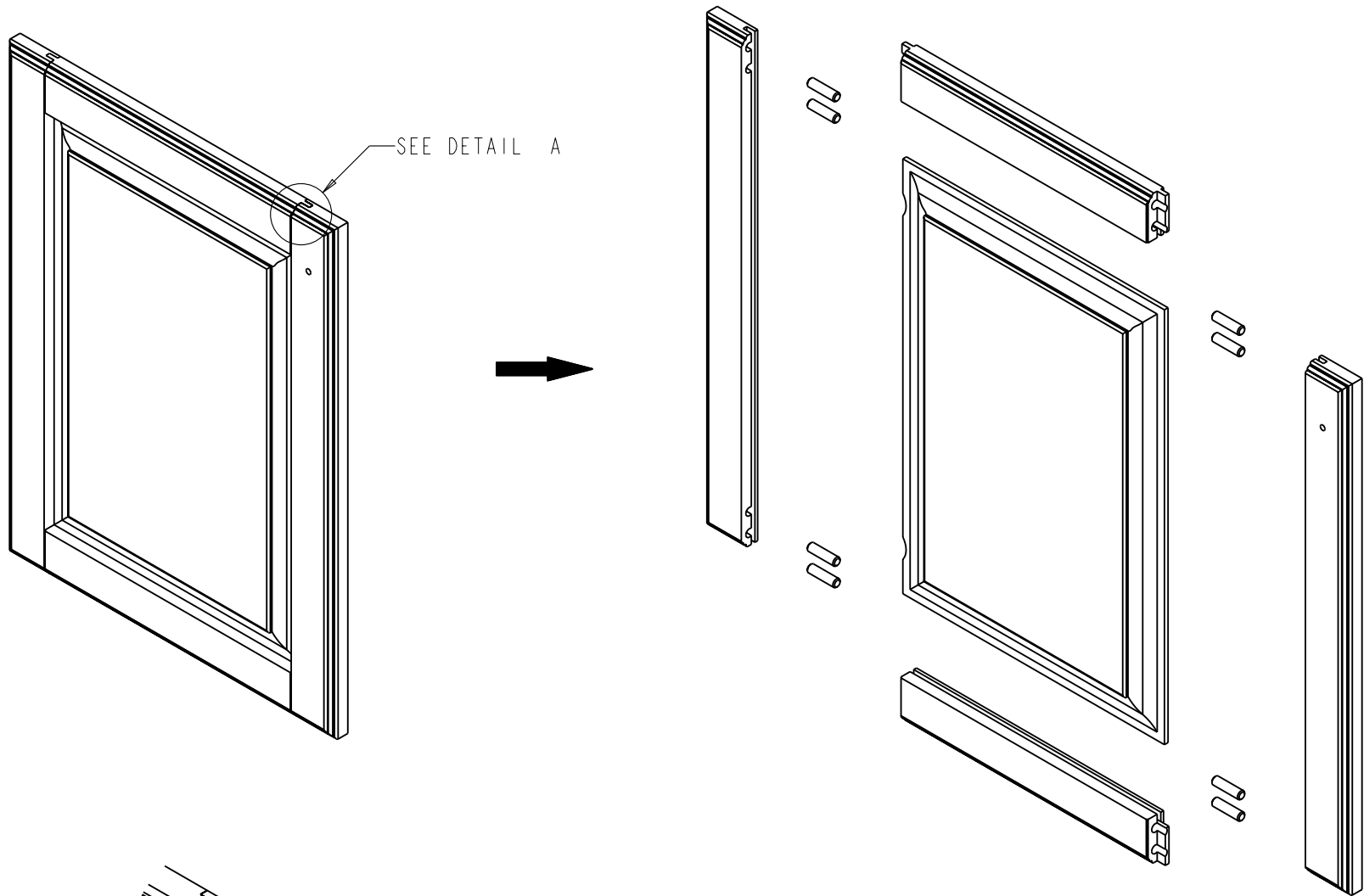


DETAIL A
SCALE 1:2



DETAIL B
SCALE 1:2


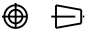
	ITEM: DRAWER-SIDE		MATERIAL:	
	FINISH:		WEIGHT: 9	
PROPRIETARY AND CONFIDENTIAL THE INFORMATION CONTAINED IN THIS DRAWING IS THE SOLE PROPERTY OF HARDWARE RESOURCES INC. ANY REPRODUCTION IN PART OR AS A WHOLE WITHOUT THE WRITTEN PERMISSION OF HARDWARE RESOURCES INC. IS PROHIBITED.	TOLERANCE UNLESS OTHERWISE SPECIFIED:	UNIT:	DRAWN BY:	DATE:
	X: MM ±0.20	SIZE:	alan.liu	DATE:
	X.X: MM ±0.10	PAGE 10	CHECKED BY:	DATE:
	ANGULAR: ±0.5° DO NOT SCALE DRAWING	APPROVED BY:	DATE:	DATE:

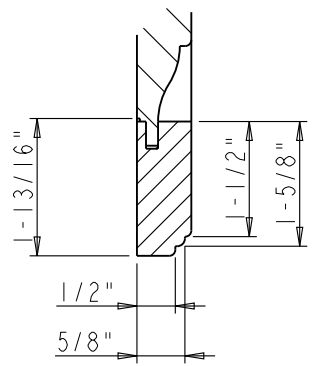
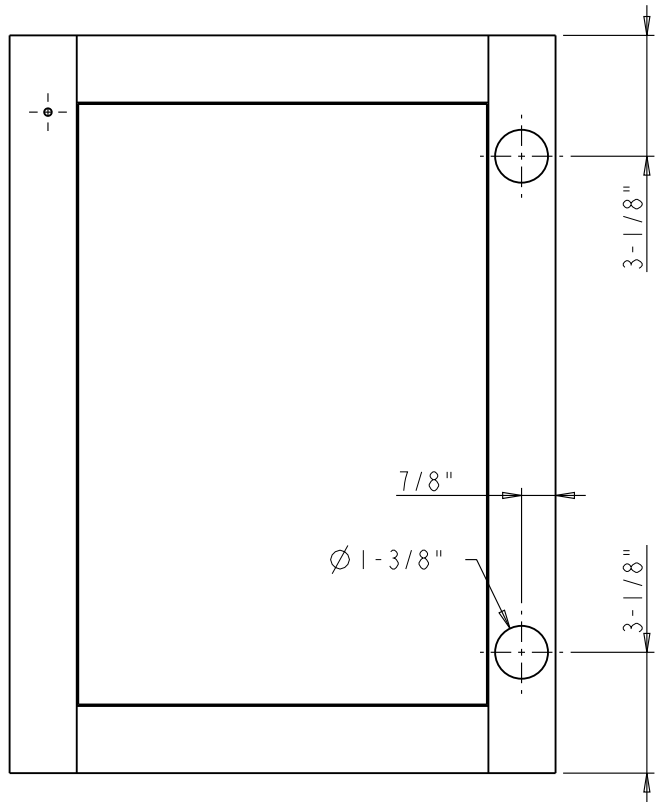
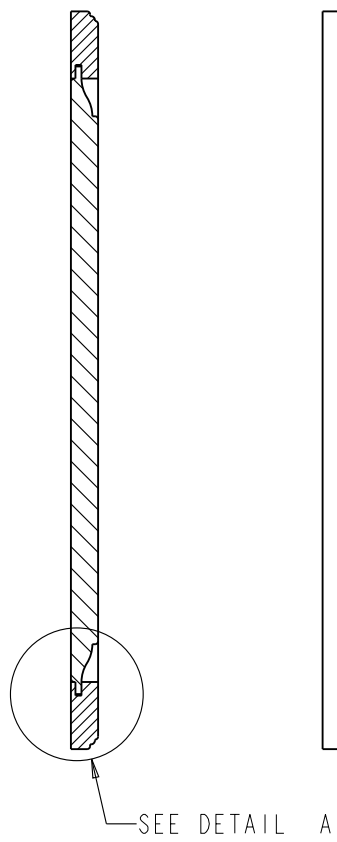
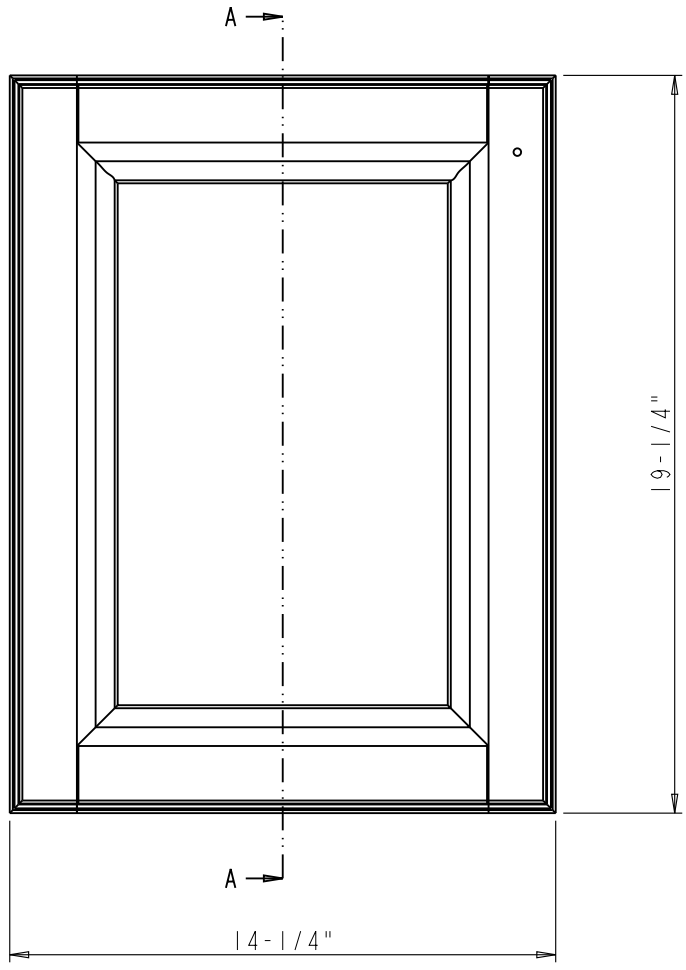


DETAIL A

Specification:

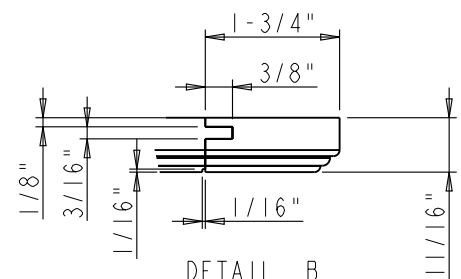
1. Material: MDF and Birch

	ITEM: DOOR-MID		MATERIAL:		
	FINISH:		WEIGHT: 9		
PROPRIETARY AND CONFIDENTIAL THE INFORMATION CONTAINED IN THIS DRAWING IS THE SOLE PROPERTY OF HARDWARE RESOURCES INC. ANY REPRODUCTION IN PART OR AS A WHOLE WITHOUT THE WRITTEN PERMISSION OF HARDWARE RESOURCES INC. IS PROHIBITED.	TOLERANCE UNLESS OTHERWISE SPECIFIED: X : MM ±0.20 X.X : MM ±0.10 X.XX : MM ±0.05 ANGULAR: ±0.5° DO NOT SCALE DRAWING		UNIT: SIZE:	DRAWN BY: <i>alan.liu</i>	DATE:
	PROJECTION: 		CHECKED BY:	DATE:	
	PAGE 11		APPROVED BY:	DATE:	



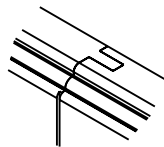
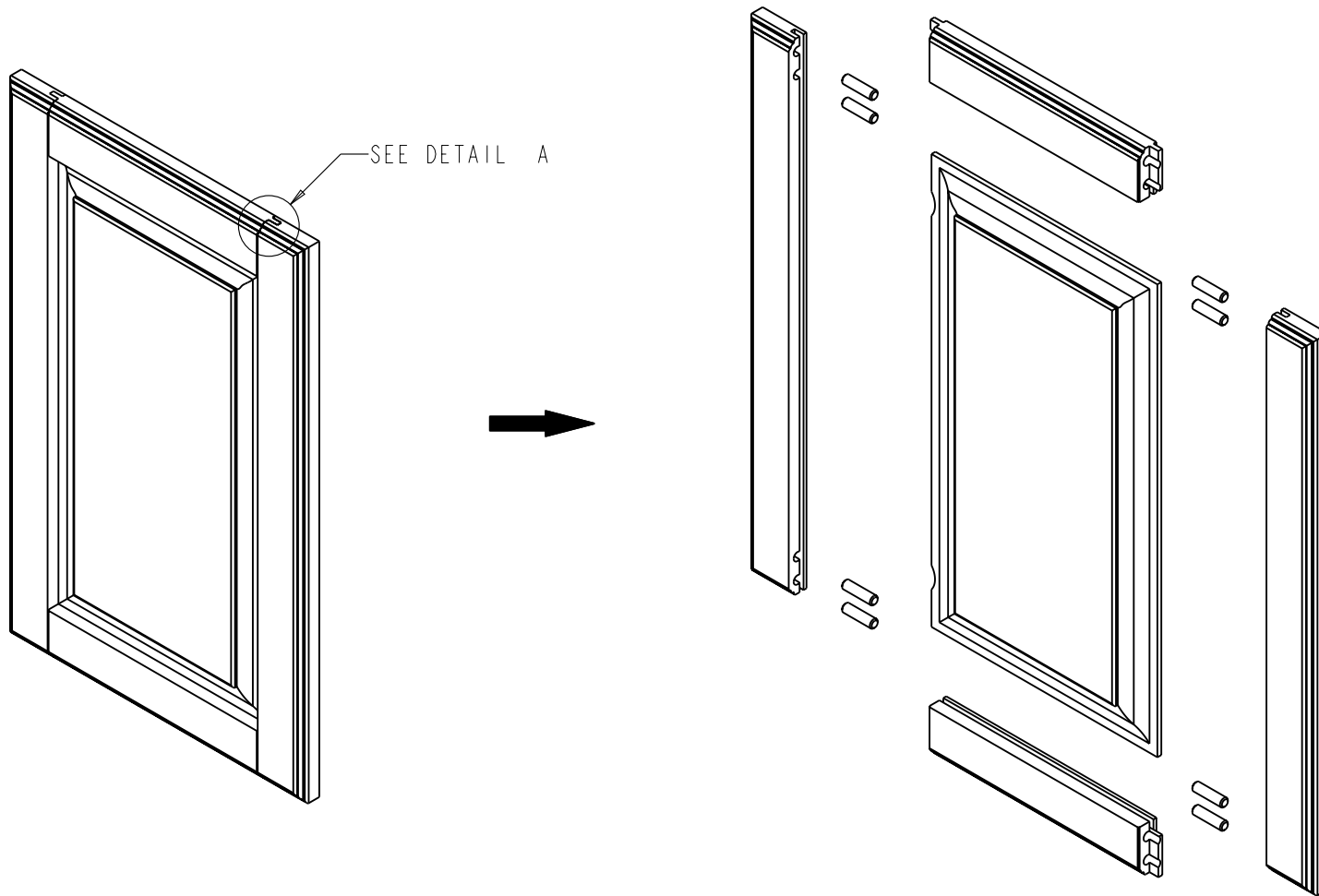
SECTION A-A

DETAIL A
SCALE 2:5



DETAIL B
SCALE 2:5

	ITEM: DOOR-MID		MATERIAL:		
	FINISH:		WEIGHT: 9		
PROPRIETARY AND CONFIDENTIAL THE INFORMATION CONTAINED IN THIS DRAWING IS THE SOLE PROPERTY OF HARDWARE RESOURCES INC. ANY REPRODUCTION IN PART OR AS A WHOLE WITHOUT THE WRITTEN PERMISSION OF HARDWARE RESOURCES INC. IS PROHIBITED.	TOLERANCE UNLESS OTHERWISE SPECIFIED: X: MM ±0.20 X.X: MM ±0.10 X.XX: MM ±0.05 ANGULAR: ±0.5° DO NOT SCALE DRAWING		UNIT:	DRAWN BY: alan.liu	DATE:
	SIZE:	CHECKED BY:	PROJECTION:		
	PAGE 12	APPROVED BY:	DATE:		

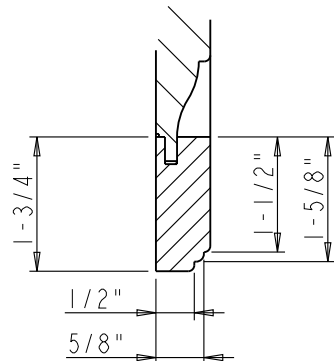
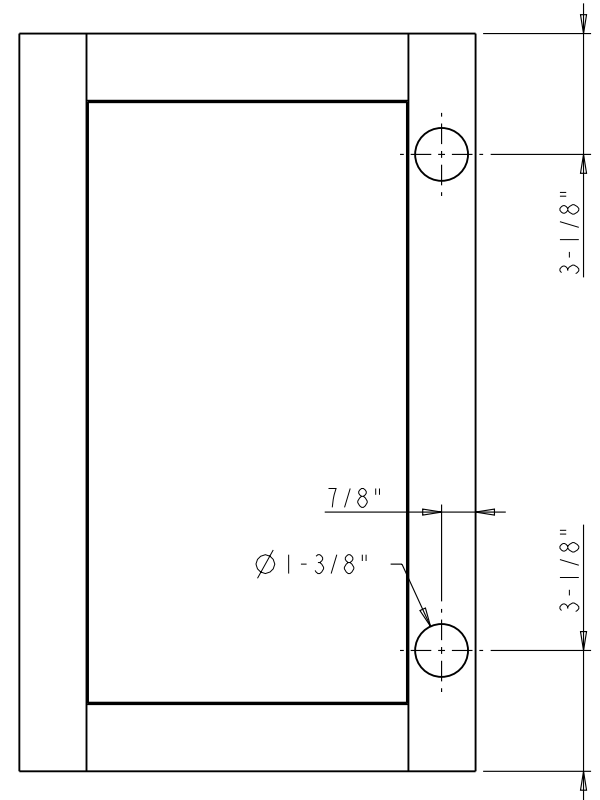
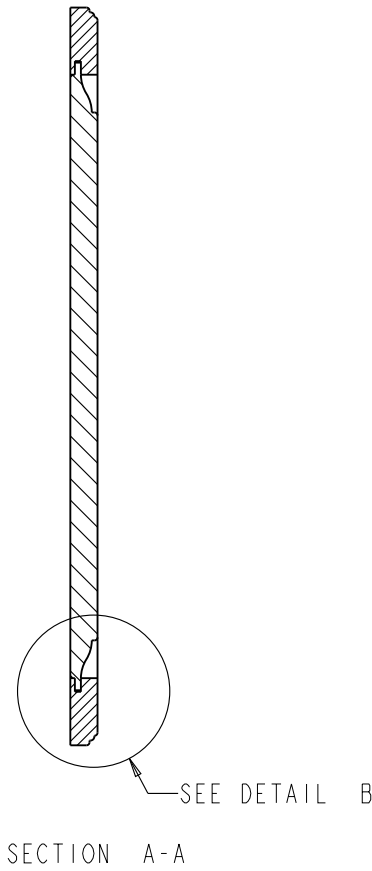
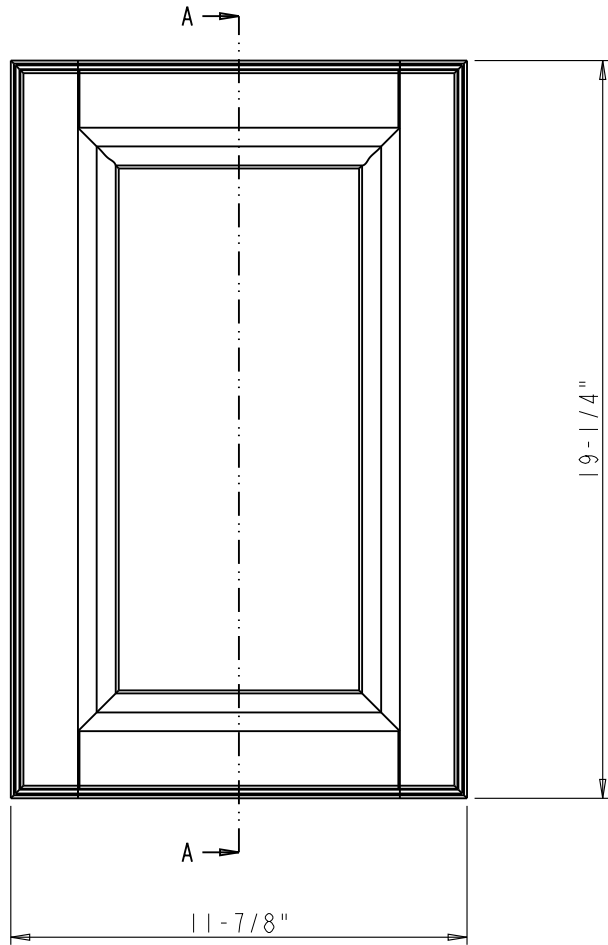


DETAIL A

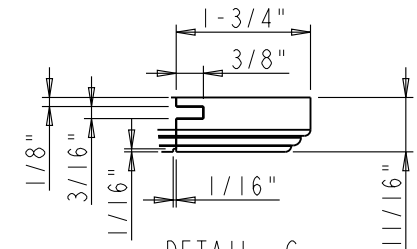
Specification:

1. Material: MDF and Birch

	ITEM: DOOR-SIDE		MATERIAL:		
	FINISH:		WEIGHT: 9		
PROPRIETARY AND CONFIDENTIAL THE INFORMATION CONTAINED IN THIS DRAWING IS THE SOLE PROPERTY OF HARDWARE RESOURCES INC. ANY REPRODUCTION IN PART OR AS A WHOLE WITHOUT THE WRITTEN PERMISSION OF HARDWARE RESOURCES INC. IS PROHIBITED.	TOLERANCE UNLESS OTHERWISE SPECIFIED: X: MM ±0.20 X.X: MM ±0.10 X.XX: MM ±0.05 ANGULAR: ±0.5° DO NOT SCALE DRAWING		PROJECTION:	DRAWN BY: <i>alan.liu</i>	DATE:
	UNIT:	CHECKED BY:	DATE:		
	SIZE:	APPROVED BY:	DATE:		
PAGE 13					

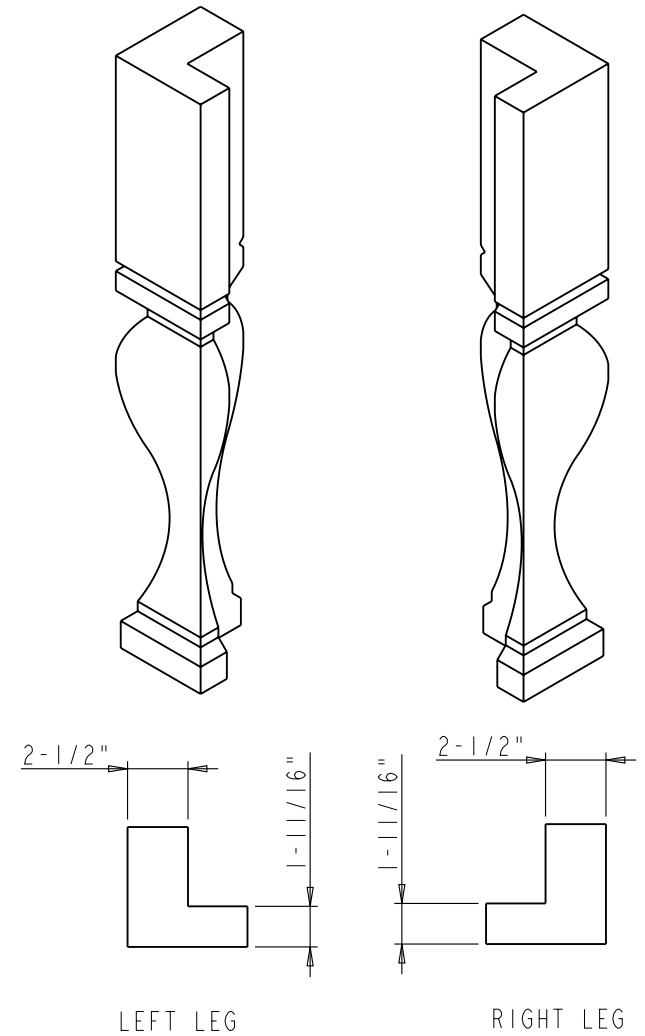
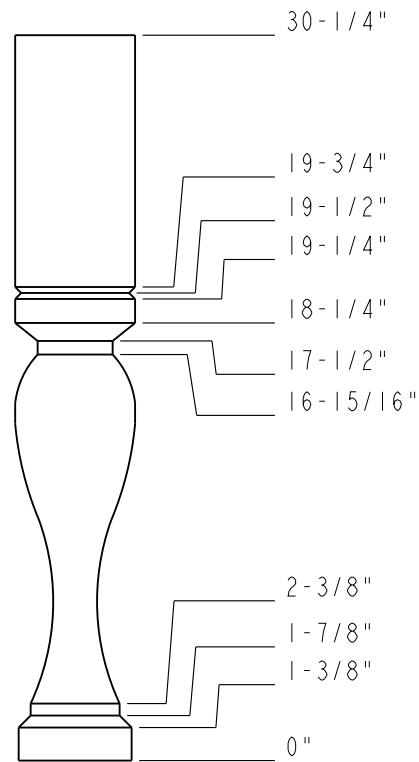
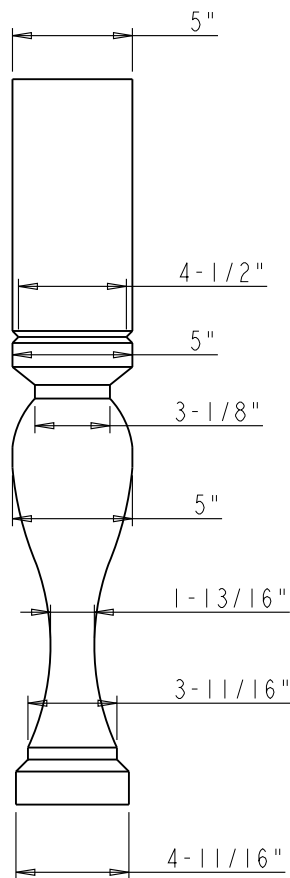


DETAIL B
SCALE 2:5



DETAIL C
SCALE 2:5

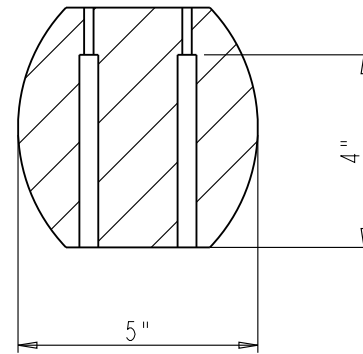
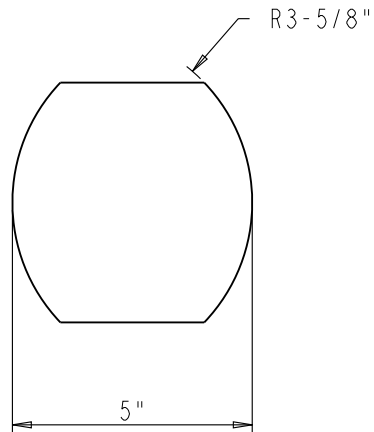
	ITEM:	DOOR-SIDE		MATERIAL:
	FINISH:			WEIGHT:
PROPRIETARY AND CONFIDENTIAL THE INFORMATION CONTAINED IN THIS DRAWING IS THE SOLE PROPERTY OF HARDWARE RESOURCES INC. ANY REPRODUCTION IN PART OR AS A WHOLE WITHOUT THE WRITTEN PERMISSION OF HARDWARE RESOURCES INC. IS PROHIBITED.	TOLERANCE UNLESS OTHERWISE SPECIFIED:	UNIT:	DRAWN BY:	DATE:
	X: MM ±0.20	SIZE:	alan.liu	DATE:
	X.X: MM ±0.10	APPROVED BY:		DATE:
X.XX: MM ±0.05		PAGE 14		
ANGULAR: ±0.5°				
DO NOT SCALE DRAWING				



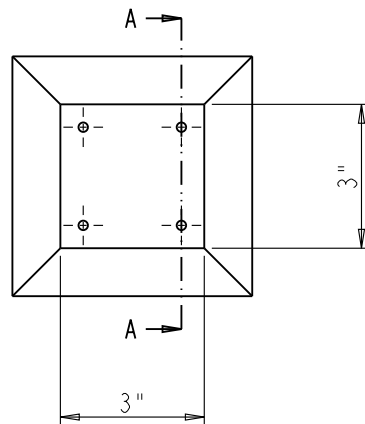
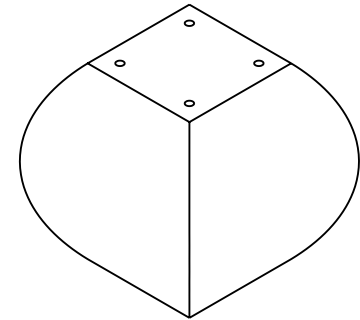
Specification:

1. Material: Birch

	ITEM: LEG-TOP		MATERIAL:		
	FINISH:		WEIGHT: 9		
PROPRIETARY AND CONFIDENTIAL THE INFORMATION CONTAINED IN THIS DRAWING IS THE SOLE PROPERTY OF HARDWARE RESOURCES INC. ANY REPRODUCTION IN PART OR AS A WHOLE WITHOUT THE WRITTEN PERMISSION OF HARDWARE RESOURCES INC. IS PROHIBITED.	TOLERANCE UNLESS OTHERWISE SPECIFIED: X: MM ±0.20 XX: MM ±0.10 XXX: MM ±0.05 ANGULAR: ±0.5° DO NOT SCALE DRAWING		UNIT:	DRAWN BY: <i>alan.liu</i>	DATE:
	SIZE:	CHECKED BY:	DATE:		
	PAGE 15		APPROVED BY:	DATE:	
	PROJECTION:				



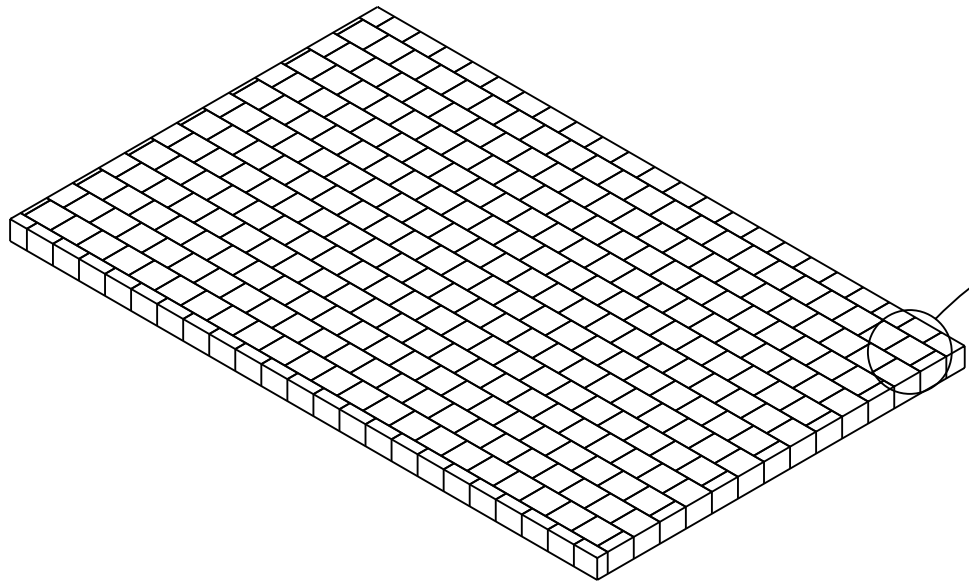
SECTION A-A



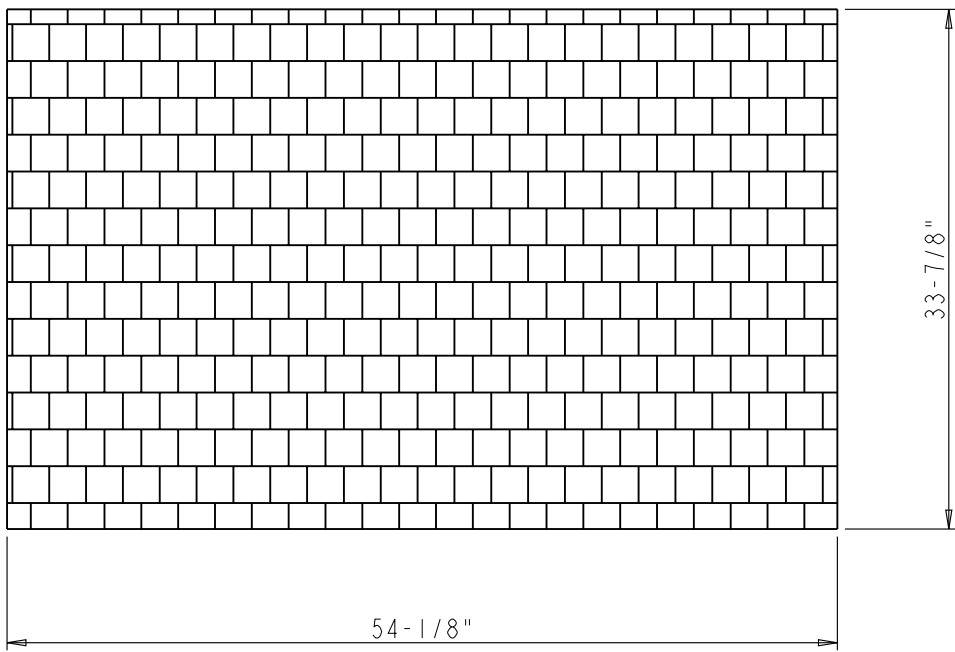
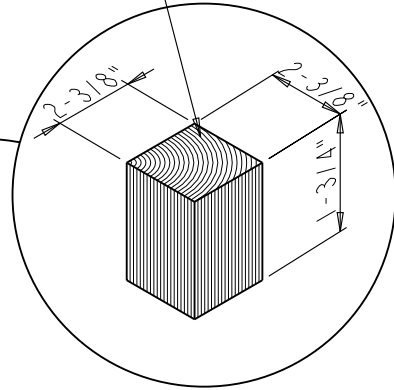
Specification:

1. Material: Birch

	ITEM: LEG-BTM		MATERIAL:		
	FINISH:		WEIGHT: 9		
PROPRIETARY AND CONFIDENTIAL THE INFORMATION CONTAINED IN THIS DRAWING IS THE SOLE PROPERTY OF HARDWARE RESOURCES INC. ANY REPRODUCTION IN PART OR AS A WHOLE WITHOUT THE WRITTEN PERMISSION OF HARDWARE RESOURCES INC. IS PROHIBITED.	TOLERANCE UNLESS OTHERWISE SPECIFIED: X: MM ±0.20 X.X: MM ±0.10 X.XX: MM ±0.05 ANGULAR: ±0.5° DO NOT SCALE DRAWING		UNIT:	DRAWN BY: <i>alan.liu</i>	DATE:
	SIZE:	CHECKED BY:	DATE:		
	PAGE 16		APPROVED BY:	DATE:	
	PROJECTION:				



END GRAIN FACING UP



Specification:

- 1. Top: 1-3/4" Maple Butcher Block Treated With Mineral Oil

	ITEM: TOP-BOARD		MATERIAL:		
	FINISH:		WEIGHT: 9		
<p>PROPRIETARY AND CONFIDENTIAL</p> <p>THE INFORMATION CONTAINED IN THIS DRAWING IS THE SOLE PROPERTY OF HARDWARE RESOURCES INC. ANY REPRODUCTION IN PART OR AS A WHOLE WITHOUT THE WRITTEN PERMISSION OF HARDWARE RESOURCES INC. IS PROHIBITED</p>	<p>TOLERANCE UNLESS OTHERWISE SPECIFIED:</p> <p>X: MM ±0.20</p> <p>XX: MM ±0.10</p> <p>XXX: MM ±0.05</p> <p>ANGULAR: ±0.5°</p> <p>DO NOT SCALE DRAWING</p>		<p>UNIT:</p>	<p>DRAWN BY:</p> <p><i>alan.liu</i></p>	<p>DATE:</p>
	<p>PROJECTION: </p>		<p>SIZE:</p>	<p>CHECKED BY:</p>	<p>DATE:</p>
	<p>PAGE 17</p>		<p>APPROVED BY:</p>	<p>DATE:</p>	