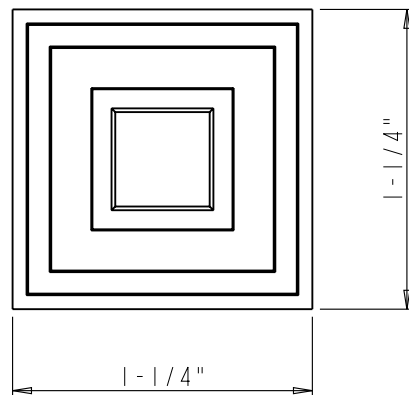


DETAIL A  
SCALE 5:2



|  |                                       |              |           |             |         |
|--|---------------------------------------|--------------|-----------|-------------|---------|
|  | ITEM:                                 | 585L         |           | MATERIAL:   | Zinc    |
|  | FINISH:                               |              |           | WEIGHT:     | 72.52 g |
| <b>PROPRIETARY AND CONFIDENTIAL</b><br>THE INFORMATION CONTAINED IN THIS DRAWING IS THE SOLE PROPERTY OF HARDWARE RESOURCES INC. ANY REPRODUCTION IN PART OR AS A WHOLE WITHOUT THE WRITTEN PERMISSION OF HARDWARE RESOURCES INC. IS PROHIBITED. | TOLERANCE UNLESS OTHERWISE SPECIFIED: | UNIT:        | DRAWN BY: | DATE:       |         |
|  | X: MM ±0.20                           | SIZE:        | alvin.liu | CHECKED BY: | DATE:   |
|  | X.X: MM ±0.10                         | APPROVED BY: |           | DATE:       |         |
|  | X.XX: MM ±0.05                        |              |           |             |         |
|  | ANGULAR: ±0.5°                        |              |           |             |         |
|  | DO NOT SCALE DRAWING                  |              |           |             |         |