
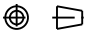
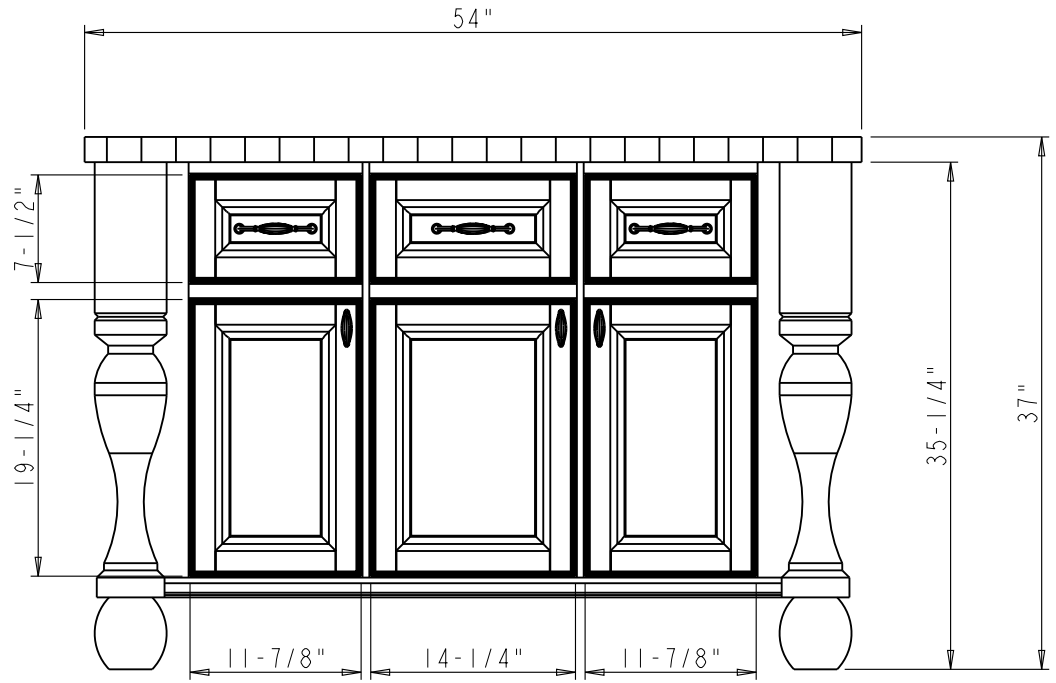


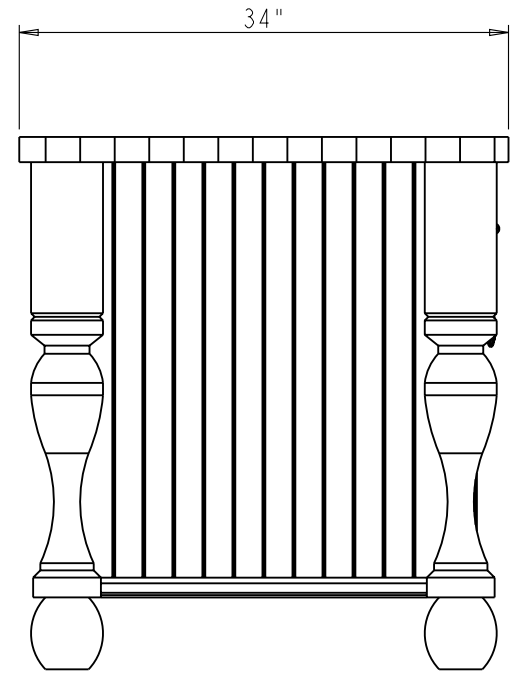
Specification:

1. Material: MDF and Birch
2. Finish: AWH
AQU
DBK
RED
3. Hardware:
ISL01 in AWH, 618DBAC (3 PCS) for Doors
718DBAC (3 PCS) for Drawers
ISL01 in AQU/DBK/RED, 618BNMDL (3 PCS) for Doors
718BNMDL (3 PCS) for Drawers
4. Slides: 303FU-16 (3 SETS)
5. Hinge: 500.0535.05 with 400.0118.05 Plate
6. Shelf Supports: 1706 (20 PCS)
7. Drawer Boxes: 5/8" Rubber wood
Clear color
Dovetail
8. Top: 1-3/4" Maple Butcher Block Treated With Mineral Oil
9. The tolerance is +/- 1/8"

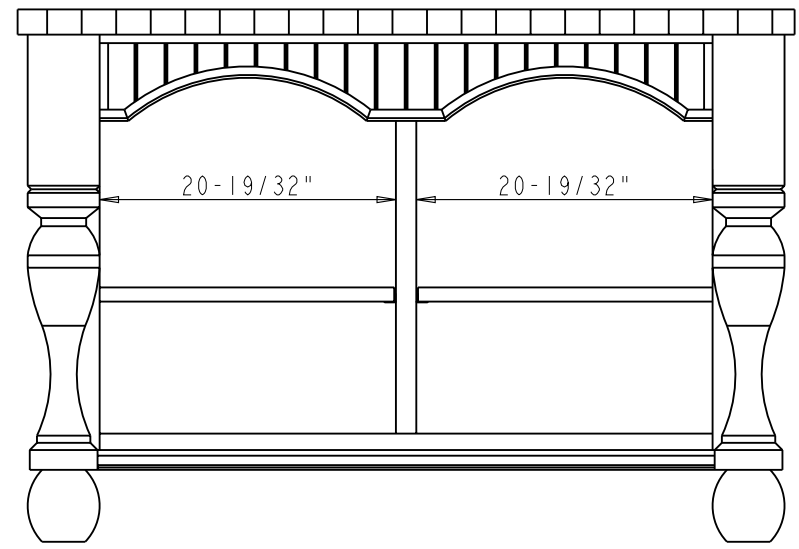
	ITEM#: ISL01		MATERIAL:	
	FINISH:		WEIGHT: 9	
PROPRIETARY AND CONFIDENTIAL THE INFORMATION CONTAINED IN THIS DRAWING IS THE SOLE PROPERTY OF HARDWARE RESOURCES INC. ANY REPRODUCTION IN PART OR AS A WHOLE WITHOUT THE WRITTEN PERMISSION OF HARDWARE RESOURCES INC. IS PROHIBITED	PROJECTION: 		UNIT: DRAWN BY: <i>alan.liu</i> DATE:	
	DO NOT SCALE DRAWING			
			PAGE 01	



FRONT VIEW

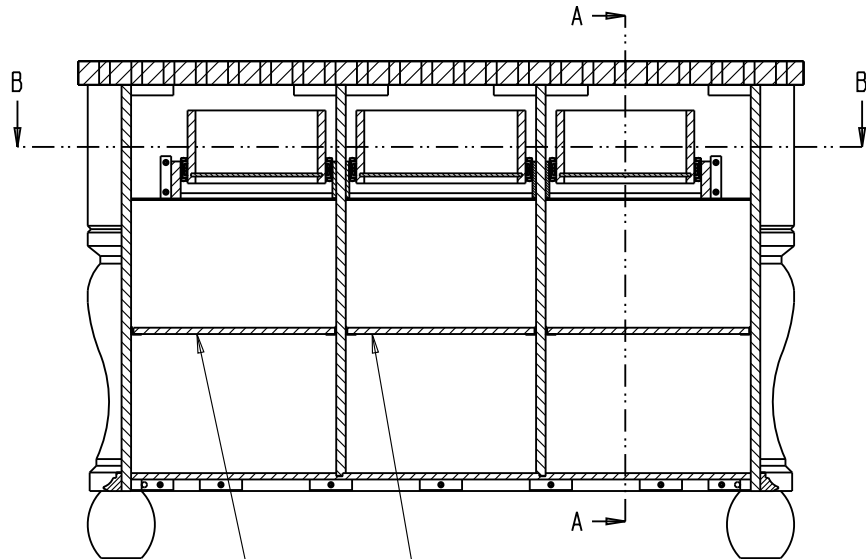


SIDE VIEW



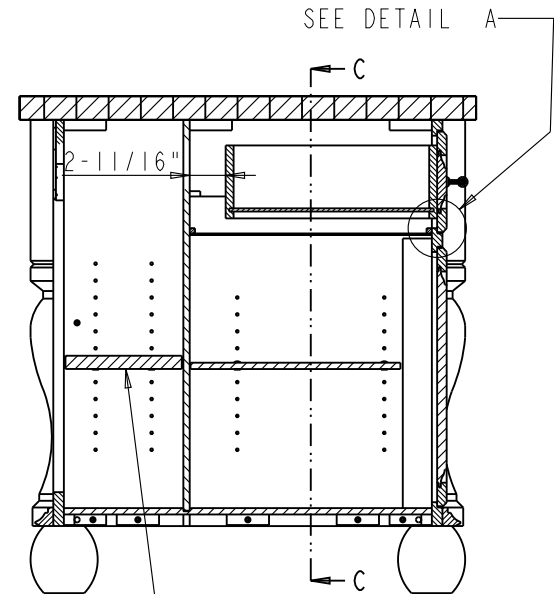
REAR VIEW

	ITEM#: 1SL01		MATERIAL:	
	FINISH:		WEIGHT: 9	
PROPRIETARY AND CONFIDENTIAL THE INFORMATION CONTAINED IN THIS DRAWING IS THE SOLE PROPERTY OF HARDWARE RESOURCES INC. ANY REPRODUCTION IN PART OR AS A WHOLE WITHOUT THE WRITTEN PERMISSION OF HARDWARE RESOURCES INC. IS PROHIBITED.	DO NOT SCALE DRAWING	UNIT:	DRAWN BY: <i>alan.liu</i>	DATE:
		SIZE:	CHECKED BY:	DATE:
		PAGE 02	APPROVED BY:	DATE:
			PROJECTION:	



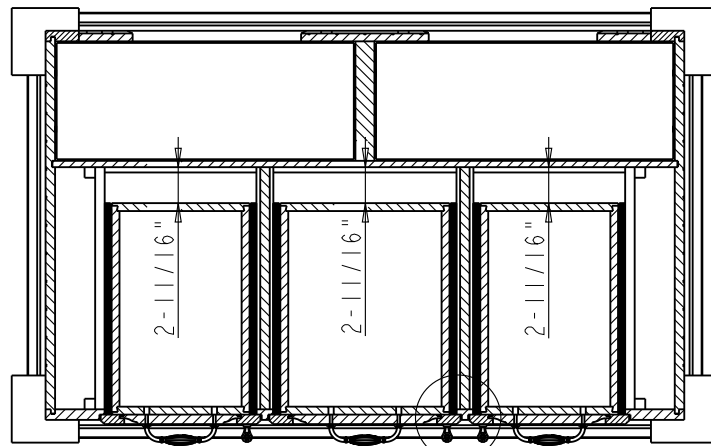
SHELF-BOARD-FRONT-MID
SHELF-BOARD-FRONT-SIDE

SECTION C-C



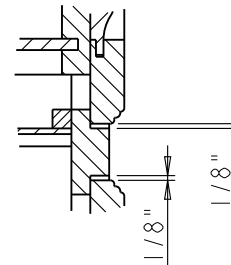
SHELF-BOARD-BACK

SECTION A-A

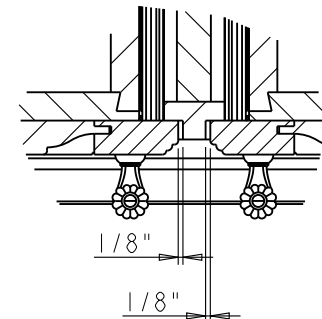


SEE DETAIL B

SECTION B-B

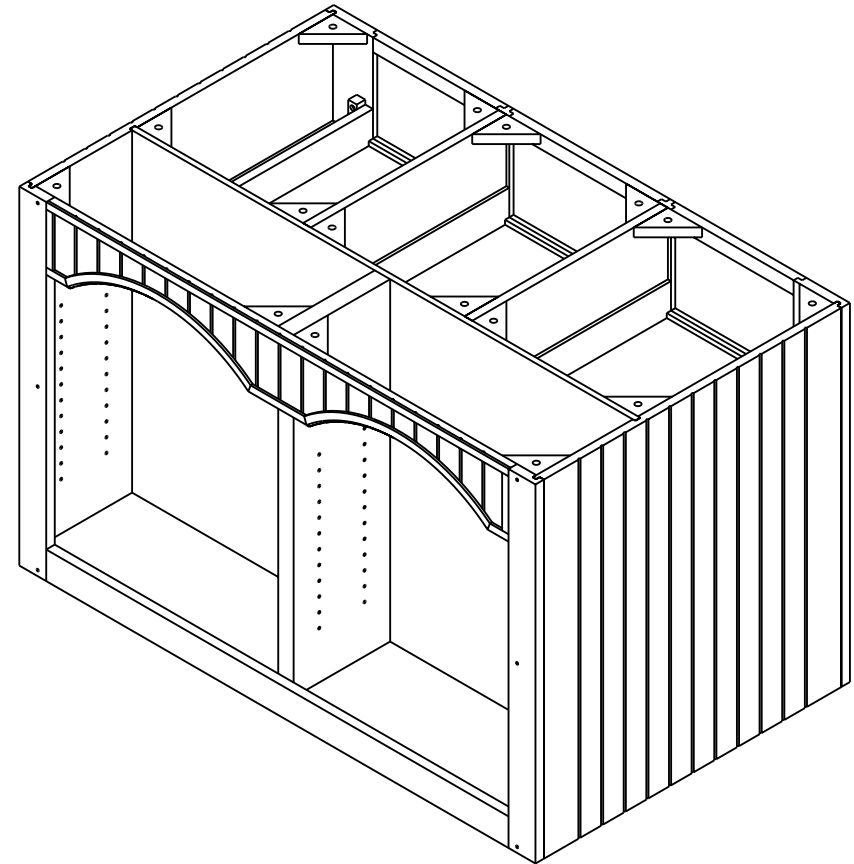
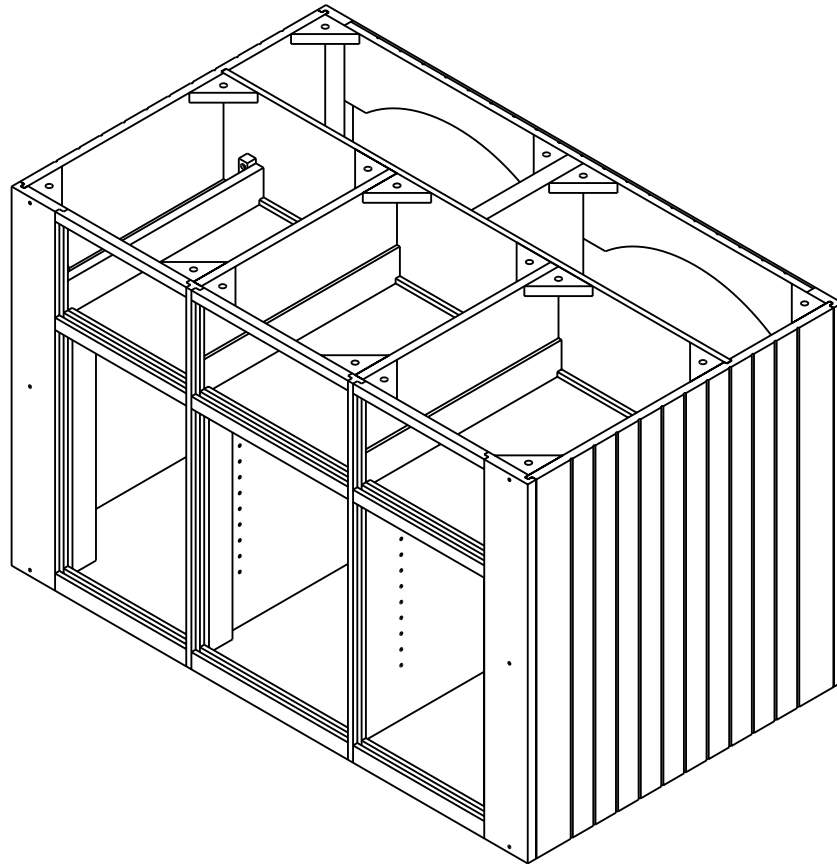


DETAIL A




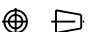
DETAIL B

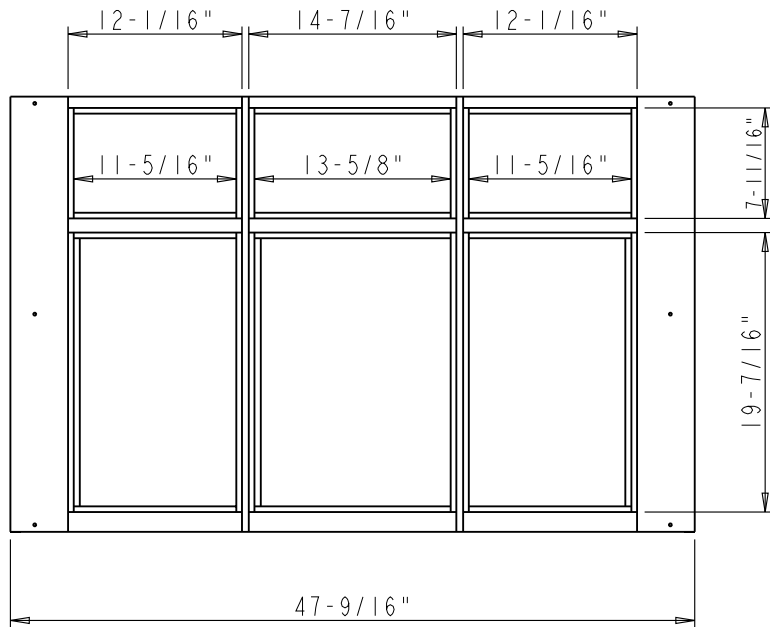
	ITEM:	1SL01		MATERIAL:
	FINISH:			WEIGHT:
PROPRIETARY AND CONFIDENTIAL THE INFORMATION CONTAINED IN THIS DRAWING IS THE SOLE PROPERTY OF HARDWARE RESOURCES INC. ANY REPRODUCTION IN PART OR AS A WHOLE WITHOUT THE WRITTEN PERMISSION OF HARDWARE RESOURCES INC. IS PROHIBITED.	DO NOT SCALE DRAWING	UNIT:	DRAWN BY:	DATE:
		SIZE:	CHECKED BY:	DATE:
		PAGE 03	APPROVED BY:	DATE:
		PROJECTION:		g



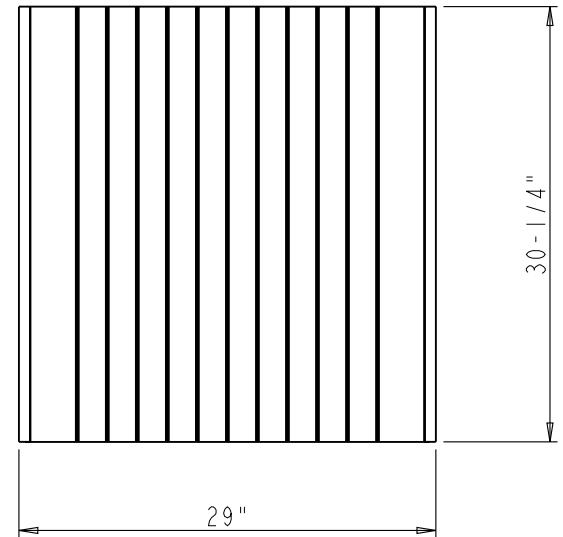
Specification:

1. Material: MDF and Birch

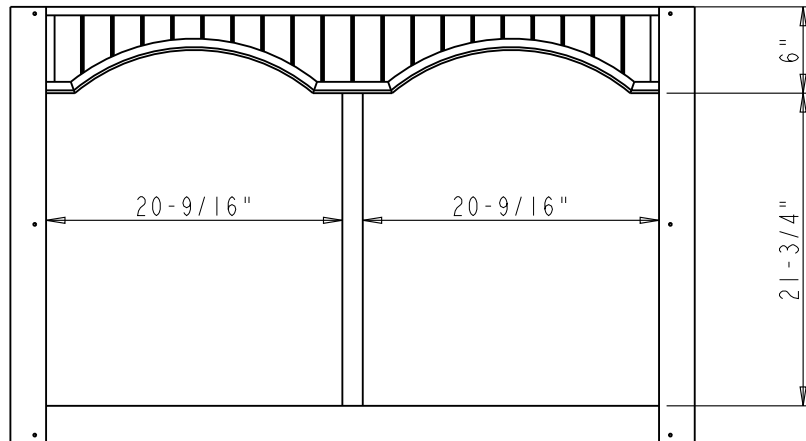
	ITEM#: CABINET		MATERIAL:	
	FINISH:		WEIGHT: 9	
<p>PROPRIETARY AND CONFIDENTIAL</p> <p>THE INFORMATION CONTAINED IN THIS DRAWING IS THE SOLE PROPERTY OF HARDWARE RESOURCES INC. ANY REPRODUCTION IN PART OR AS A WHOLE WITHOUT THE WRITTEN PERMISSION OF HARDWARE RESOURCES INC. IS PROHIBITED</p>	DO NOT SCALE DRAWING		PROJECTION: 	
	UNIT:	DRAWN BY: <i>alan.liu</i>	DATE:	
	SIZE:	CHECKED BY:	DATE:	
PAGE 04		APPROVED BY:	DATE:	



FRONT VIEW

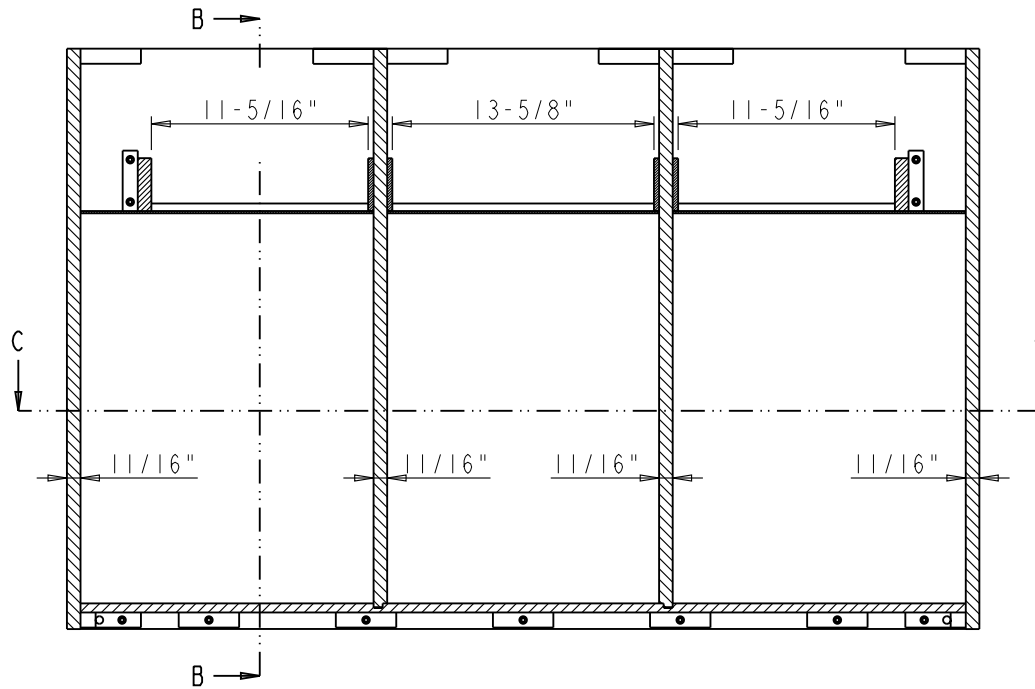


SIDE VIEW

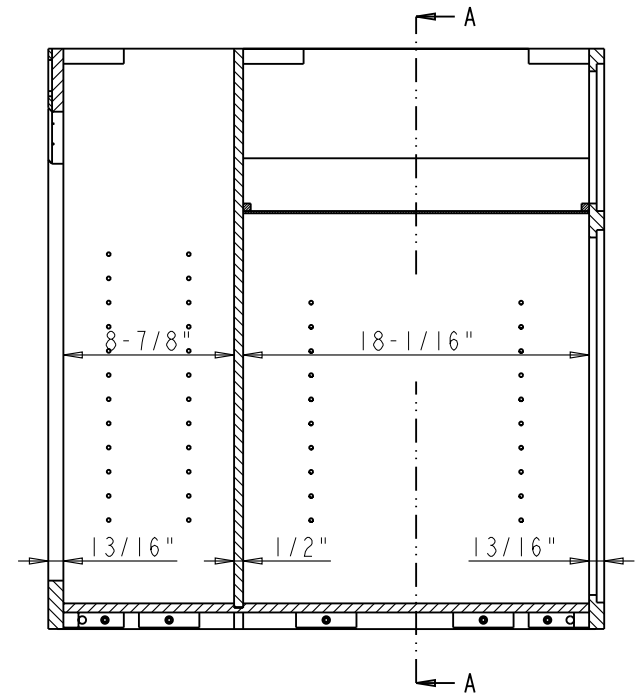


REAR VIEW

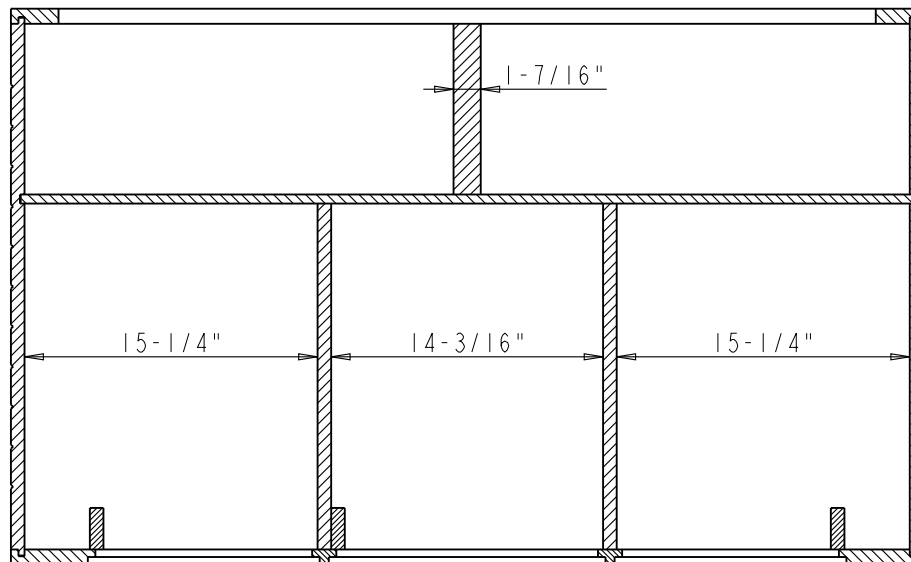
	ITEM#: CABINET		MATERIAL:	
	FINISH:		WEIGHT: 9	
PROPRIETARY AND CONFIDENTIAL THE INFORMATION CONTAINED IN THIS DRAWING IS THE SOLE PROPERTY OF HARDWARE RESOURCES INC. ANY REPRODUCTION IN PART OR AS A WHOLE WITHOUT THE WRITTEN PERMISSION OF HARDWARE RESOURCES INC. IS PROHIBITED.	DO NOT SCALE DRAWING	UNIT:	DRAWN BY: <i>alan.liu</i>	DATE:
		SIZE:	CHECKED BY:	DATE:
		PAGE 05	APPROVED BY:	DATE:
			PROJECTION:	



SECTION A-A

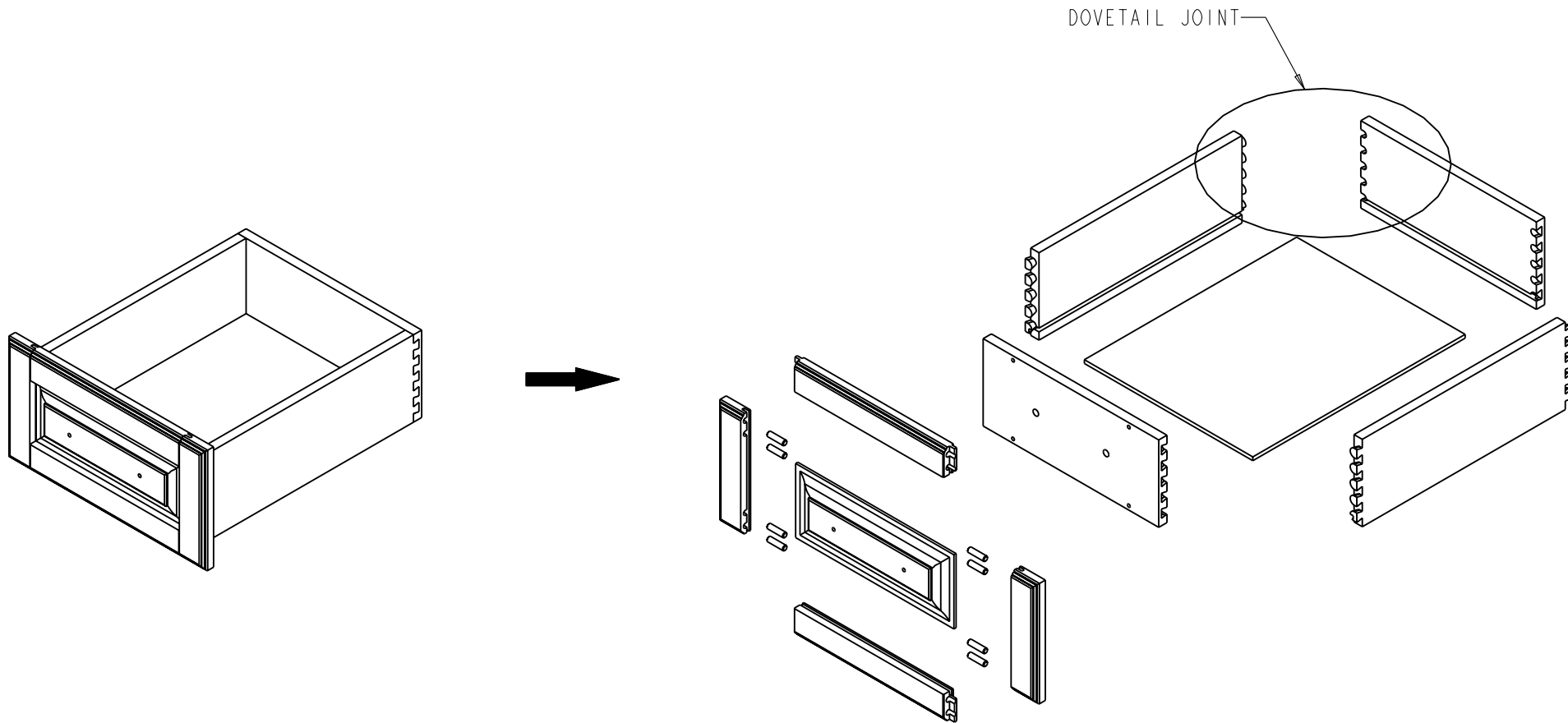


SECTION B-B



SECTION C-C

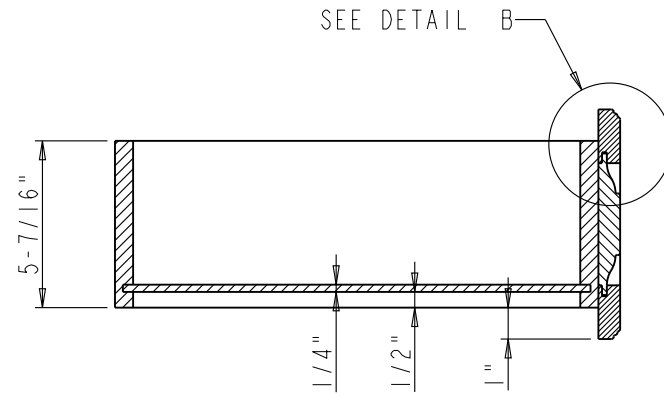
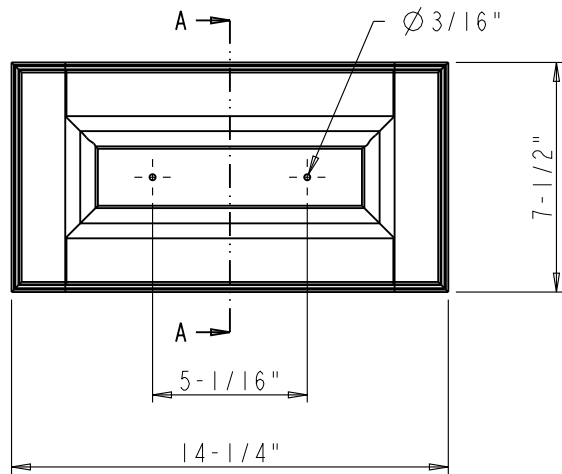
	ITEM:	CABINET		MATERIAL:
	FINISH:			WEIGHT: 9
PROPRIETARY AND CONFIDENTIAL THE INFORMATION CONTAINED IN THIS DRAWING IS THE SOLE PROPERTY OF HARDWARE RESOURCES INC. ANY REPRODUCTION IN PART OR AS A WHOLE WITHOUT THE WRITTEN PERMISSION OF HARDWARE RESOURCES INC. IS PROHIBITED.	DO NOT SCALE DRAWING	UNIT:	DRAWN BY:	DATE:
		SIZE:	<i>alan.liu</i> CHECKED BY:	DATE:
		PAGE 06	APPROVED BY:	DATE:
			PROJECTION:	



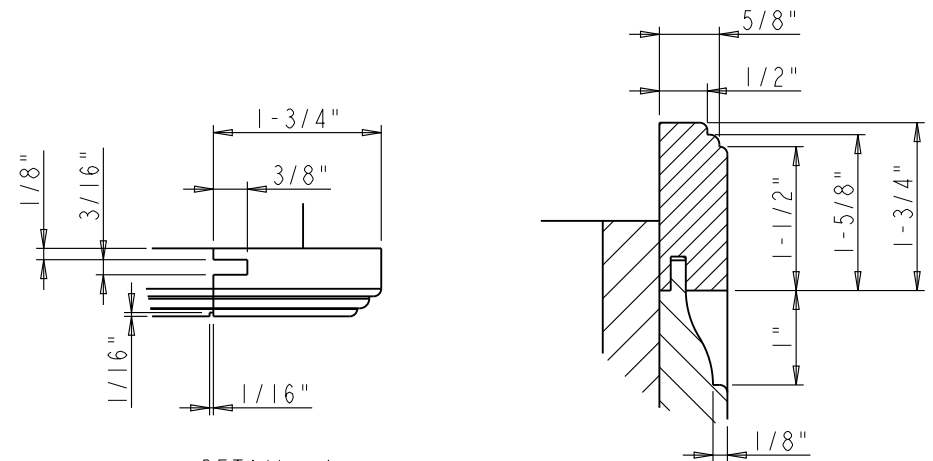
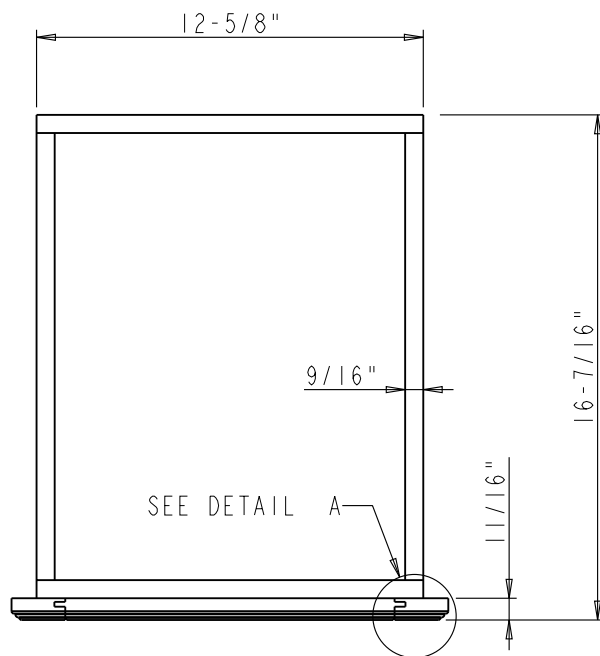
Specification:

- 1. Drawer Boxes: 5/8" Rubber wood
Clear color
Dovetail

	ITEM#: DRAWER-MID		MATERIAL:		
	FINISH:		WEIGHT: 9		
PROPRIETARY AND CONFIDENTIAL THE INFORMATION CONTAINED IN THIS DRAWING IS THE SOLE PROPERTY OF HARDWARE RESOURCES INC. ANY REPRODUCTION IN PART OR AS A WHOLE WITHOUT THE WRITTEN PERMISSION OF HARDWARE RESOURCES INC. IS PROHIBITED	DO NOT SCALE DRAWING		UNIT:	DRAWN BY: <i>alan.liu</i>	DATE:
			SIZE:	CHECKED BY:	DATE:
			PAGE 07		APPROVED BY:
			PROJECTION:		



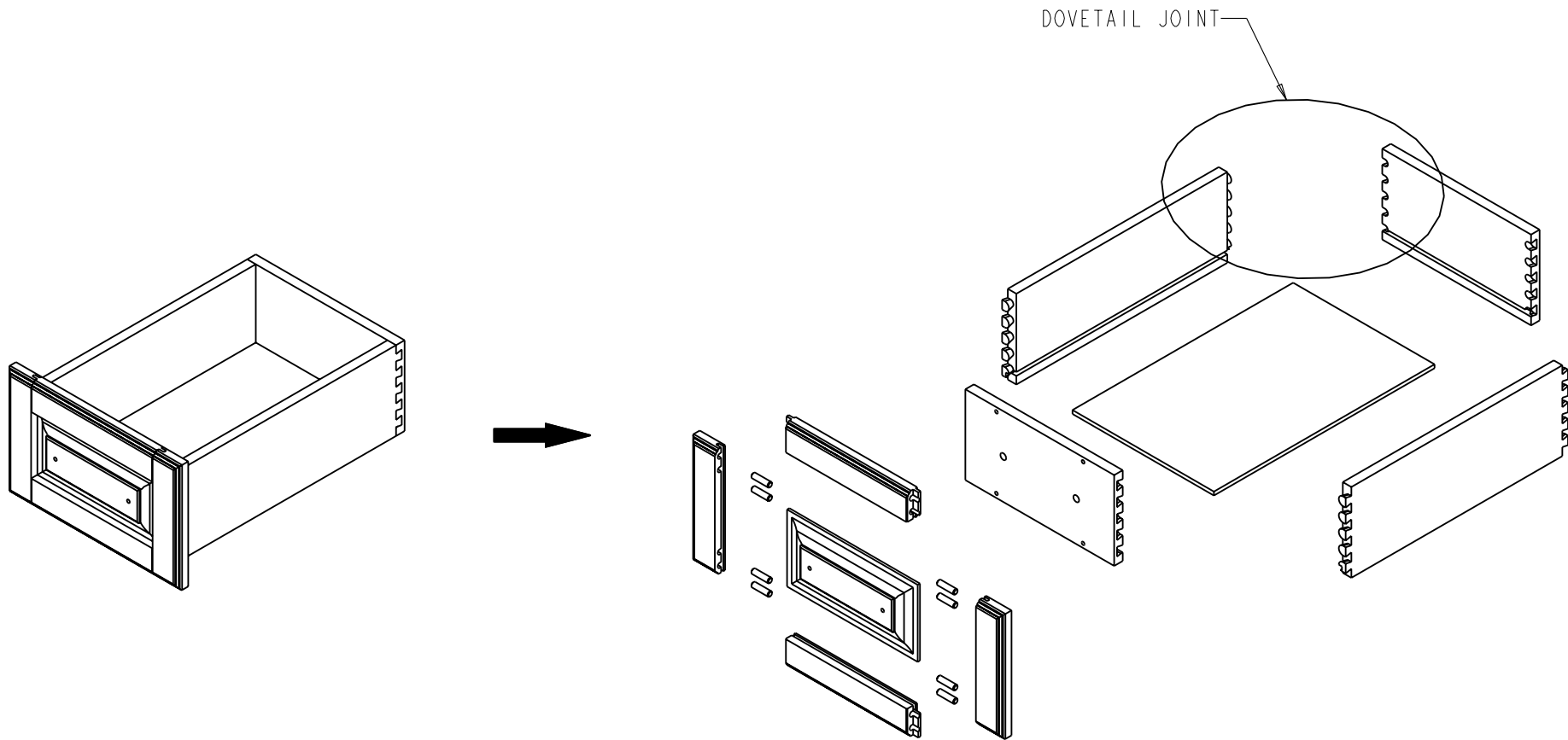
SECTION A-A



DETAIL A
SCALE 1:2

DETAIL B
SCALE 1:2

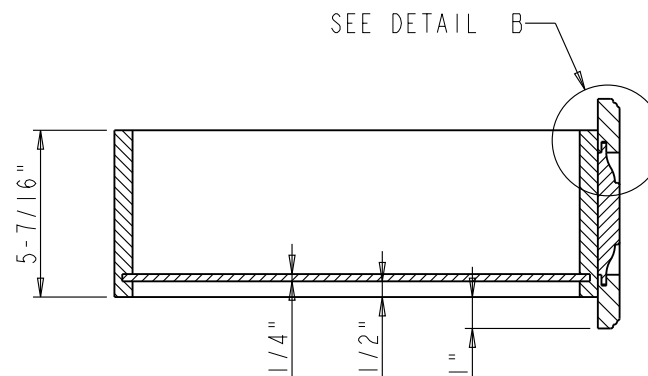
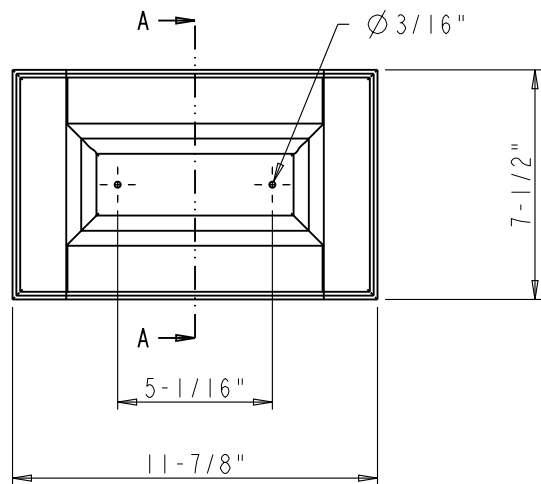
	ITEM:	DRAWER-MID		MATERIAL:
	FINISH:			WEIGHT: 9
PROPRIETARY AND CONFIDENTIAL THE INFORMATION CONTAINED IN THIS DRAWING IS THE SOLE PROPERTY OF HARDWARE RESOURCES INC. ANY REPRODUCTION IN PART OR AS A WHOLE WITHOUT THE WRITTEN PERMISSION OF HARDWARE RESOURCES INC. IS PROHIBITED.	DO NOT SCALE DRAWING	UNIT:	DRAWN BY:	DATE:
		SIZE:	CHECKED BY:	DATE:
		PAGE 08	APPROVED BY:	DATE:



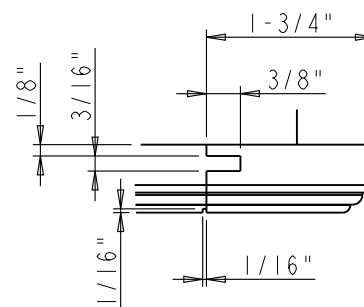
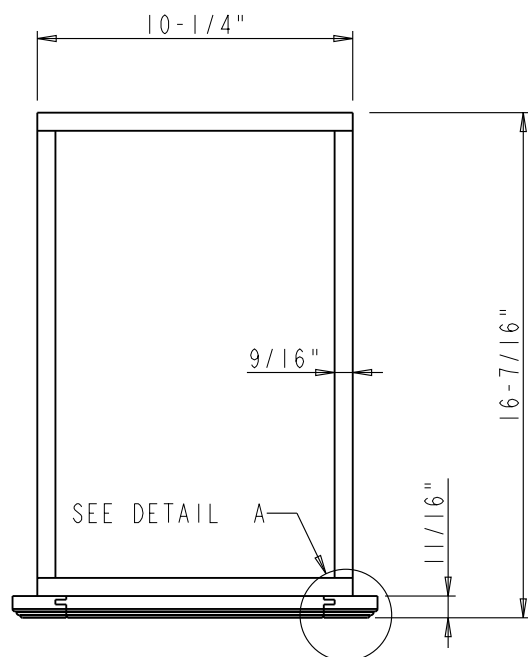
Specification:

- 1. Drawer Boxes: 5/8" Rubber wood
Clear color
Dovetail

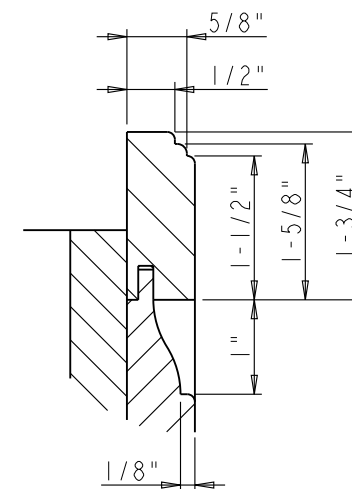
	ITEM: DRAWER-SIDE		MATERIAL:			
	FINISH:		WEIGHT: 9			
PROPRIETARY AND CONFIDENTIAL THE INFORMATION CONTAINED IN THIS DRAWING IS THE SOLE PROPERTY OF HARDWARE RESOURCES INC. ANY REPRODUCTION IN PART OR AS A WHOLE WITHOUT THE WRITTEN PERMISSION OF HARDWARE RESOURCES INC. IS PROHIBITED	DO NOT SCALE DRAWING		PROJECTION:			
			UNIT:	DRAWN BY: <i>alan.liu</i>	DATE:	
			SIZE:	CHECKED BY:	DATE:	
PAGE 09		APPROVED BY:	DATE:			



SECTION A-A

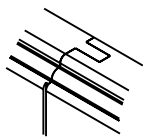
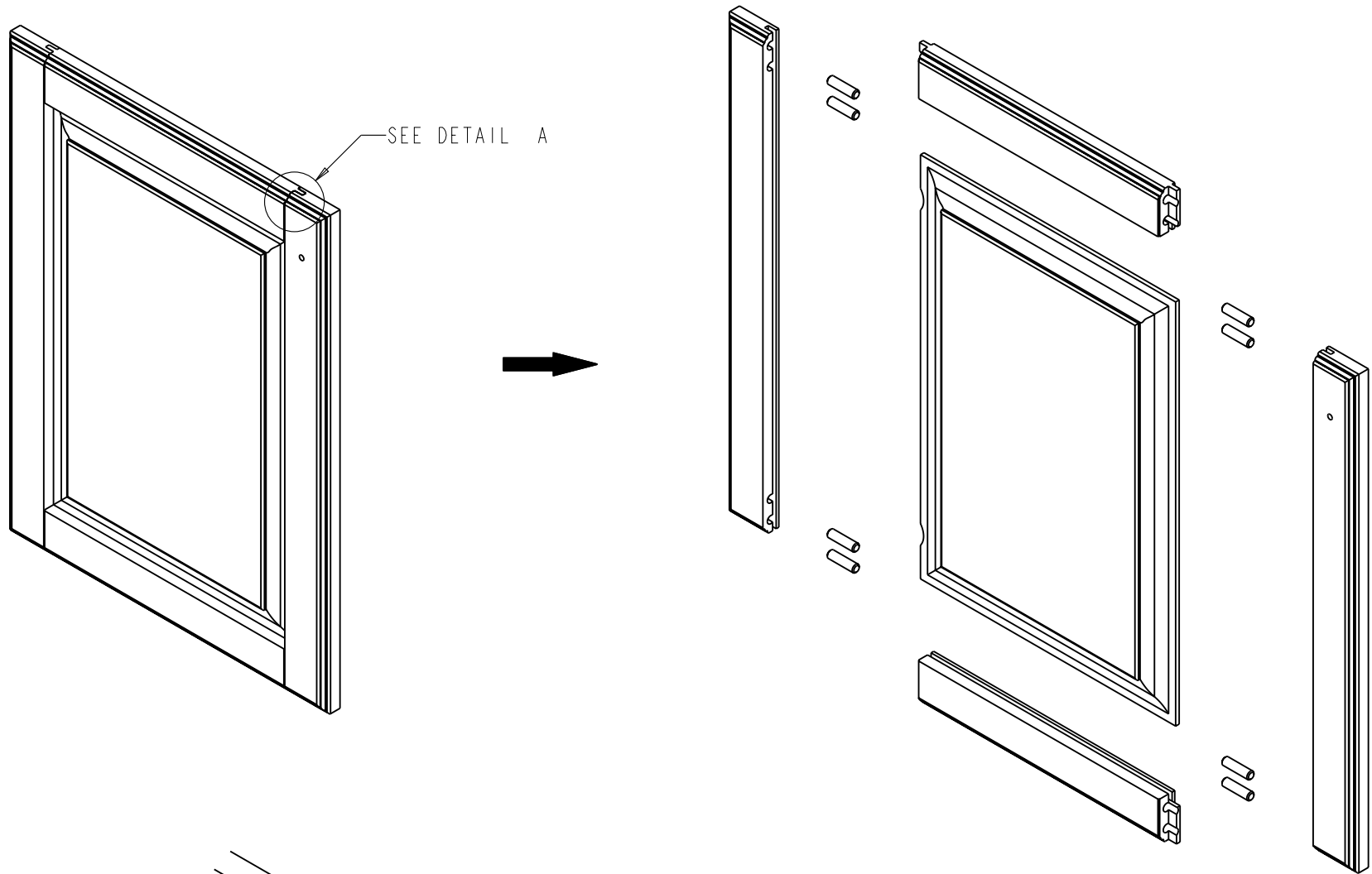


DETAIL A
SCALE 1:2



DETAIL B
SCALE 1:2

	ITEM: DRAWER-SIDE		MATERIAL:	
	FINISH:		WEIGHT: 9	
PROPRIETARY AND CONFIDENTIAL THE INFORMATION CONTAINED IN THIS DRAWING IS THE SOLE PROPERTY OF HARDWARE RESOURCES INC. ANY REPRODUCTION IN PART OR AS A WHOLE WITHOUT THE WRITTEN PERMISSION OF HARDWARE RESOURCES INC. IS PROHIBITED.	DO NOT SCALE DRAWING	UNIT:	DRAWN BY: alan.liu	DATE:
		SIZE:	CHECKED BY:	DATE:
		PAGE 10	APPROVED BY:	DATE:
			PROJECTION:	

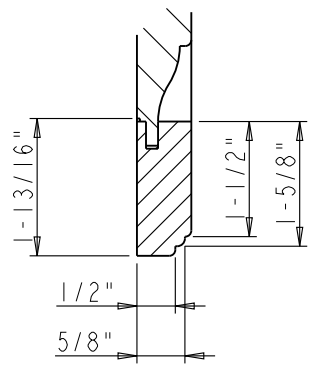
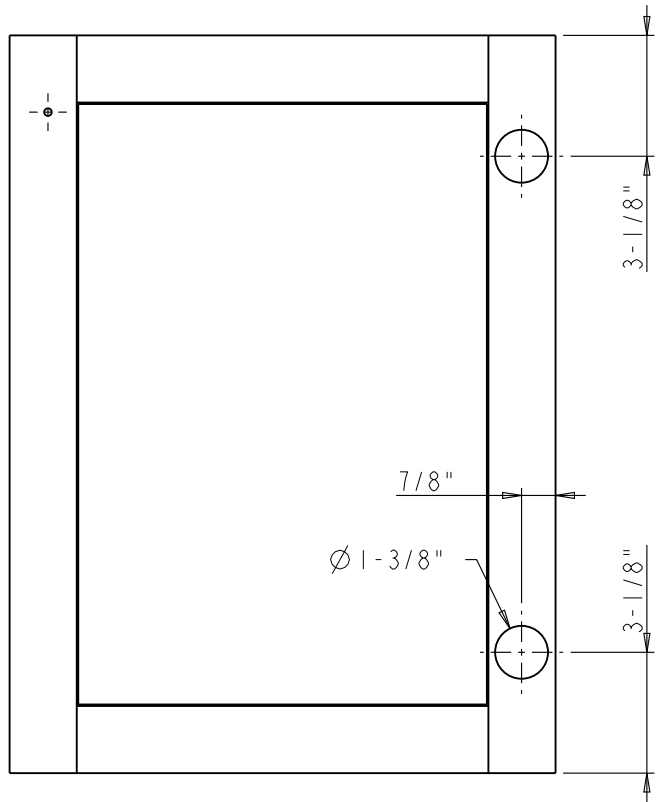
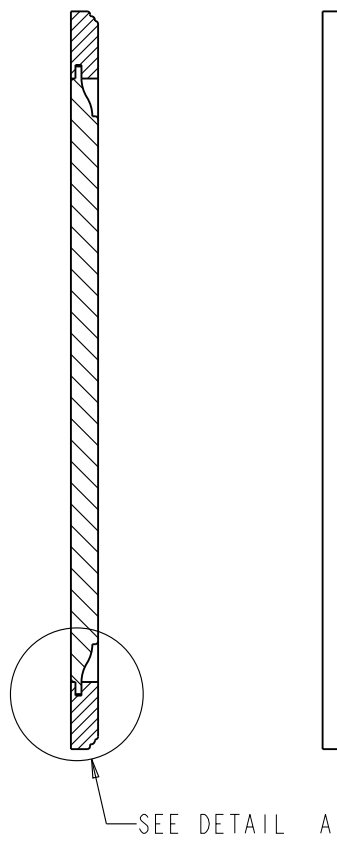
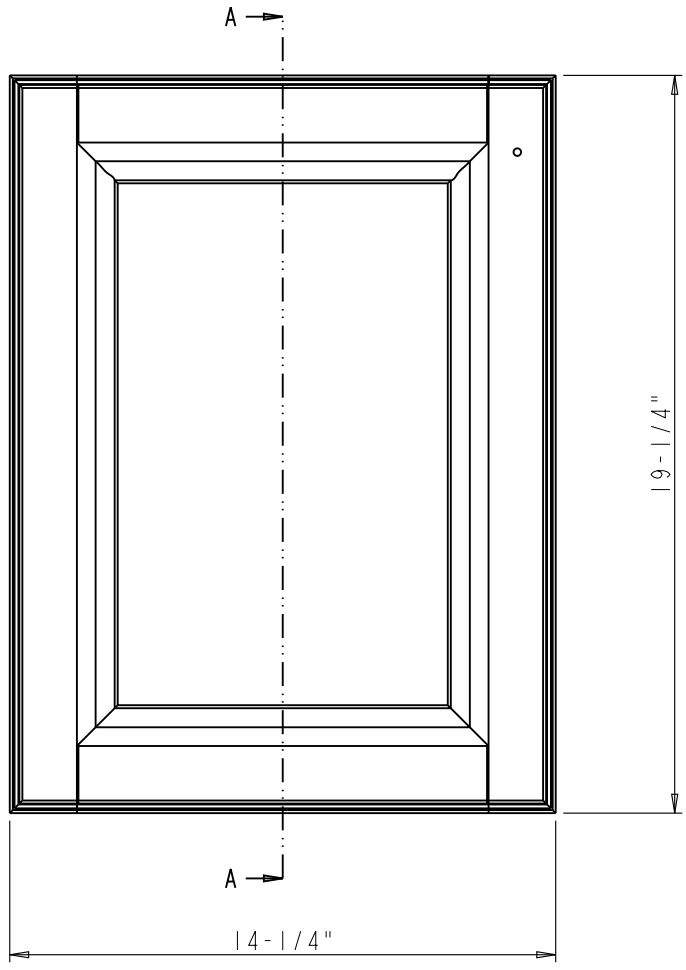


DETAIL A

Specification:

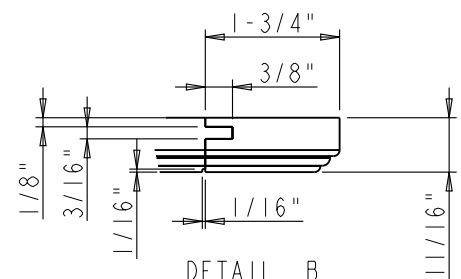
1. Material: MDF and Birch

	ITEM: DOOR-MID		MATERIAL:		
	FINISH:		WEIGHT: 9		
PROPRIETARY AND CONFIDENTIAL THE INFORMATION CONTAINED IN THIS DRAWING IS THE SOLE PROPERTY OF HARDWARE RESOURCES INC. ANY REPRODUCTION IN PART OR AS A WHOLE WITHOUT THE WRITTEN PERMISSION OF HARDWARE RESOURCES INC. IS PROHIBITED.	DO NOT SCALE DRAWING	UNIT:	DRAWN BY: <i>alan.liu</i>	DATE:	
		SIZE:	CHECKED BY:	DATE:	
		PAGE 11		APPROVED BY:	DATE:
		PROJECTION:			



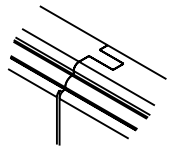
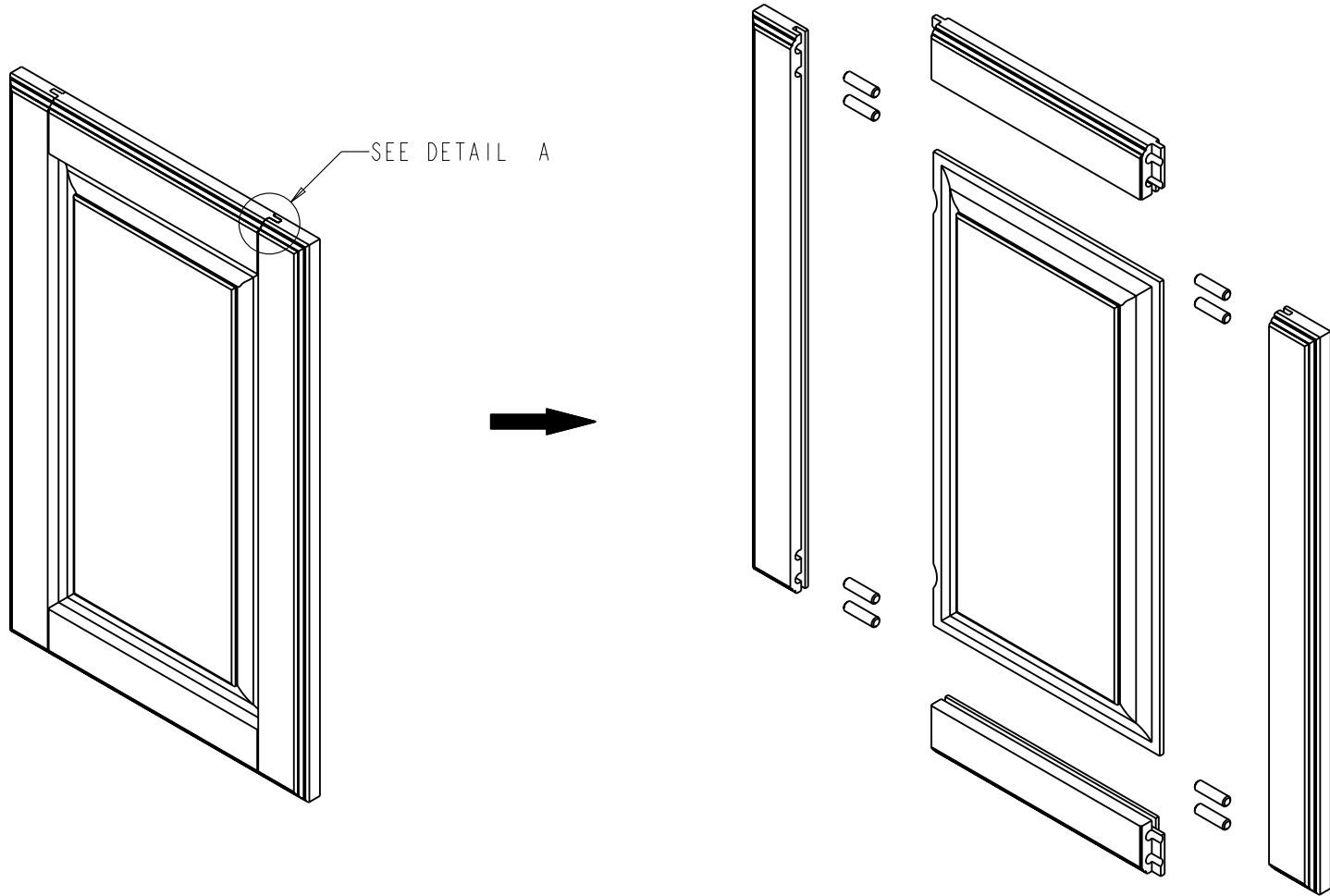
SECTION A-A

DETAIL A
SCALE 2:5



DETAIL B
SCALE 2:5

	ITEM: DOOR-MID		MATERIAL:	
	FINISH:		WEIGHT:	
PROPRIETARY AND CONFIDENTIAL THE INFORMATION CONTAINED IN THIS DRAWING IS THE SOLE PROPERTY OF HARDWARE RESOURCES INC. ANY REPRODUCTION IN PART OR AS A WHOLE WITHOUT THE WRITTEN PERMISSION OF HARDWARE RESOURCES INC. IS PROHIBITED.	DO NOT SCALE DRAWING		PROJECTION:	9
	UNIT:	DRAWN BY:	DATE:	
	SIZE:	CHECKED BY:	DATE:	
	PAGE 12	APPROVED BY:	DATE:	

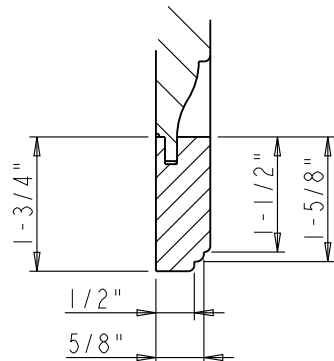
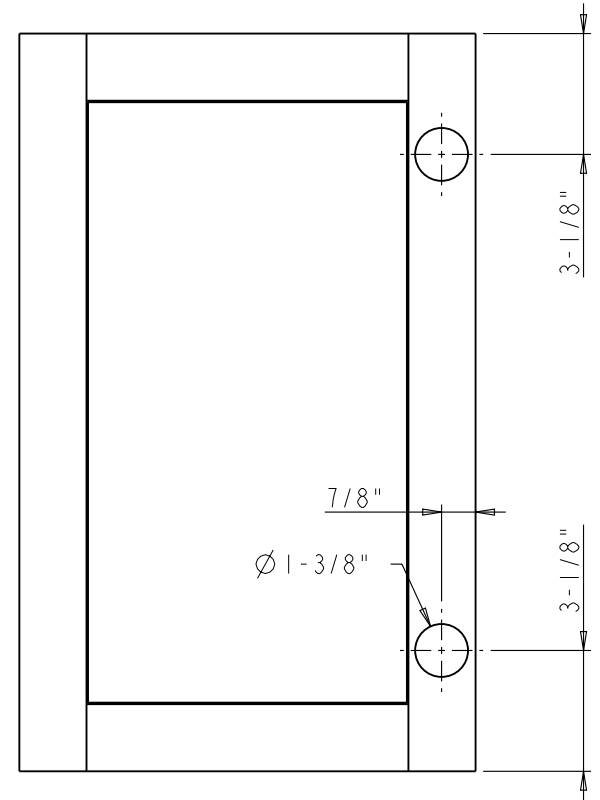
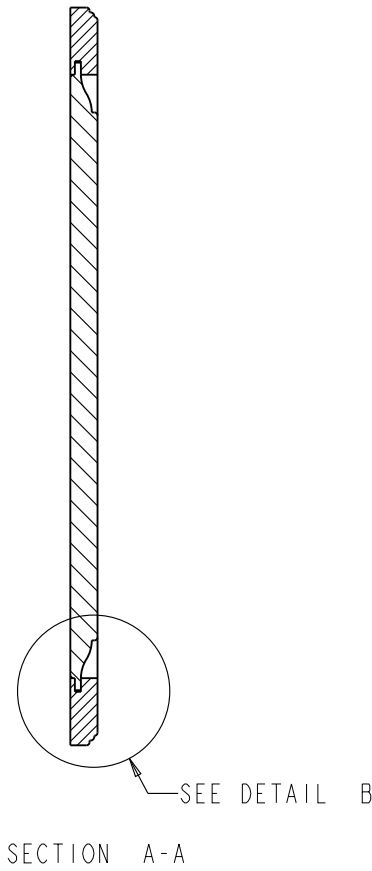
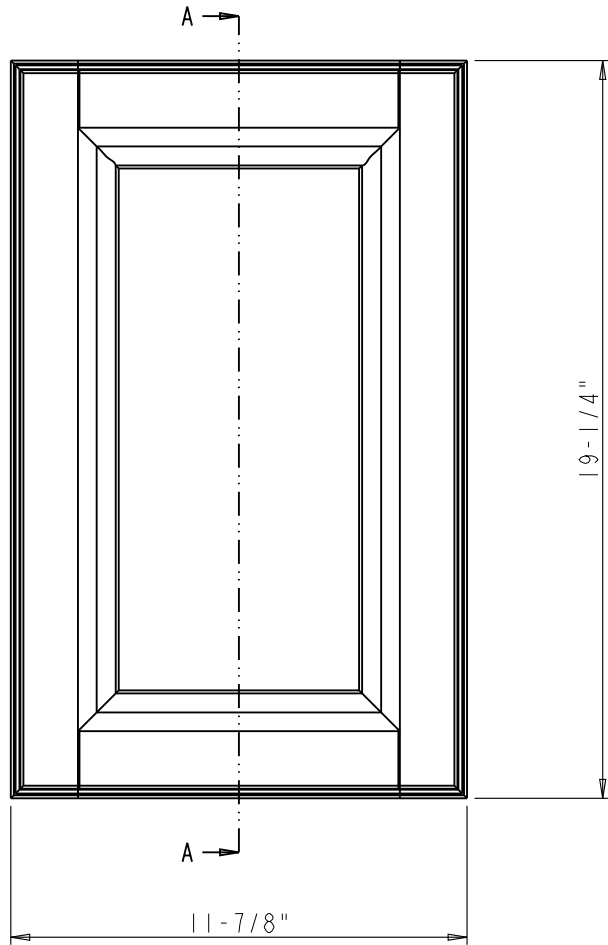


DETAIL A

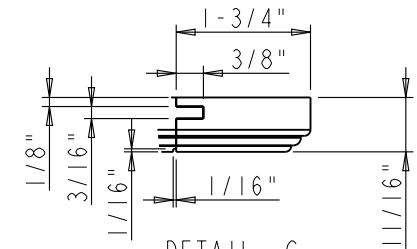
Specification:

1. Material: MDF and Birch

	ITEM: DOOR-SIDE		MATERIAL:	
	FINISH:		WEIGHT: 9	
PROPRIETARY AND CONFIDENTIAL THE INFORMATION CONTAINED IN THIS DRAWING IS THE SOLE PROPERTY OF HARDWARE RESOURCES INC. ANY REPRODUCTION IN PART OR AS A WHOLE WITHOUT THE WRITTEN PERMISSION OF HARDWARE RESOURCES INC. IS PROHIBITED.	DO NOT SCALE DRAWING	UNIT:	DRAWN BY: <i>alan.liu</i>	DATE:
		SIZE:	CHECKED BY:	DATE:
		PAGE 13	APPROVED BY:	DATE:
			PROJECTION:	

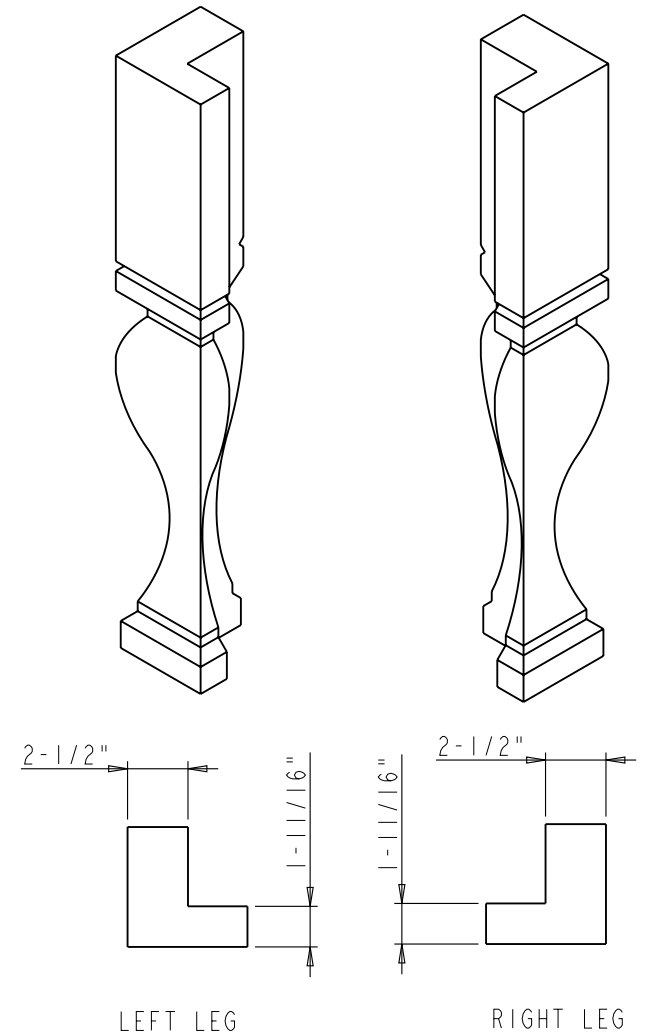
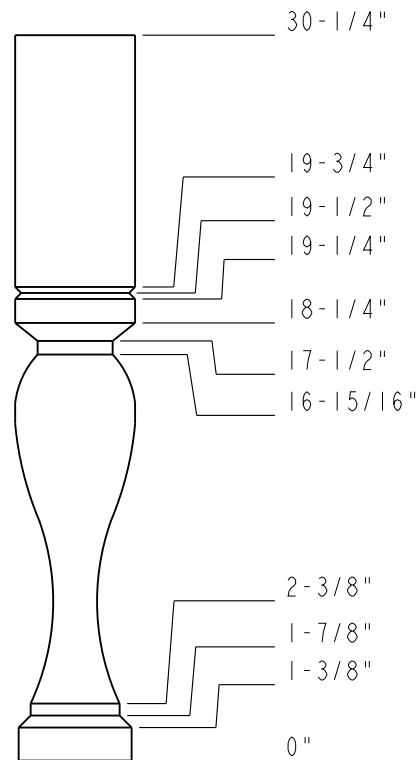
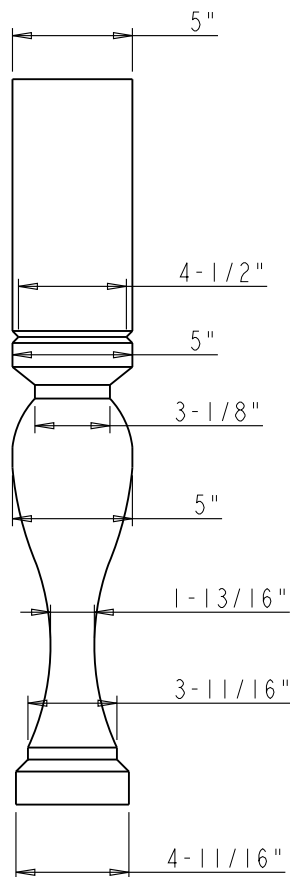


DETAIL B
SCALE 2:5



DETAIL C
SCALE 2:5

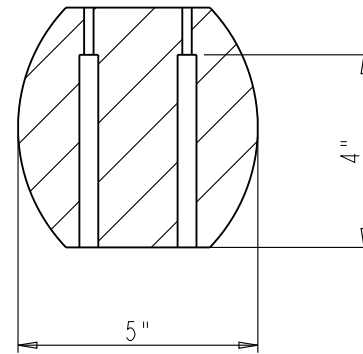
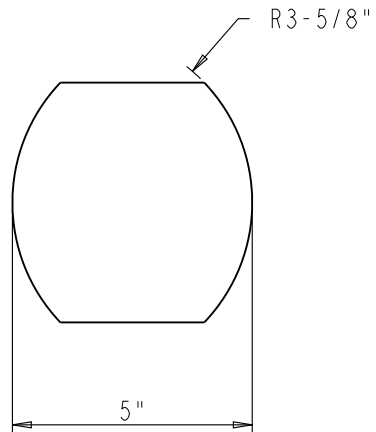
	ITEM: DOOR-SIDE		MATERIAL:	
	FINISH:		WEIGHT:	
PROPRIETARY AND CONFIDENTIAL THE INFORMATION CONTAINED IN THIS DRAWING IS THE SOLE PROPERTY OF HARDWARE RESOURCES INC. ANY REPRODUCTION IN PART OR AS A WHOLE WITHOUT THE WRITTEN PERMISSION OF HARDWARE RESOURCES INC. IS PROHIBITED.	UNIT:		DRAWN BY: <i>alan.liu</i>	
	SIZE:		CHECKED BY:	
	PAGE 14		APPROVED BY:	
DO NOT SCALE DRAWING		DATE:		9
		DATE:		
		DATE:		



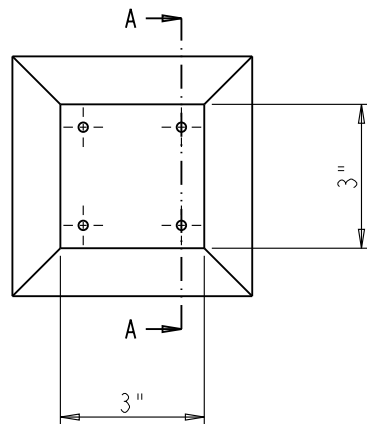
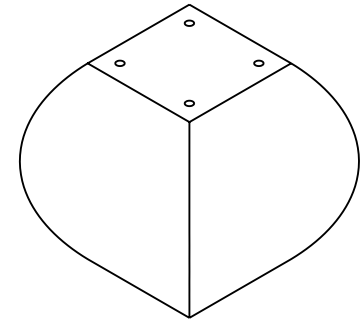
Specification:

1. Material: Birch

	ITEM: LEG-RIGHT-TOP		MATERIAL:	
	FINISH:		WEIGHT: 9	
PROPRIETARY AND CONFIDENTIAL THE INFORMATION CONTAINED IN THIS DRAWING IS THE SOLE PROPERTY OF HARDWARE RESOURCES INC. ANY REPRODUCTION IN PART OR AS A WHOLE WITHOUT THE WRITTEN PERMISSION OF HARDWARE RESOURCES INC. IS PROHIBITED.	DO NOT SCALE DRAWING	UNIT:	DRAWN BY: <i>alan.liu</i>	DATE:
		SIZE:	CHECKED BY:	DATE:
		PAGE 15	APPROVED BY:	DATE:
			PROJECTION:	



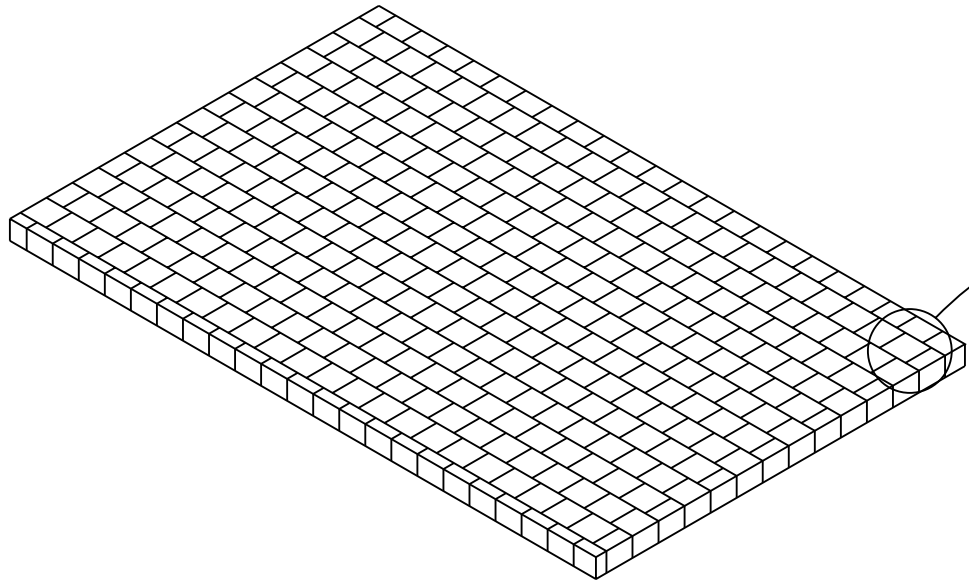
SECTION A-A



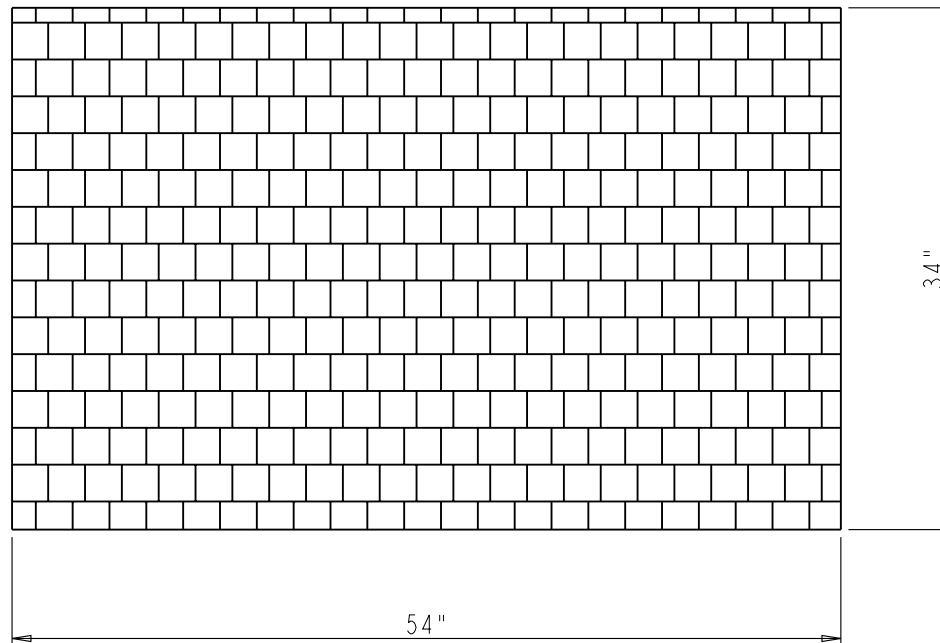
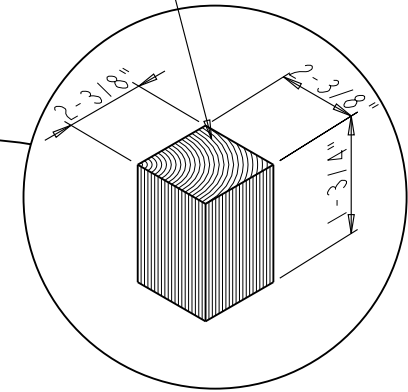
Specification:

1. Material: Birch

hardware resources	ITEM#: LEG-BTM		MATERIAL:	
	FINISH:		WEIGHT: 9	
PROPRIETARY AND CONFIDENTIAL THE INFORMATION CONTAINED IN THIS DRAWING IS THE SOLE PROPERTY OF HARDWARE RESOURCES INC. ANY REPRODUCTION IN PART OR AS A WHOLE WITHOUT THE WRITTEN PERMISSION OF HARDWARE RESOURCES INC. IS PROHIBITED	DO NOT SCALE DRAWING		PROJECTION:	
	UNIT:	DRAWN BY: <i>alan.liu</i>	DATE:	
	SIZE:	CHECKED BY:	DATE:	
PAGE 16		APPROVED BY:	DATE:	


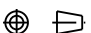


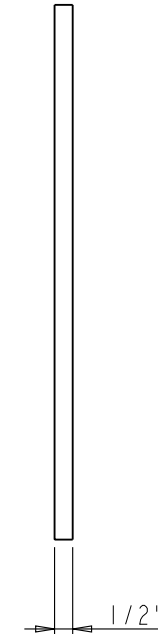
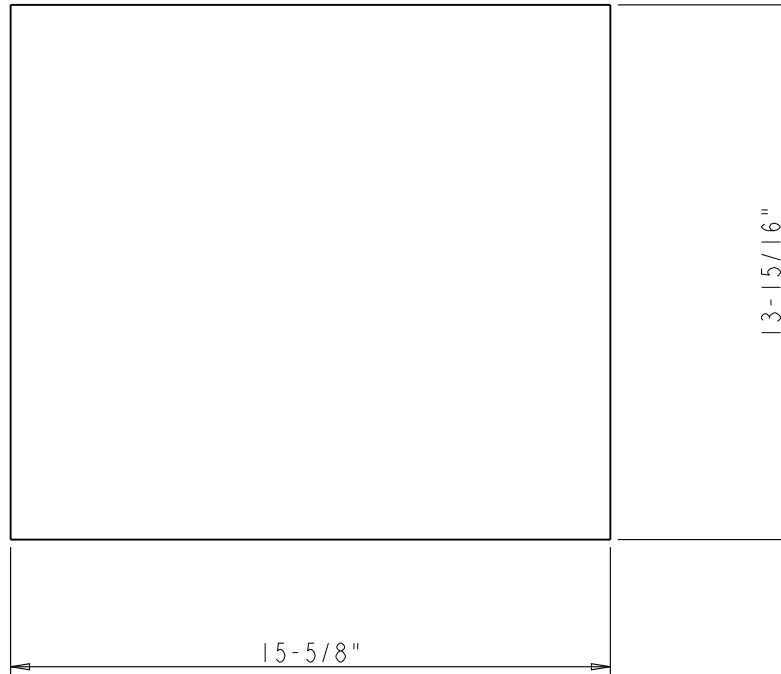
END GRAIN FACING UP


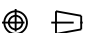


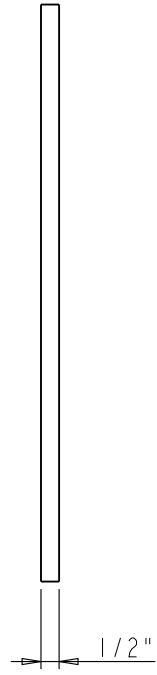
Specification:

1. Top: 1-3/4" Maple Butcher Block Treated With Mineral Oil

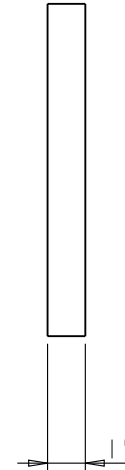
	ITEM: PIECE		MATERIAL:	
	FINISH:		WEIGHT: 9	
<p>PROPRIETARY AND CONFIDENTIAL</p> <p>THE INFORMATION CONTAINED IN THIS DRAWING IS THE SOLE PROPERTY OF HARDWARE RESOURCES INC. ANY REPRODUCTION IN PART OR AS A WHOLE WITHOUT THE WRITTEN PERMISSION OF HARDWARE RESOURCES INC. IS PROHIBITED</p>	PROJECTION: 		DATE:	
	DO NOT SCALE DRAWING	UNIT:	DRAWN BY: <i>alan.liu</i>	DATE:
		SIZE:	CHECKED BY:	DATE:
	PAGE 17	APPROVED BY:	DATE:	


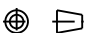


	ITEM#: SHELF-BOARD-FRONT-MID		MATERIAL:	
	FINISH:		WEIGHT: 9	
<p>PROPRIETARY AND CONFIDENTIAL</p> <p>THE INFORMATION CONTAINED IN THIS DRAWING IS THE SOLE PROPERTY OF HARDWARE RESOURCES INC. ANY REPRODUCTION IN PART OR AS A WHOLE WITHOUT THE WRITTEN PERMISSION OF HARDWARE RESOURCES INC. IS PROHIBITED</p>	DO NOT SCALE DRAWING	UNIT:	DRAWN BY: <i>alan.liu</i>	DATE:
		SIZE:	CHECKED BY:	DATE:
		PAGE 18	APPROVED BY:	DATE:
			PROJECTION: 	



	ITEM#: SHEFT-BOARD-FRONT-SIDE		MATERIAL:		
	FINISH:		WEIGHT: 9		
<p>PROPRIETARY AND CONFIDENTIAL</p> <p>THE INFORMATION CONTAINED IN THIS DRAWING IS THE SOLE PROPERTY OF HARDWARE RESOURCES INC. ANY REPRODUCTION IN PART OR AS A WHOLE WITHOUT THE WRITTEN PERMISSION OF HARDWARE RESOURCES INC. IS PROHIBITED</p>	PROJECTION:		DATE:		
	DO NOT SCALE DRAWING	UNIT:	DRAWN BY: <i>alan.liu</i>	DATE:	
		SIZE:	CHECKED BY:	DATE:	
PAGE 19		APPROVED BY:	DATE:		



	ITEM#: SHELF-BOARD-BACK		MATERIAL:		
	FINISH:		WEIGHT: 9		
<p>PROPRIETARY AND CONFIDENTIAL</p> <p>THE INFORMATION CONTAINED IN THIS DRAWING IS THE SOLE PROPERTY OF HARDWARE RESOURCES INC. ANY REPRODUCTION IN PART OR AS A WHOLE WITHOUT THE WRITTEN PERMISSION OF HARDWARE RESOURCES INC. IS PROHIBITED</p>	PROJECTION: 		DATE:		
	DO NOT SCALE DRAWING	UNIT:	DRAWN BY: <i>alan.liu</i>	DATE:	
		SIZE:	CHECKED BY:	DATE:	
PAGE 20		APPROVED BY:	DATE:		