
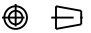
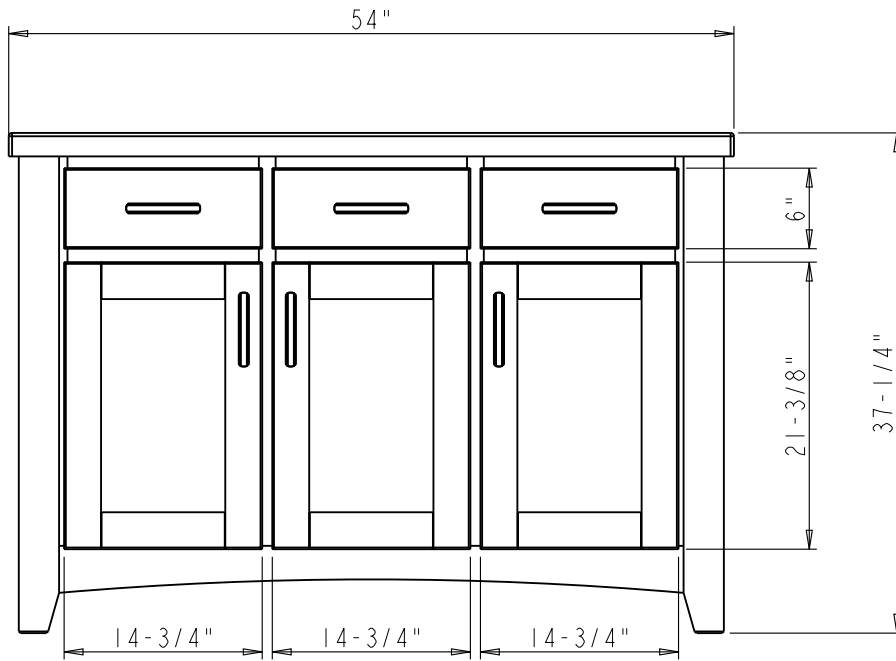


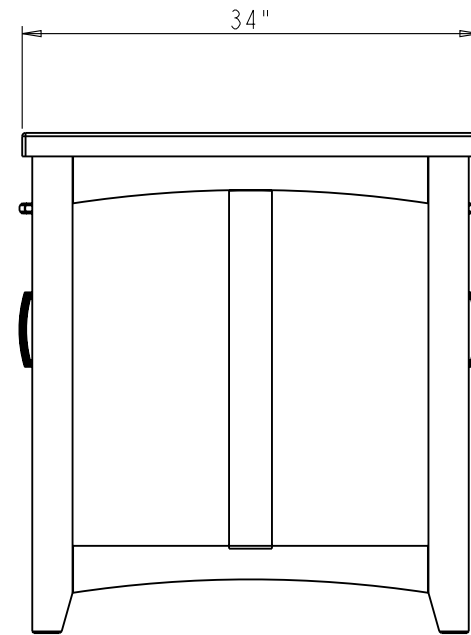
Specification:

1. Material: MDF and Birch
2. Finish: BLK
3. Hardware: 519-128SN (11 PCS)
4. Slides: USE12 (3 SETS)
USE15 (3 SETS)
5. Hinge: 500.0535.05 with 400.0118.05 plate
6. Shelf Supports: 1706 (8 PCS)
7. Drawer Boxes: 5/8" Rubber wood
Clear color
Dovetail
8. Create an alternate DOOR ONLY
using an MDF panel
9. The tolerance is +/- 1/8"

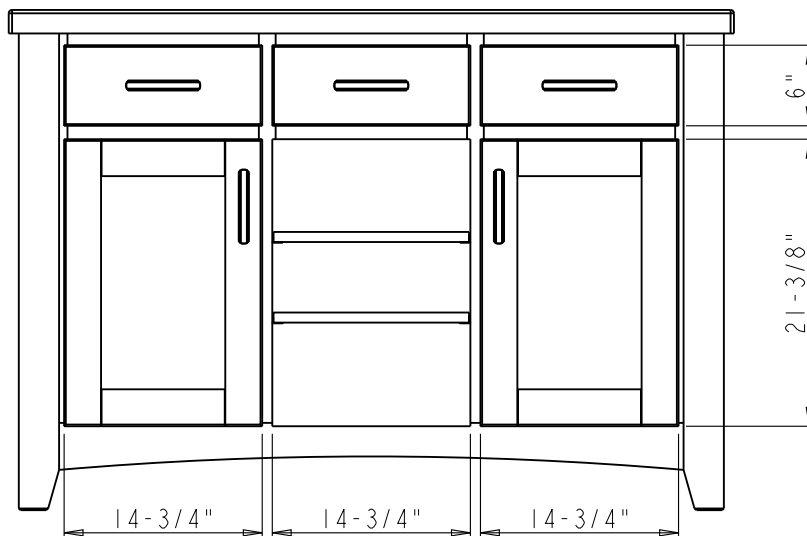
	ITEM#: 1SL07		MATERIAL:	
	FINISH:		WEIGHT: 9	
PROPRIETARY AND CONFIDENTIAL THE INFORMATION CONTAINED IN THIS DRAWING IS THE SOLE PROPERTY OF HARDWARE RESOURCES INC. ANY REPRODUCTION IN PART OR AS A WHOLE WITHOUT THE WRITTEN PERMISSION OF HARDWARE RESOURCES INC. IS PROHIBITED.	DO NOT SCALE DRAWING		PROJECTION: 	
	UNIT:	DRAWN BY: <i>alan.liu</i>	DATE:	
	SIZE:	CHECKED BY:	DATE:	
	PAGE 01	APPROVED BY:	DATE:	



FRONT VIEW

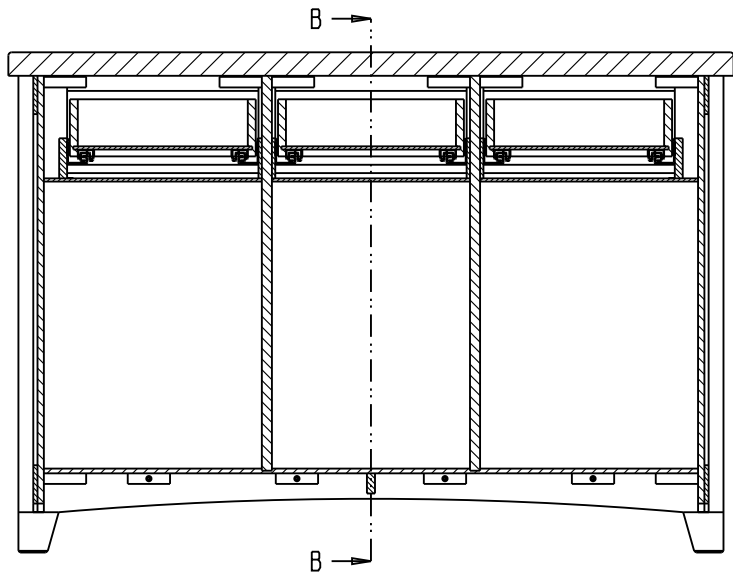


SIDE VIEW

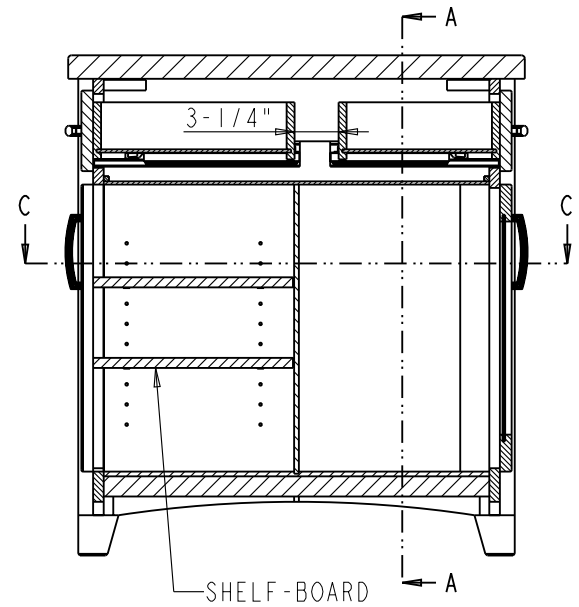


REAR VIEW

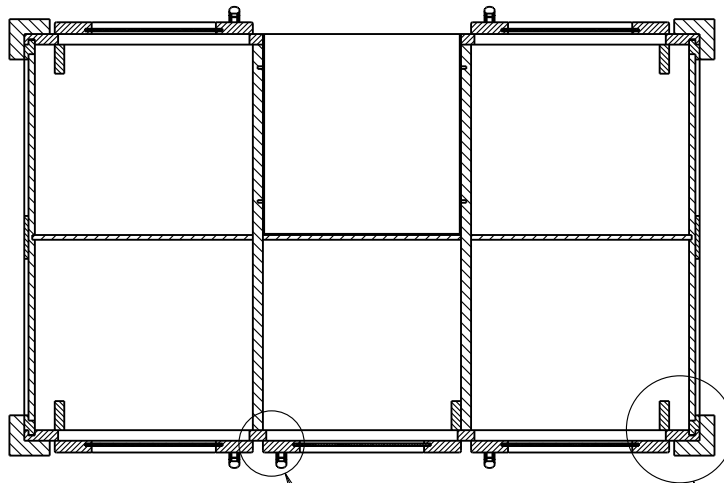
	ITEM#: 1SL07		MATERIAL:	
	FINISH:		WEIGHT: 9	
PROPRIETARY AND CONFIDENTIAL THE INFORMATION CONTAINED IN THIS DRAWING IS THE SOLE PROPERTY OF HARDWARE RESOURCES INC. ANY REPRODUCTION IN PART OR AS A WHOLE WITHOUT THE WRITTEN PERMISSION OF HARDWARE RESOURCES INC. IS PROHIBITED.	DO NOT SCALE DRAWING		PROJECTION:	
	UNIT:	DRAWN BY: <i>alan.liu</i>	DATE:	
	SIZE:	CHECKED BY:	DATE:	
	PAGE 02	APPROVED BY:	DATE:	



SECTION A-A
SCALE 7:100



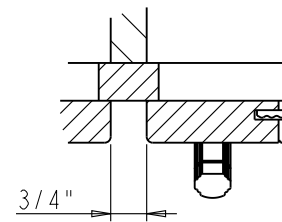
SECTION B-B



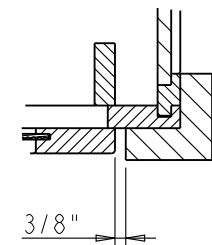
SECTION C-C

SEE DETAIL A

SEE DETAIL B

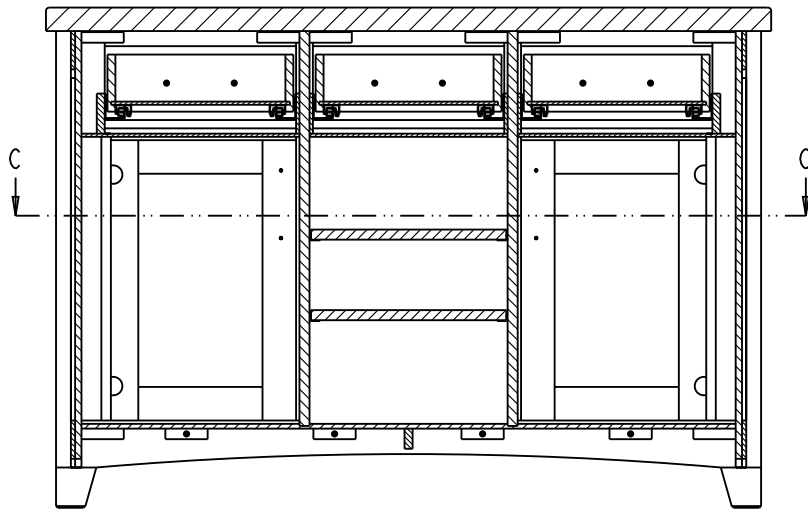


DETAIL A
SCALE 1:4

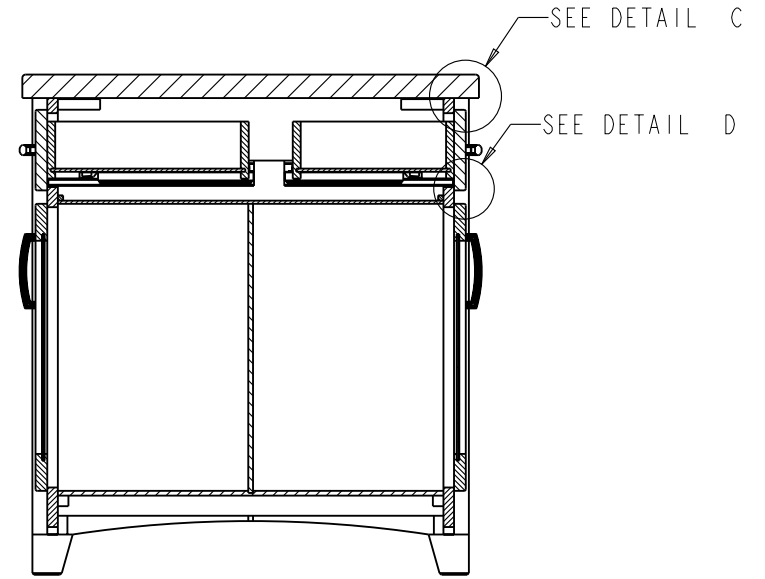


DETAIL B
SCALE 3:20

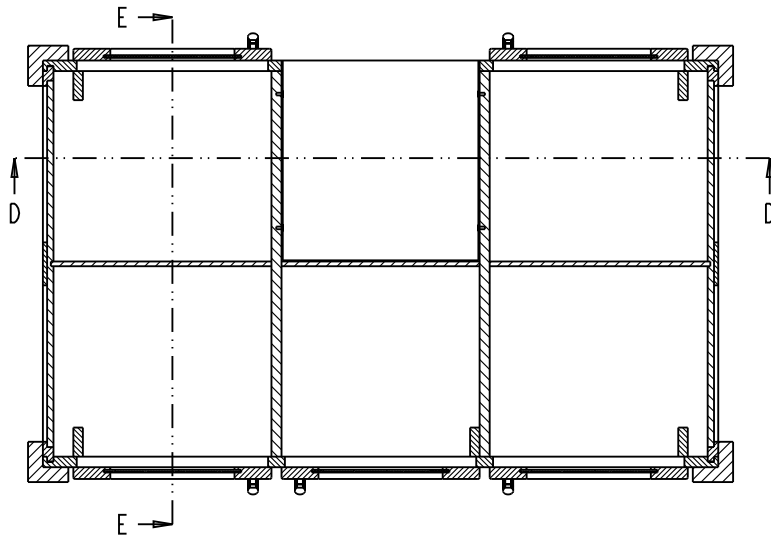
	ITEM:	1 SL07		MATERIAL:
	FINISH:			WEIGHT: 9
<p>PROPRIETARY AND CONFIDENTIAL</p> <p>THE INFORMATION CONTAINED IN THIS DRAWING IS THE SOLE PROPERTY OF HARDWARE RESOURCES INC. ANY REPRODUCTION IN PART OR AS A WHOLE WITHOUT THE WRITTEN PERMISSION OF HARDWARE RESOURCES INC. IS PROHIBITED.</p>	DO NOT SCALE DRAWING	UNIT:	DRAWN BY:	DATE:
		SIZE:	CHECKED BY:	DATE:
		PAGE 03	APPROVED BY:	DATE:



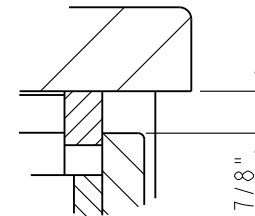
SECTION D-D
SCALE 7:100



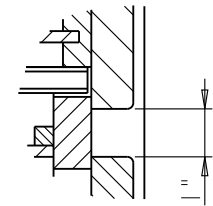
SECTION E-E



SECTION C-C

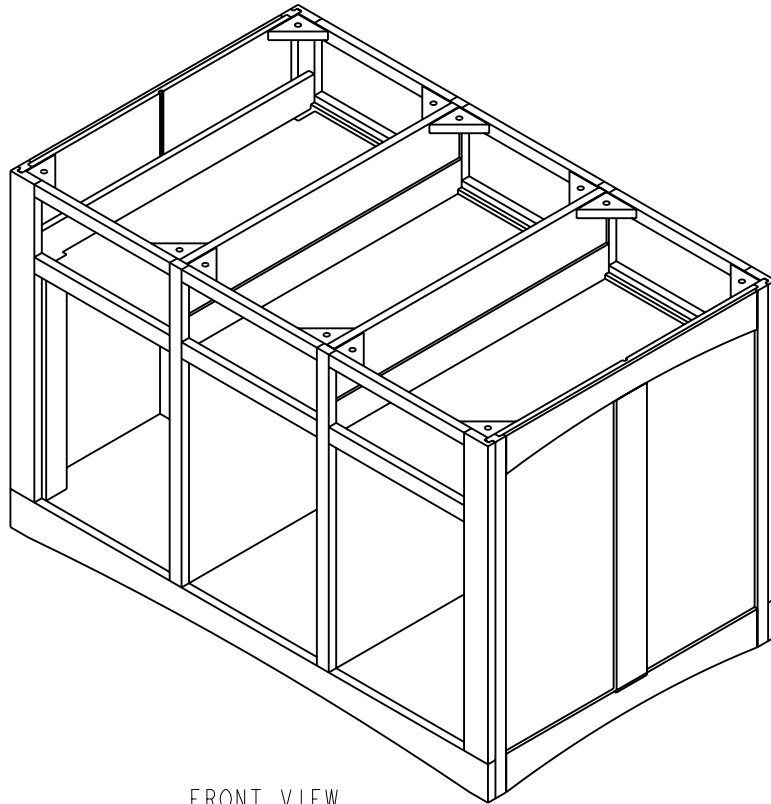


DETAIL C
SCALE 1:4

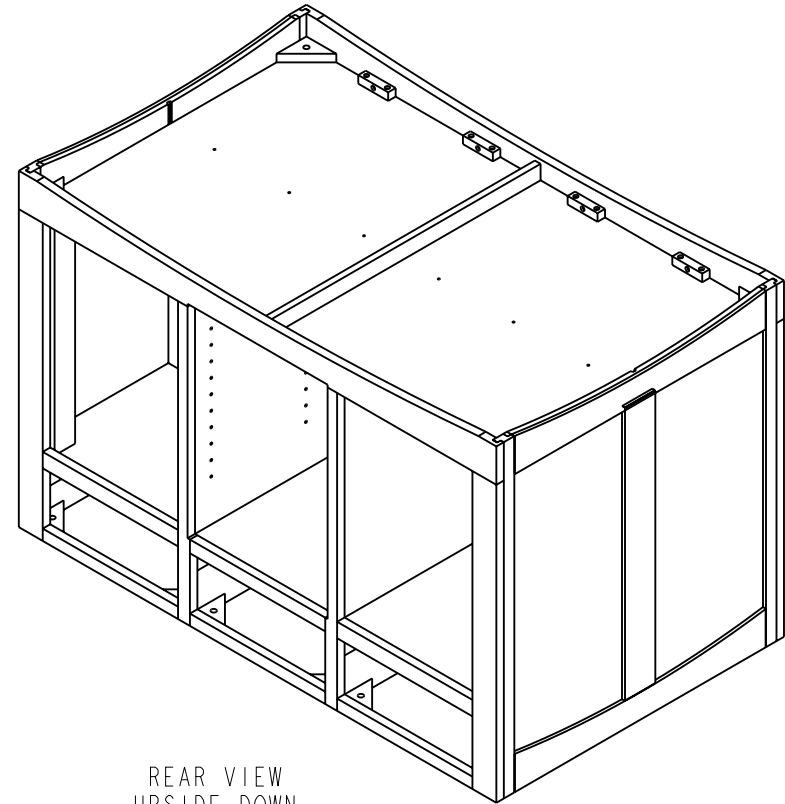


DETAIL D
SCALE 1:4

	ITEM: 1SL07		MATERIAL:	
	FINISH:		WEIGHT: 9	
<p>PROPRIETARY AND CONFIDENTIAL</p> <p>THE INFORMATION CONTAINED IN THIS DRAWING IS THE SOLE PROPERTY OF HARDWARE RESOURCES INC. ANY REPRODUCTION IN PART OR AS A WHOLE WITHOUT THE WRITTEN PERMISSION OF HARDWARE RESOURCES INC. IS PROHIBITED.</p>	<p>DO NOT SCALE DRAWING</p>	UNIT:	DRAWN BY: <i>alan.liu</i>	DATE:
		SIZE:	CHECKED BY:	DATE:
		PAGE 04	APPROVED BY:	DATE:
			PROJECTION:	




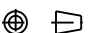
FRONT VIEW

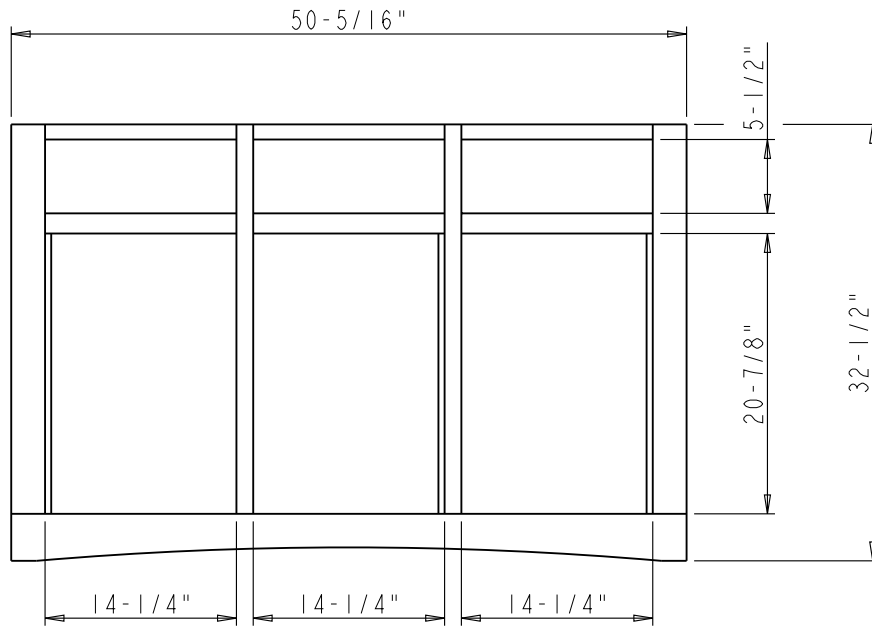


REAR VIEW
UPSIDE DOWN

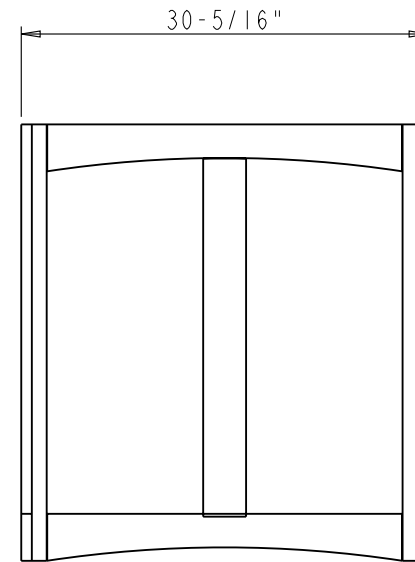
Specification:

1. Material: MDF and Birch
2. Finish: BLK

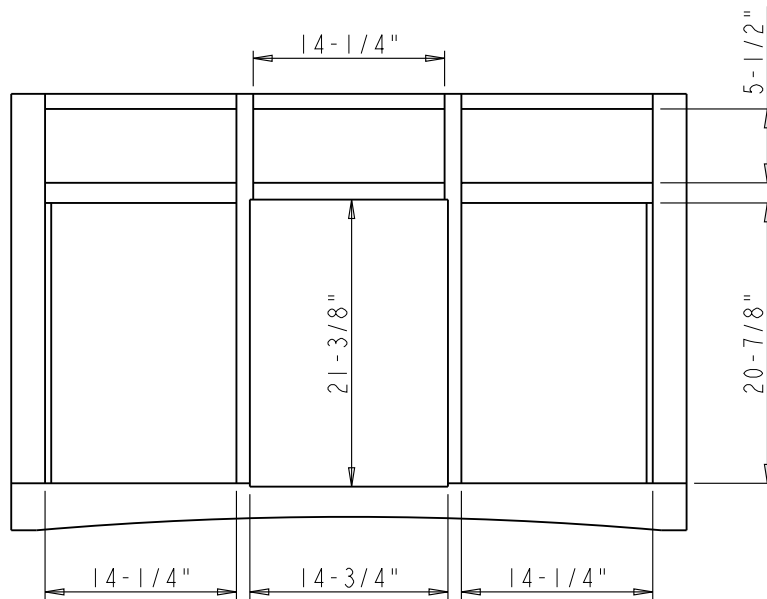
	ITEM#: CABINET		MATERIAL:	
	FINISH:		WEIGHT: 9	
<p>PROPRIETARY AND CONFIDENTIAL</p> <p>THE INFORMATION CONTAINED IN THIS DRAWING IS THE SOLE PROPERTY OF HARDWARE RESOURCES INC. ANY REPRODUCTION IN PART OR AS A WHOLE WITHOUT THE WRITTEN PERMISSION OF HARDWARE RESOURCES INC. IS PROHIBITED</p>	DO NOT SCALE DRAWING		PROJECTION: 	
	UNIT:	DRAWN BY: <i>alan.liu</i>	DATE:	
	SIZE:	CHECKED BY:	DATE:	
PAGE 05		APPROVED BY:	DATE:	



FRONT VIEW

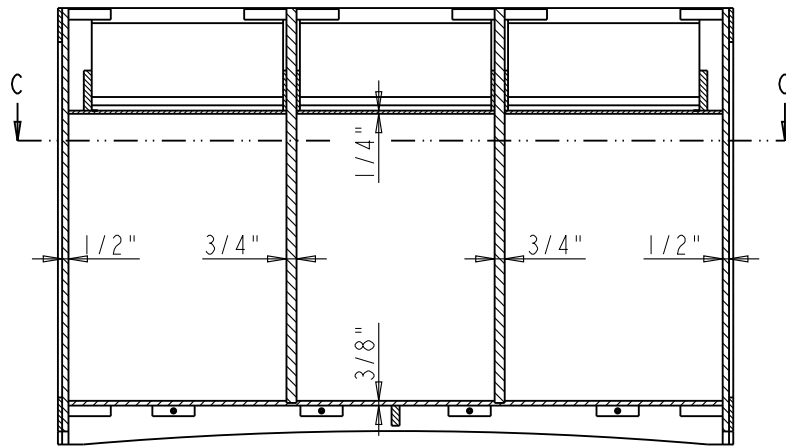


SIDE VIEW

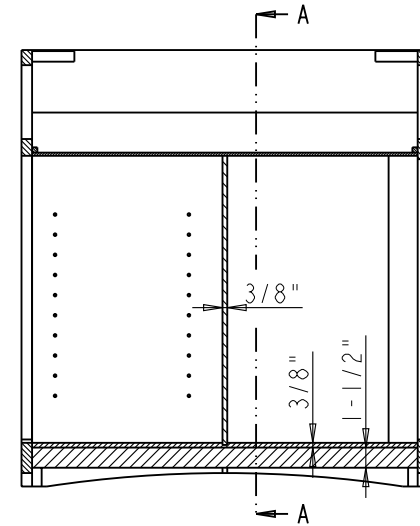


REAR VIEW

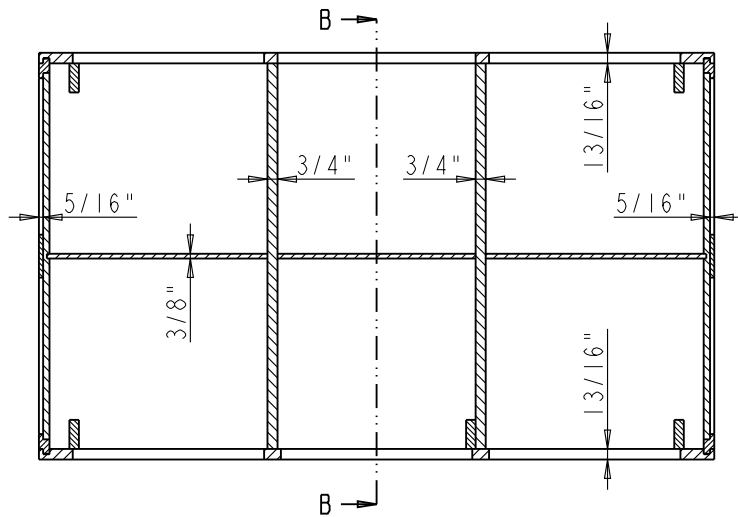
	ITEM: CABINET		MATERIAL:	
	FINISH:		WEIGHT: 9	
PROPRIETARY AND CONFIDENTIAL THE INFORMATION CONTAINED IN THIS DRAWING IS THE SOLE PROPERTY OF HARDWARE RESOURCES INC. ANY REPRODUCTION IN PART OR AS A WHOLE WITHOUT THE WRITTEN PERMISSION OF HARDWARE RESOURCES INC. IS PROHIBITED.	DO NOT SCALE DRAWING		DRAWN BY: <i>alan liu</i>	DATE:
	UNIT:	CHECKED BY:	DATE:	
	SIZE:	APPROVED BY:	DATE:	
PAGE 06				



SECTION A-A
SCALE 7:100

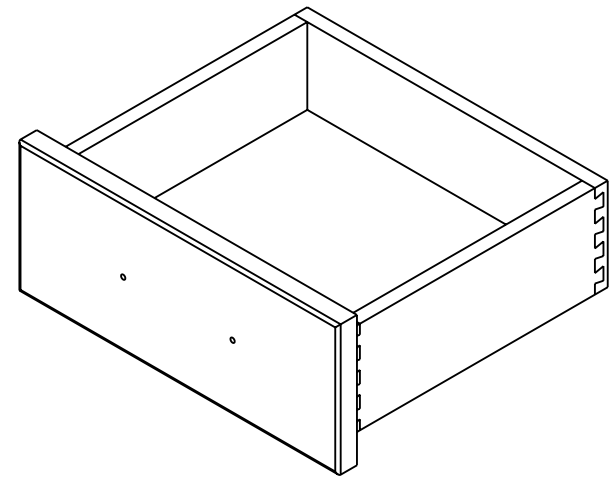
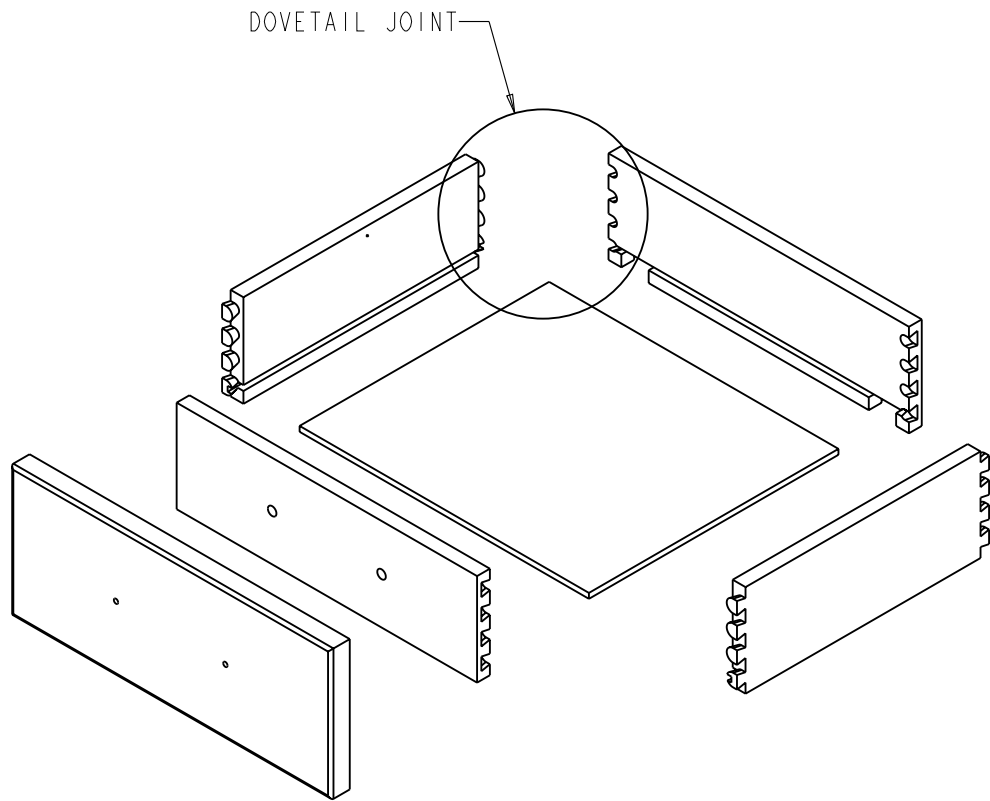


SECTION B-B




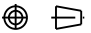
SECTION C-C

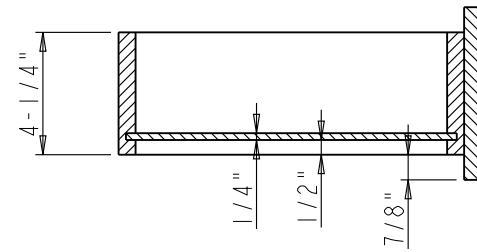
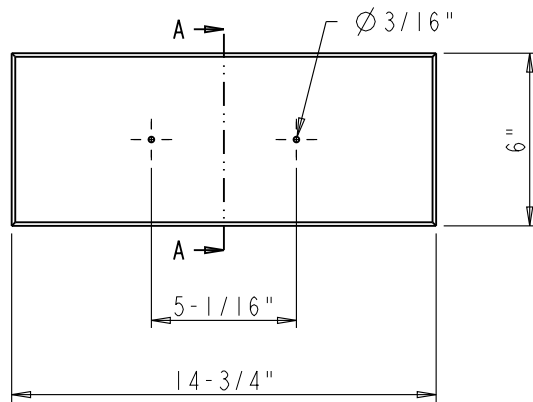
	ITEM:	CABINET		MATERIAL:
	FINISH:			WEIGHT: 9
PROPRIETARY AND CONFIDENTIAL THE INFORMATION CONTAINED IN THIS DRAWING IS THE SOLE PROPERTY OF HARDWARE RESOURCES INC. ANY REPRODUCTION IN PART OR AS A WHOLE WITHOUT THE WRITTEN PERMISSION OF HARDWARE RESOURCES INC. IS PROHIBITED.	DO NOT SCALE DRAWING	UNIT:	DRAWN BY:	DATE:
		SIZE:	<i>alan. liu</i> CHECKED BY:	DATE:
		PAGE 07	APPROVED BY:	DATE:
			PROJECTION:	



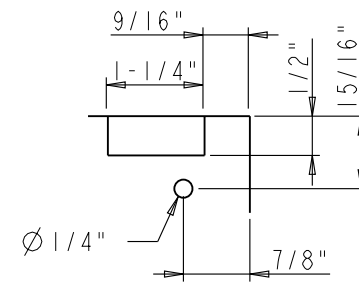
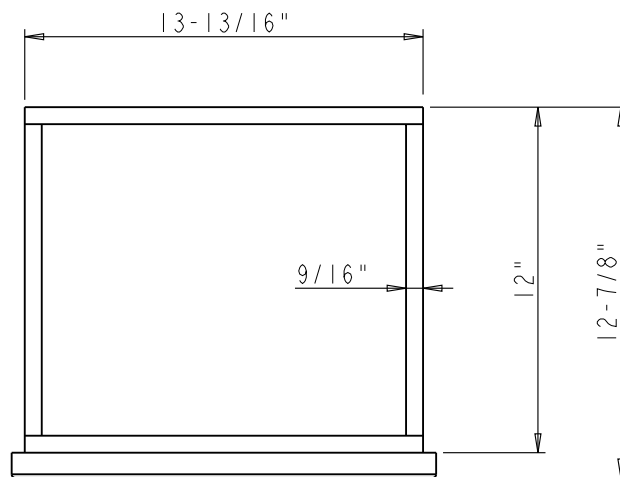
Specification:

- 1. Drawer Boxes: 5/8" Rubber wood
- Clear color
- Dovetail

	ITEM#: DRAWER-FRONT		MATERIAL:	
	FINISH:		WEIGHT: 9	
PROPRIETARY AND CONFIDENTIAL THE INFORMATION CONTAINED IN THIS DRAWING IS THE SOLE PROPERTY OF HARDWARE RESOURCES INC. ANY REPRODUCTION IN PART OR AS A WHOLE WITHOUT THE WRITTEN PERMISSION OF HARDWARE RESOURCES INC. IS PROHIBITED.	DO NOT SCALE DRAWING		PROJECTION: 	
	UNIT:	DRAWN BY: <i>alan.liu</i>	DATE:	
	SIZE:	CHECKED BY:	DATE:	
	PAGE 08	APPROVED BY:	DATE:	

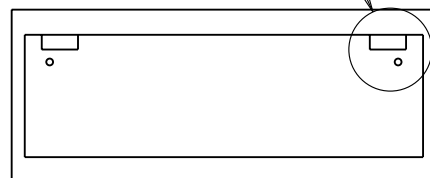


SECTION A-A

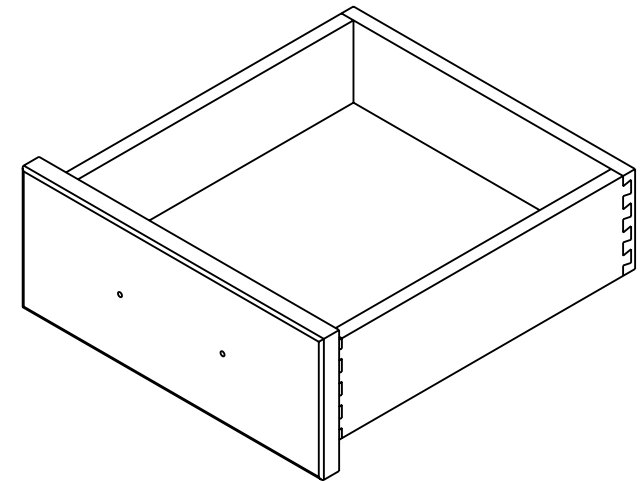
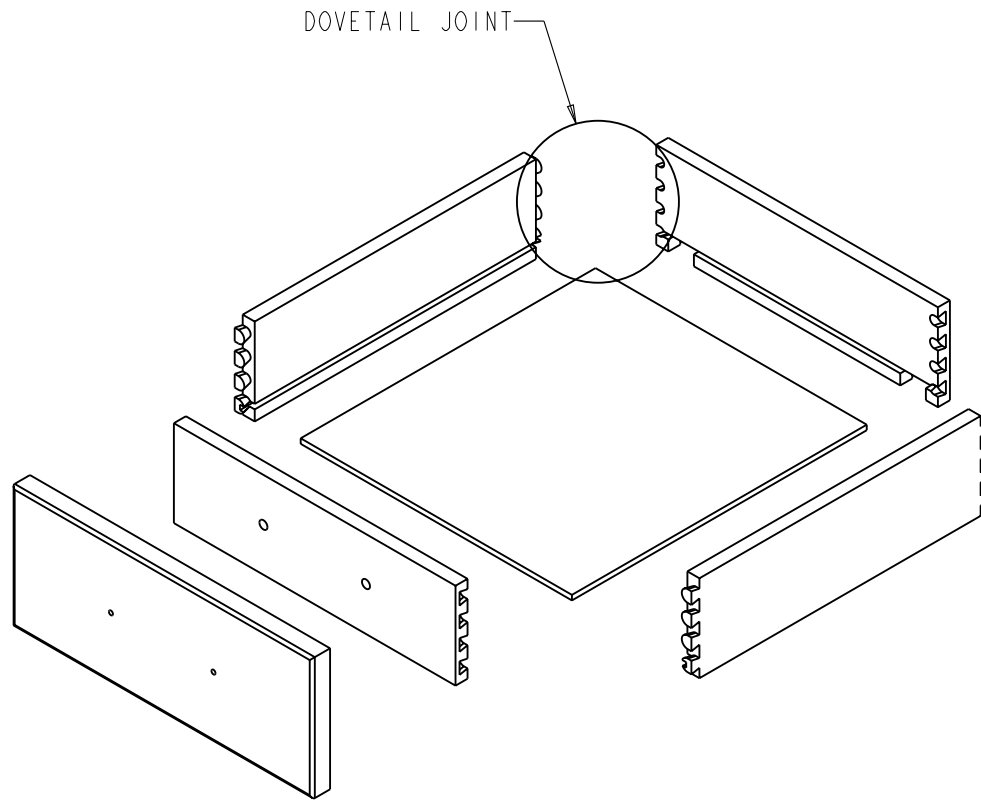


DETAIL A
SCALE 2:5

SEE DETAIL A


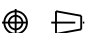


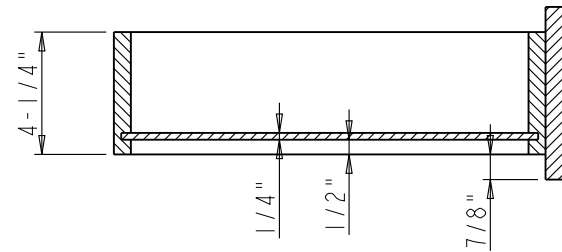
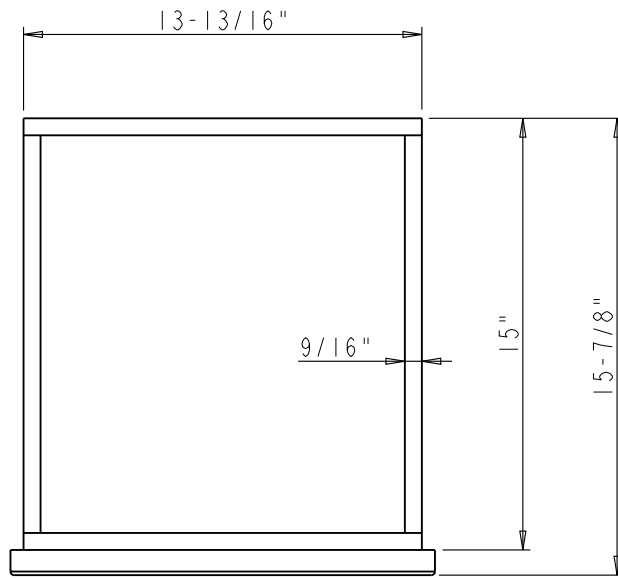
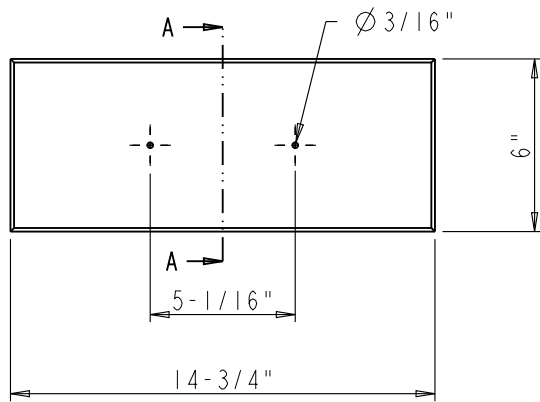
	ITEM: DRAWER - FRONT		MATERIAL:	
	FINISH:		WEIGHT: 9	
PROPRIETARY AND CONFIDENTIAL THE INFORMATION CONTAINED IN THIS DRAWING IS THE SOLE PROPERTY OF HARDWARE RESOURCES INC. ANY REPRODUCTION IN PART OR AS A WHOLE WITHOUT THE WRITTEN PERMISSION OF HARDWARE RESOURCES INC. IS PROHIBITED.	PROJECTION:		DATE:	
	UNIT:	DRAWN BY: <i>alan.liu</i>	DATE:	
	DO NOT SCALE DRAWING	CHECKED BY:	DATE:	
PAGE 09	APPROVED BY:	DATE:		



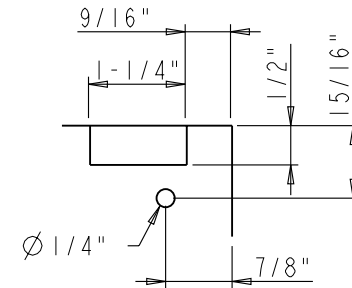
Specification:

- Drawer Boxes: 5/8" Rubber wood
Clear color
Dovetail

	ITEM#: DRAWER-BACK		MATERIAL:		
	FINISH:		WEIGHT: 9		
<p>PROPRIETARY AND CONFIDENTIAL</p> <p>THE INFORMATION CONTAINED IN THIS DRAWING IS THE SOLE PROPERTY OF HARDWARE RESOURCES INC. ANY REPRODUCTION IN PART OR AS A WHOLE WITHOUT THE WRITTEN PERMISSION OF HARDWARE RESOURCES INC. IS PROHIBITED</p>	PROJECTION: 		DATE:		
	DO NOT SCALE DRAWING	UNIT:	DRAWN BY: <i>alan.liu</i>	DATE:	
		SIZE:	CHECKED BY:	DATE:	
		PAGE 10	APPROVED BY:	DATE:	

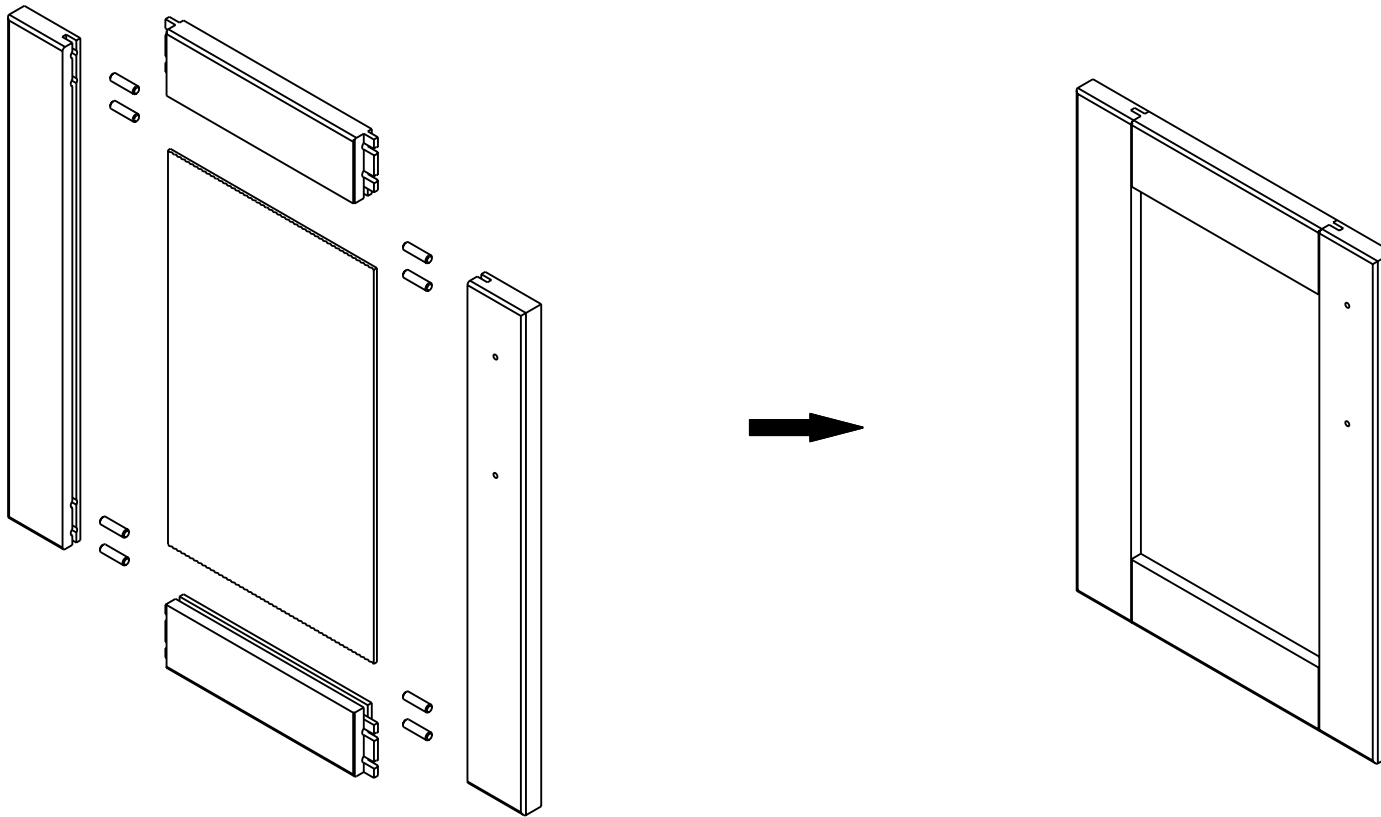


SECTION A-A




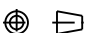
DETAIL A
SCALE 2:5

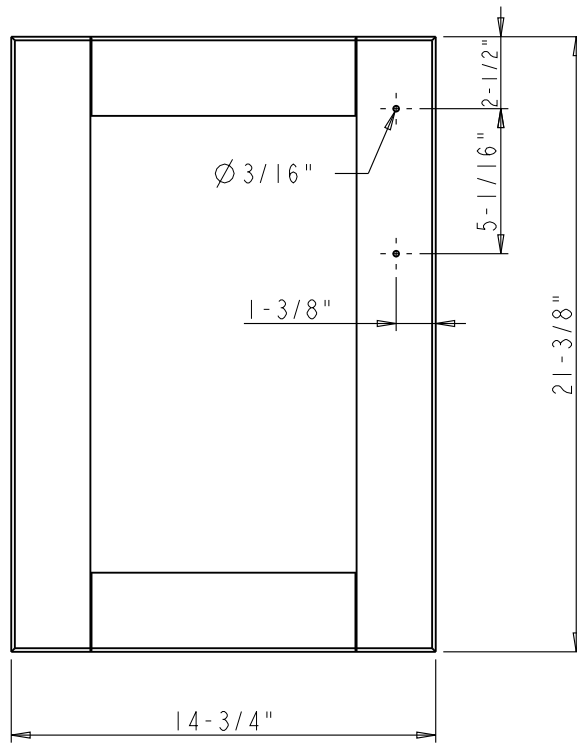
	ITEM: DRAWER-BACK		MATERIAL:	
	FINISH:		WEIGHT: 9	
PROPRIETARY AND CONFIDENTIAL THE INFORMATION CONTAINED IN THIS DRAWING IS THE SOLE PROPERTY OF HARDWARE RESOURCES INC. ANY REPRODUCTION IN PART OR AS A WHOLE WITHOUT THE WRITTEN PERMISSION OF HARDWARE RESOURCES INC. IS PROHIBITED.	DO NOT SCALE DRAWING	UNIT:	DRAWN BY: <i>alan liu</i>	DATE:
		SIZE:	CHECKED BY:	DATE:
		PAGE 11	APPROVED BY:	DATE:
			PROJECTION:	



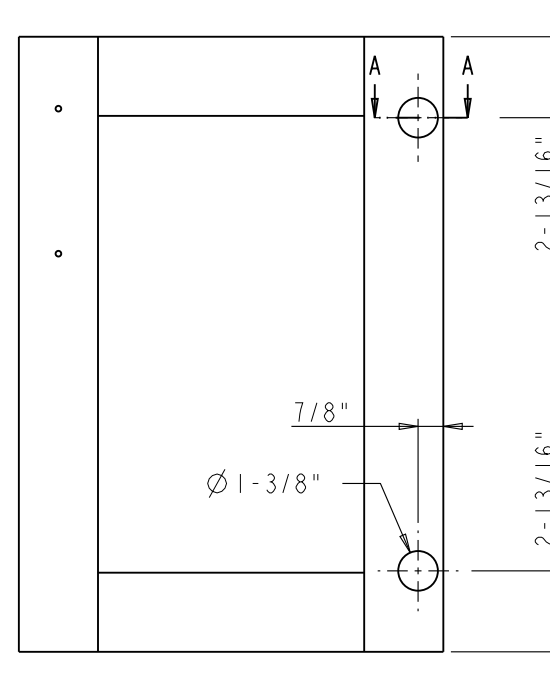
Specification:

1. Material: MDF and Birch
2. Finish: BLK

	ITEM#: DOOR-LEFT		MATERIAL:	
	FINISH:		WEIGHT: 9	
PROPRIETARY AND CONFIDENTIAL THE INFORMATION CONTAINED IN THIS DRAWING IS THE SOLE PROPERTY OF HARDWARE RESOURCES INC. ANY REPRODUCTION IN PART OR AS A WHOLE WITHOUT THE WRITTEN PERMISSION OF HARDWARE RESOURCES INC. IS PROHIBITED	DO NOT SCALE DRAWING		PROJECTION: 	
	UNIT:	DRAWN BY: <i>alan.liu</i>	DATE:	
	SIZE:	CHECKED BY:	DATE:	
	PAGE 12	APPROVED BY:	DATE:	



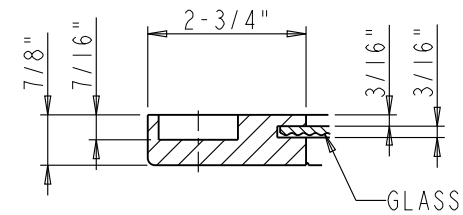
FRONT VIEW



REAR VIEW

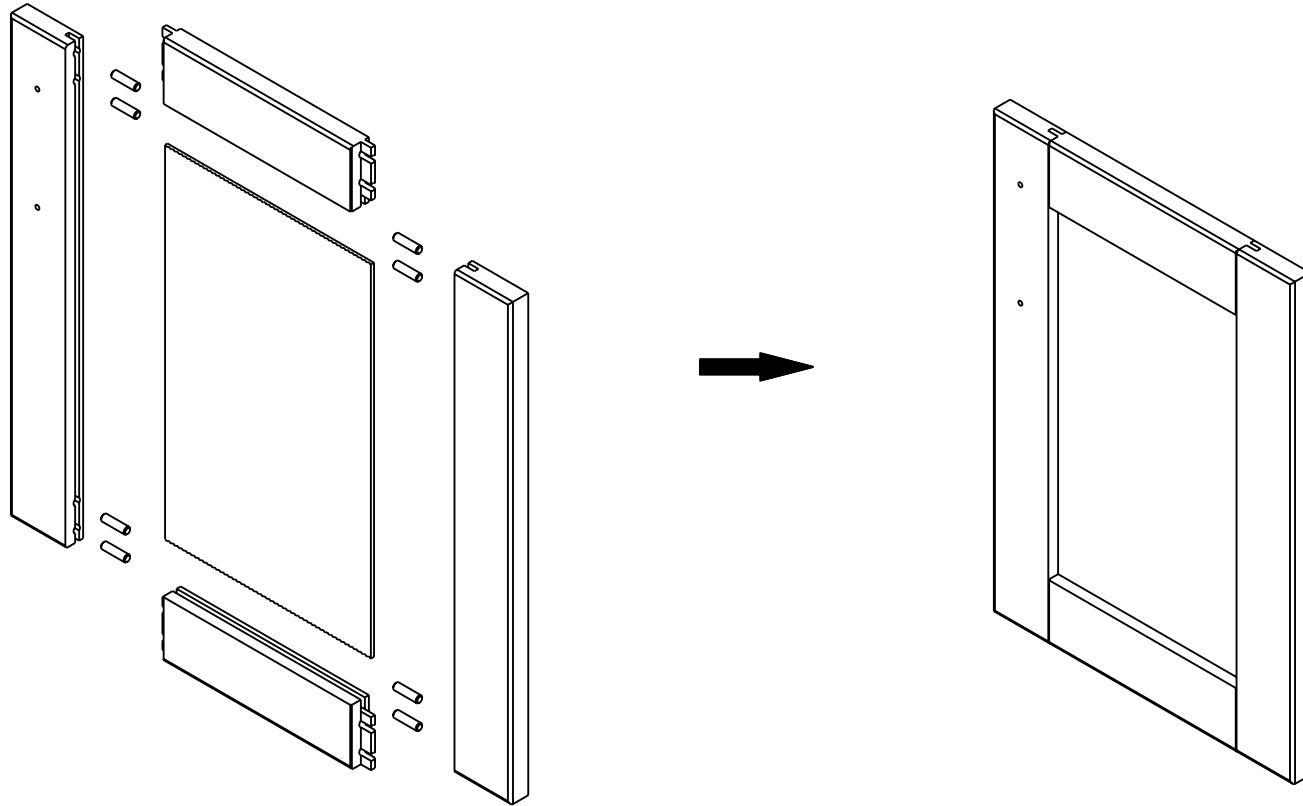


SECTION A-A




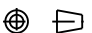
DETAIL A
SCALE 3:10

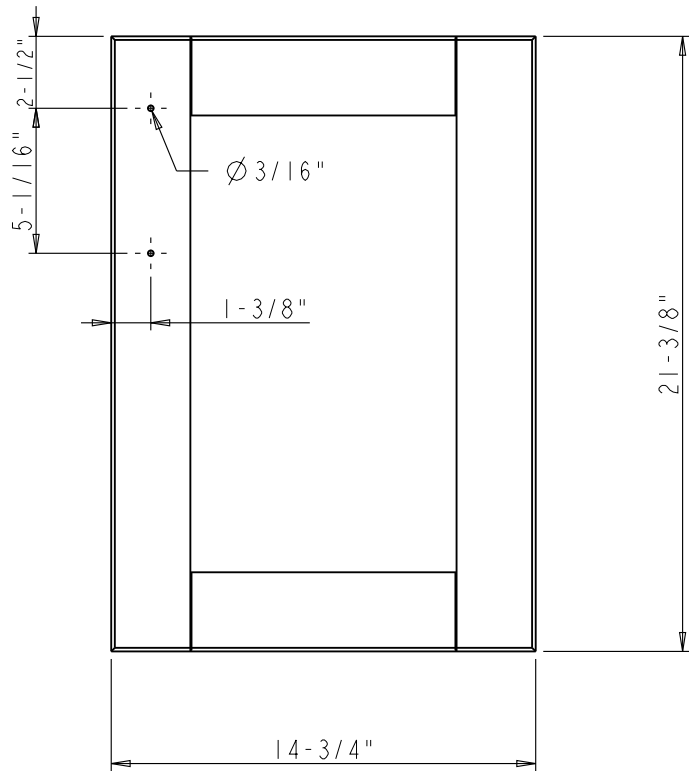
	ITEM: DOOR-LEFT		MATERIAL:	
	FINISH:		WEIGHT: 9	
PROPRIETARY AND CONFIDENTIAL THE INFORMATION CONTAINED IN THIS DRAWING IS THE SOLE PROPERTY OF HARDWARE RESOURCES INC. ANY REPRODUCTION IN PART OR AS A WHOLE WITHOUT THE WRITTEN PERMISSION OF HARDWARE RESOURCES INC. IS PROHIBITED.	DO NOT SCALE DRAWING	UNIT:	DRAWN BY: <i>alan.liu</i>	DATE:
		SIZE:	CHECKED BY:	DATE:
		PAGE 13	APPROVED BY:	DATE:
			PROJECTION:	



Specification:

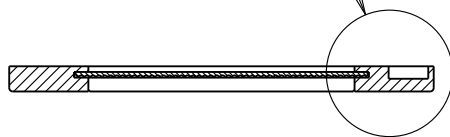
1. Material: MDF and Birch
2. Finish: BLK

	ITEM#: DOOR - RIGHT		MATERIAL:		
	FINISH:		WEIGHT: 9		
PROPRIETARY AND CONFIDENTIAL THE INFORMATION CONTAINED IN THIS DRAWING IS THE SOLE PROPERTY OF HARDWARE RESOURCES INC. ANY REPRODUCTION IN PART OR AS A WHOLE WITHOUT THE WRITTEN PERMISSION OF HARDWARE RESOURCES INC. IS PROHIBITED	DO NOT SCALE DRAWING		UNIT:	DRAWN BY: <i>alan.liu</i>	DATE:
			SIZE:	CHECKED BY:	DATE:
			APPROVED BY:		DATE:
PAGE 14		PROJECTION: 			

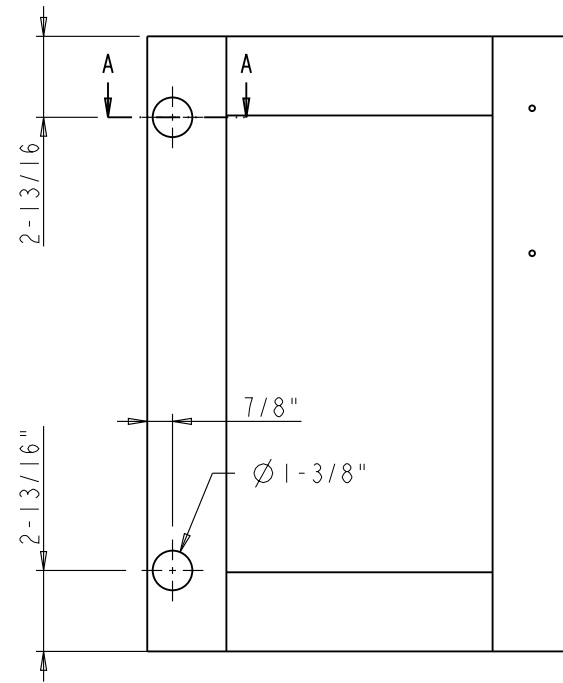


FRONT VIEW

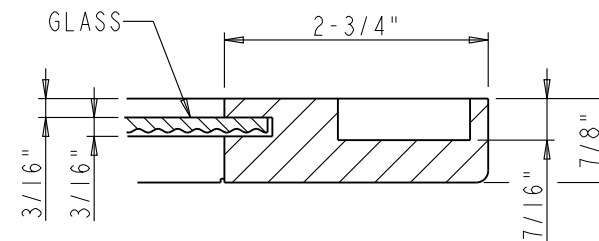
SEE DETAIL A



SECTION A-A

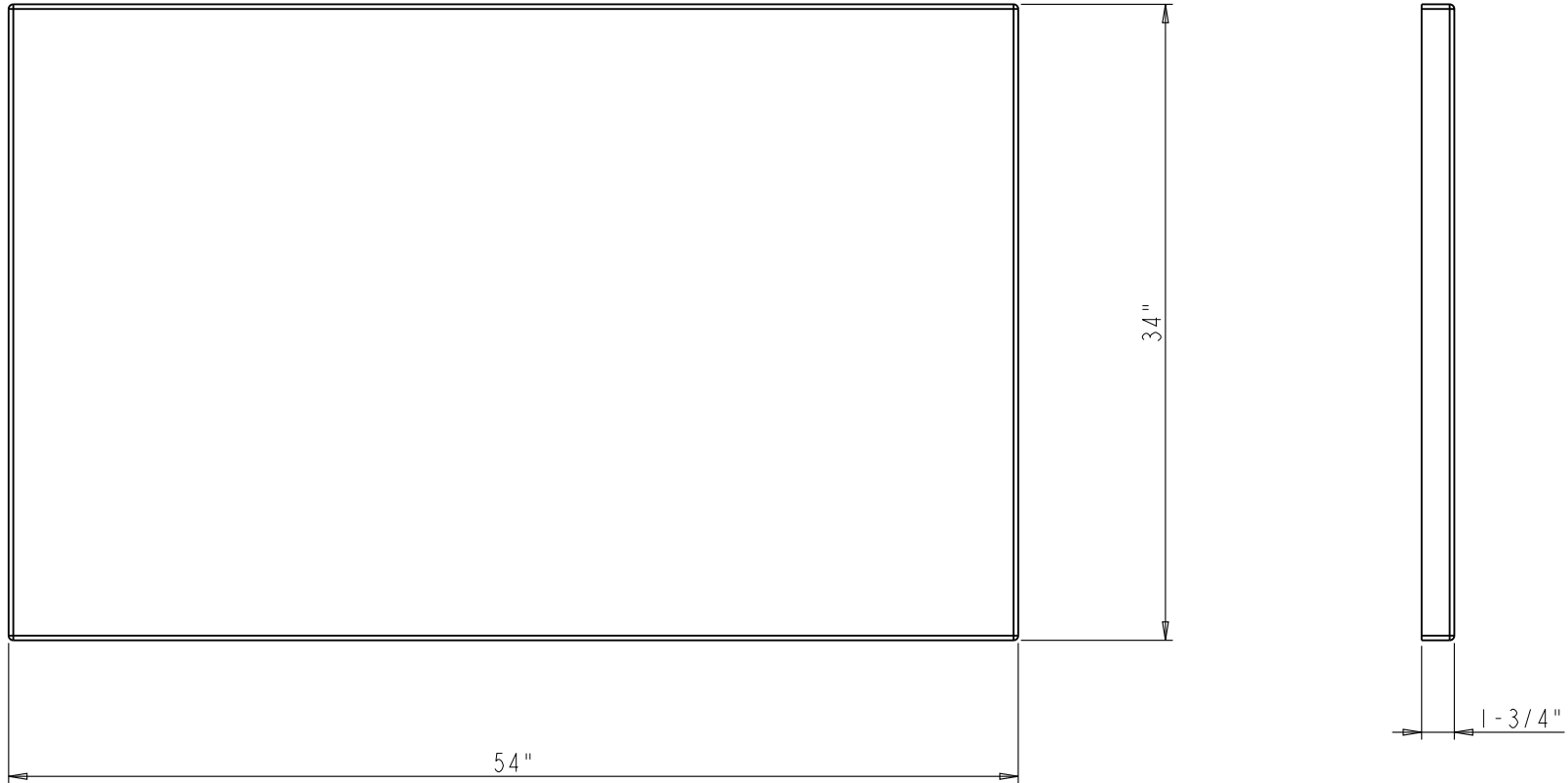



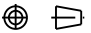
REAR VIEW

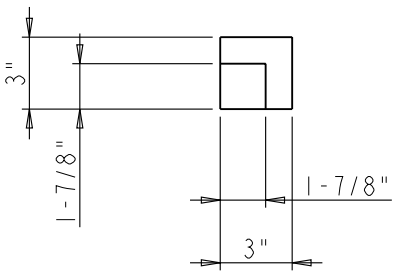
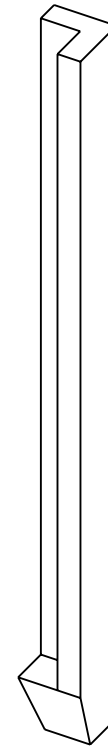
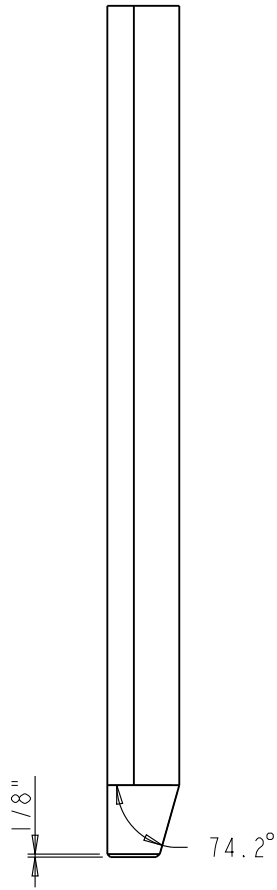
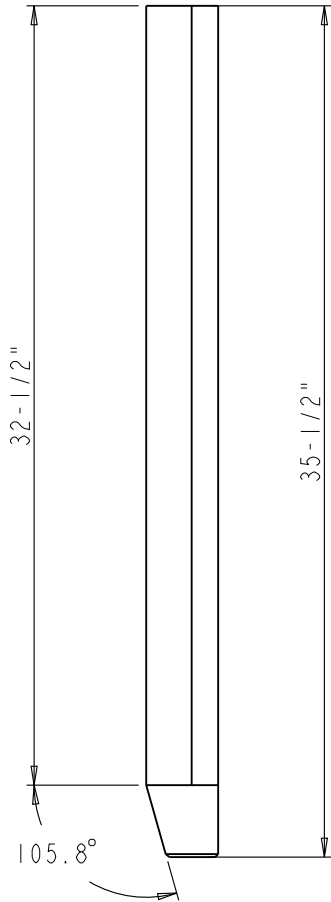


DETAIL A
SCALE 1:2

	ITEM: DOOR - RIGHT		MATERIAL:	
	FINISH:		WEIGHT: 9	
PROPRIETARY AND CONFIDENTIAL THE INFORMATION CONTAINED IN THIS DRAWING IS THE SOLE PROPERTY OF HARDWARE RESOURCES INC. ANY REPRODUCTION IN PART OR AS A WHOLE WITHOUT THE WRITTEN PERMISSION OF HARDWARE RESOURCES INC. IS PROHIBITED.	DO NOT SCALE DRAWING	UNIT:	DRAWN BY: <i>alan.liu</i>	DATE:
		SIZE:	CHECKED BY:	DATE:
		PAGE 15	APPROVED BY:	DATE:
PROJECTION:				

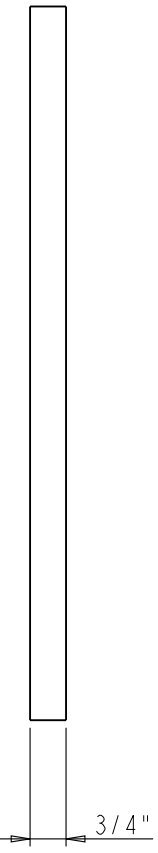
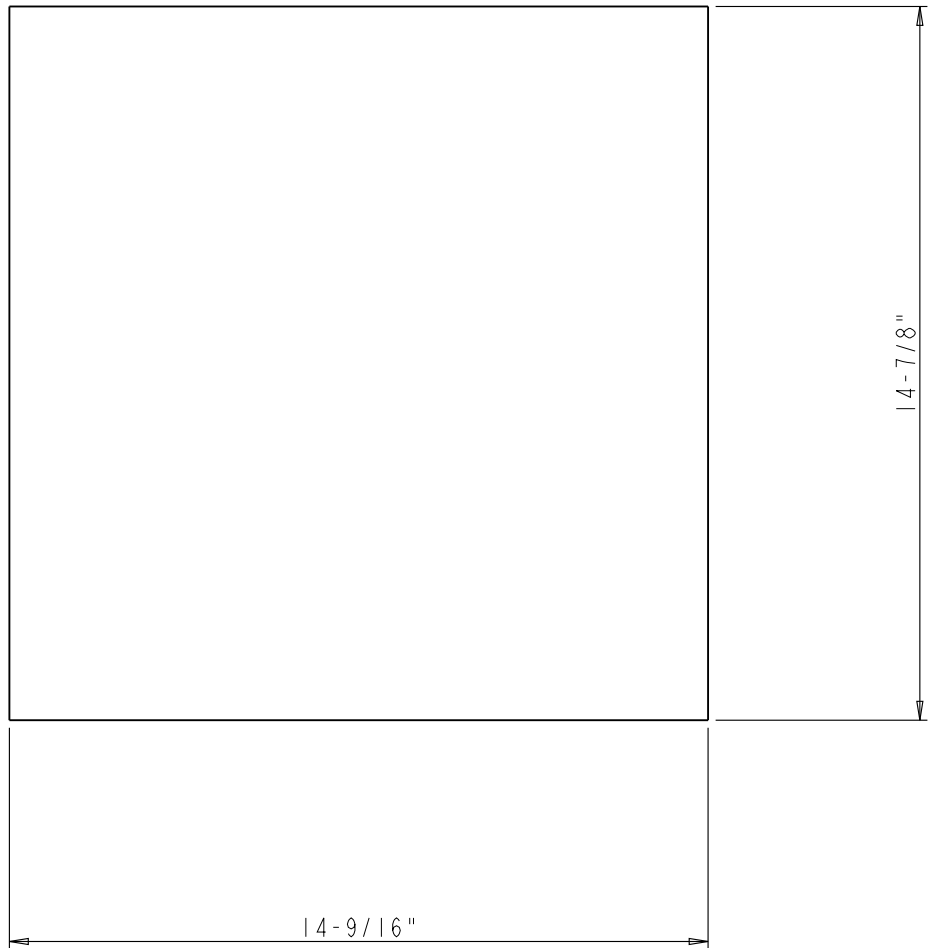


	ITEM: TOP-BOARD		MATERIAL:	
	FINISH:		WEIGHT: 9	
<p>PROPRIETARY AND CONFIDENTIAL</p> <p>THE INFORMATION CONTAINED IN THIS DRAWING IS THE SOLE PROPERTY OF HARDWARE RESOURCES INC. ANY REPRODUCTION IN PART OR AS A WHOLE WITHOUT THE WRITTEN PERMISSION OF HARDWARE RESOURCES INC. IS PROHIBITED</p>	DO NOT SCALE DRAWING	UNIT:	DRAWN BY: <i>alan.liu</i>	DATE:
		SIZE:	CHECKED BY:	DATE:
		PAGE 16	APPROVED BY:	DATE:
			PROJECTION: 	



Specification:
 1. Material: Birch
 2. Finish: BLK

	ITEM#: LEG		MATERIAL:	
	FINISH:		WEIGHT: 9	
PROPRIETARY AND CONFIDENTIAL THE INFORMATION CONTAINED IN THIS DRAWING IS THE SOLE PROPERTY OF HARDWARE RESOURCES INC. ANY REPRODUCTION IN PART OR AS A WHOLE WITHOUT THE WRITTEN PERMISSION OF HARDWARE RESOURCES INC. IS PROHIBITED.	DO NOT SCALE DRAWING		PROJECTION:	
	UNIT:	DRAWN BY: <i>alan.liu</i>	DATE:	
	SIZE:	CHECKED BY:	DATE:	
PAGE 17	APPROVED BY:	DATE:		



	ITEM: SHELF-BOARD		MATERIAL:	
	FINISH:		WEIGHT: 9	
PROPRIETARY AND CONFIDENTIAL THE INFORMATION CONTAINED IN THIS DRAWING IS THE SOLE PROPERTY OF HARDWARE RESOURCES INC. ANY REPRODUCTION IN PART OR AS A WHOLE WITHOUT THE WRITTEN PERMISSION OF HARDWARE RESOURCES INC. IS PROHIBITED.	DO NOT SCALE DRAWING		PROJECTION:	
	UNIT:	DRAWN BY: <i>alan.liu</i>	DATE:	
	SIZE:	CHECKED BY:	DATE:	
	PAGE 18	APPROVED BY:	DATE:	