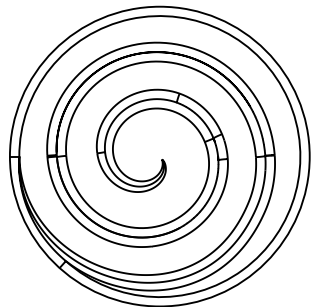
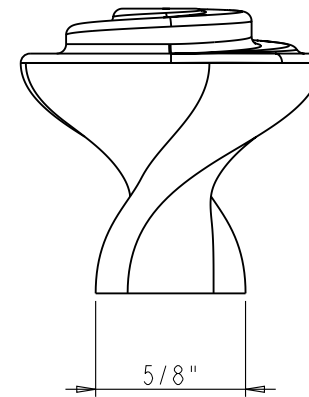
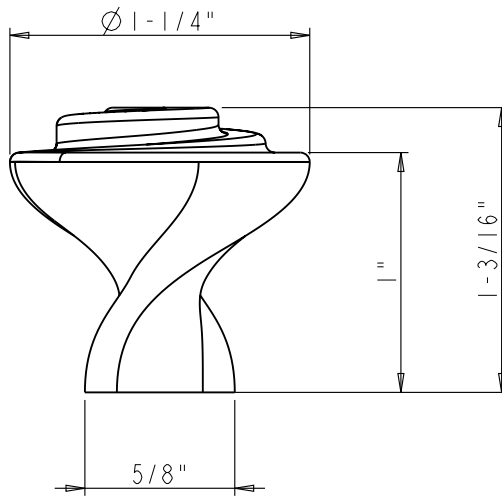
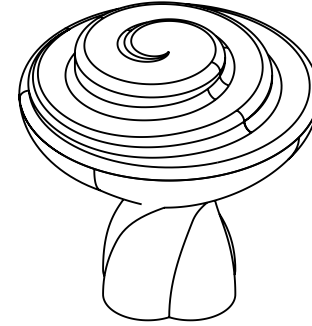


8-32 UNC - DRILL-DEPTH 1/2"



	ITEM#	343		MATERIAL:	Zinc
	FINISH:			WEIGHT:	57.88 g
PROPRIETARY AND CONFIDENTIAL THE INFORMATION CONTAINED IN THIS DRAWING IS THE SOLE PROPERTY OF HARDWARE RESOURCES INC. ANY REPRODUCTION IN PART OR AS A WHOLE WITHOUT THE WRITTEN PERMISSION OF HARDWARE RESOURCES INC. IS PROHIBITED.	TOLERANCE UNLESS OTHERWISE SPECIFIED:	UNIT:	DRAWN BY:	DATE:	
	X: MM ±0.20	SIZE:	alan. liu	CHECKED BY:	DATE:
	X.X: MM ±0.10		APPROVED BY:		DATE:
	ANGULAR: ±0.5°				
DO NOT SCALE DRAWING					