
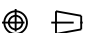
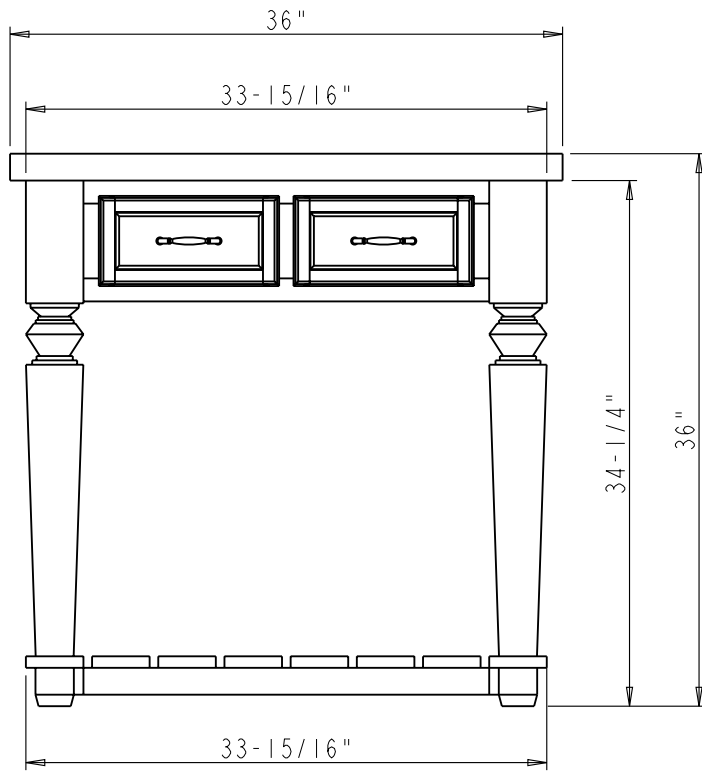


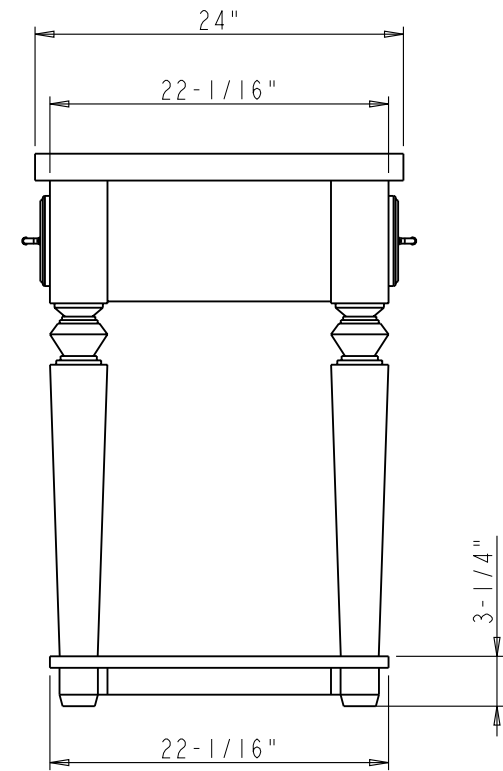
Specification:

1. Material: MDF and Birch
2. Finish: Aged Black and French White
3. Hardware: WeiTai 81541SN ( 4 PCS )
4. Slides: USE18 ( 2 SETS )
5. Drawer Boxes: 5/8" Rubber wood  
Clear color  
Dovetail
6. Posts: P34 from current inventory
7. The tolerance is +/- 1/8"

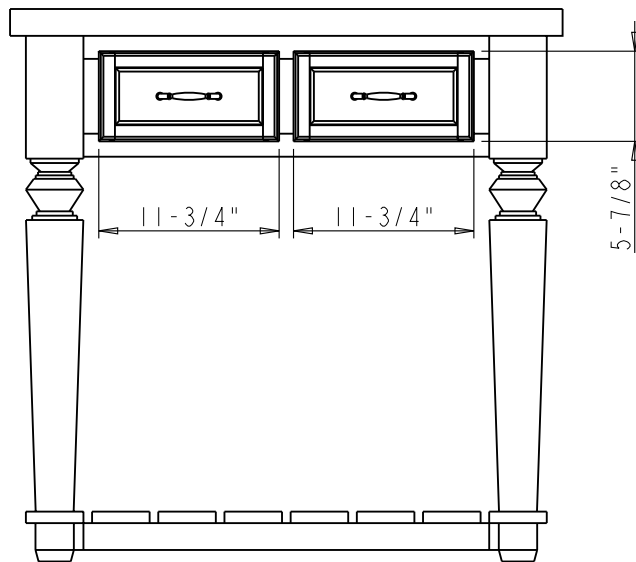
	ITEM#: 1SL10		MATERIAL:	
	FINISH:		WEIGHT: 9	
<p><b>PROPRIETARY AND CONFIDENTIAL</b></p> <p>THE INFORMATION CONTAINED IN THIS DRAWING IS THE SOLE PROPERTY OF HARDWARE RESOURCES INC. ANY REPRODUCTION IN PART OR AS A WHOLE WITHOUT THE WRITTEN PERMISSION OF HARDWARE RESOURCES INC. IS PROHIBITED</p>	DO NOT SCALE DRAWING		PROJECTION: 	
	UNIT:	DRAWN BY: <i>alan.liu</i>	DATE:	
	SIZE:	CHECKED BY:	DATE:	
	PAGE 01	APPROVED BY:	DATE:	



FRONT VIEW

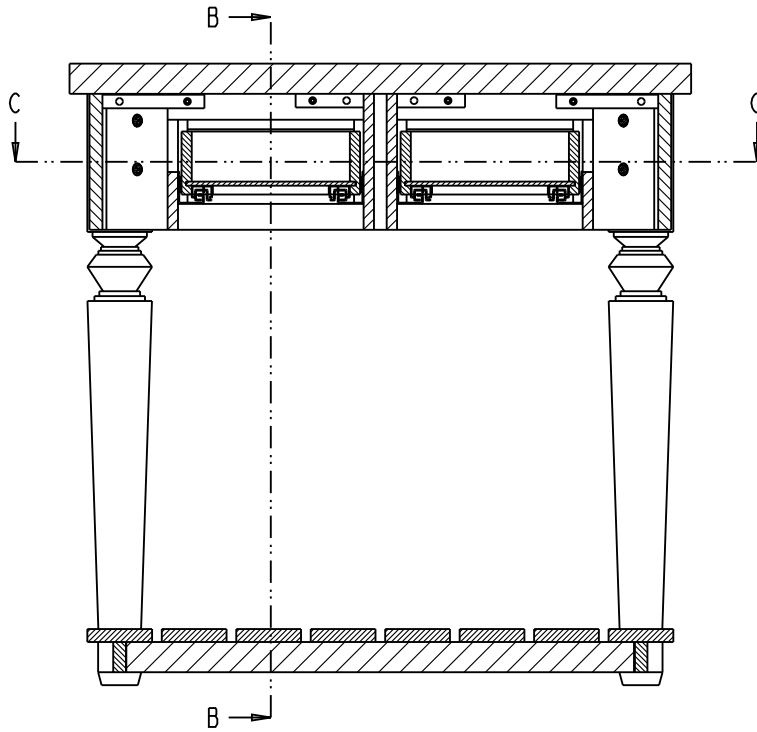


SIDE VIEW

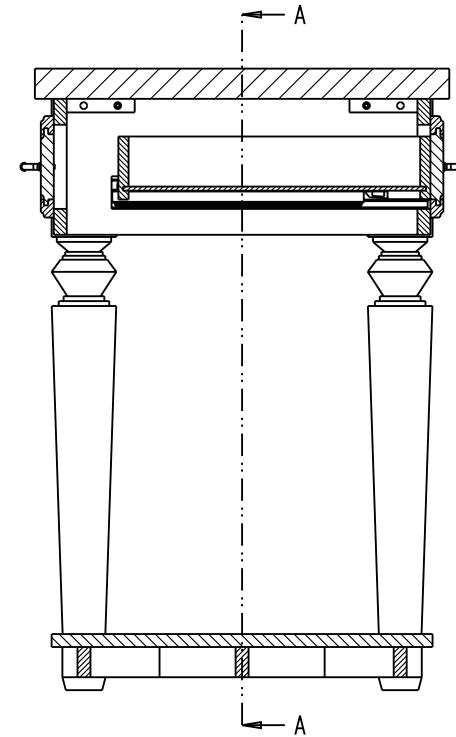


REAR VIEW

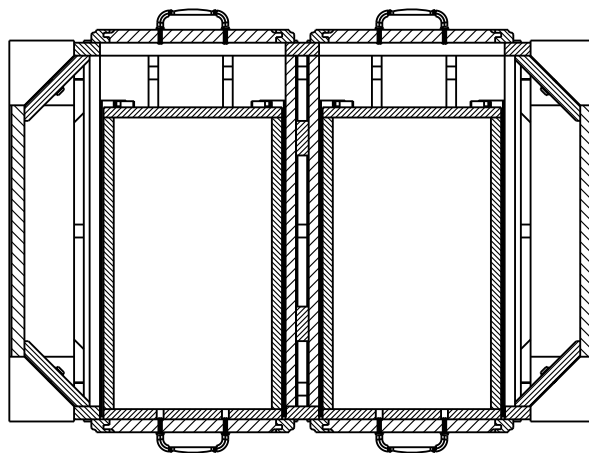
	ITEM#: 1 SL 10		MATERIAL:	
	FINISH:		WEIGHT: 9	
PROPRIETARY AND CONFIDENTIAL THE INFORMATION CONTAINED IN THIS DRAWING IS THE SOLE PROPERTY OF HARDWARE RESOURCES INC. ANY REPRODUCTION IN PART OR AS A WHOLE WITHOUT THE WRITTEN PERMISSION OF HARDWARE RESOURCES INC. IS PROHIBITED.	PROJECTION:		DATE:	
	UNIT:	DRAWN BY: alan.liu	DATE:	
	DO NOT SCALE DRAWING	CHECKED BY:	DATE:	
PAGE 02	APPROVED BY:	DATE:		




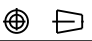
SECTION A-A  
SCALE 9:100

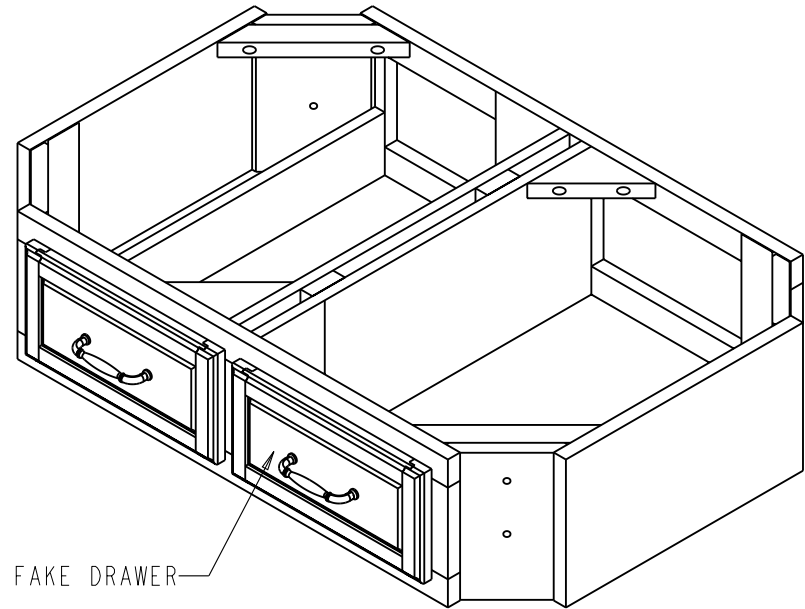
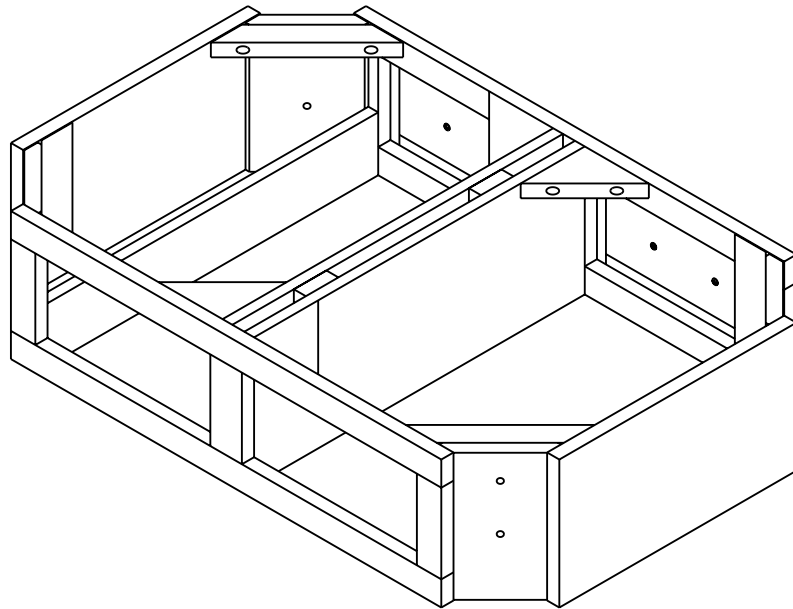


SECTION B-B




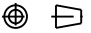
SECTION C-C

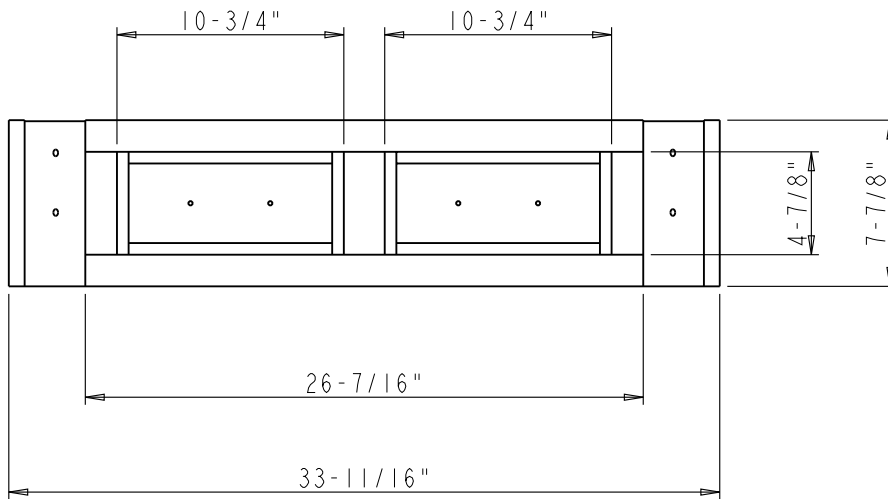
	ITEM#: 1 SL 10		MATERIAL:		
	FINISH:		WEIGHT: 9		
<p><b>PROPRIETARY AND CONFIDENTIAL</b></p> <p>THE INFORMATION CONTAINED IN THIS DRAWING IS THE SOLE PROPERTY OF HARDWARE RESOURCES INC. ANY REPRODUCTION IN PART OR AS A WHOLE WITHOUT THE WRITTEN PERMISSION OF HARDWARE RESOURCES INC. IS PROHIBITED</p>	DO NOT SCALE DRAWING	UNIT:	DRAWN BY: <i>alan.liu</i>	DATE:	
		SIZE:	CHECKED BY:	DATE:	
		PAGE 03		APPROVED BY:	DATE:
		PROJECTION: 			



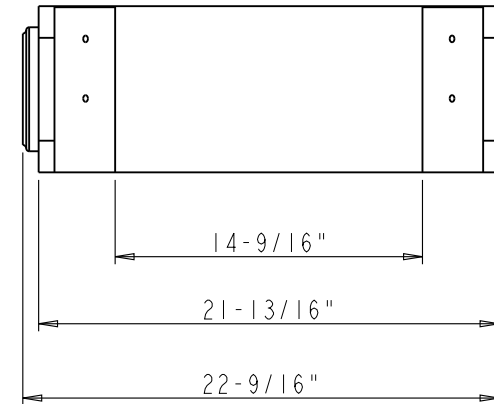
Specification:

1. Material: MDF and Birch
2. Finish: Aged Black and French White

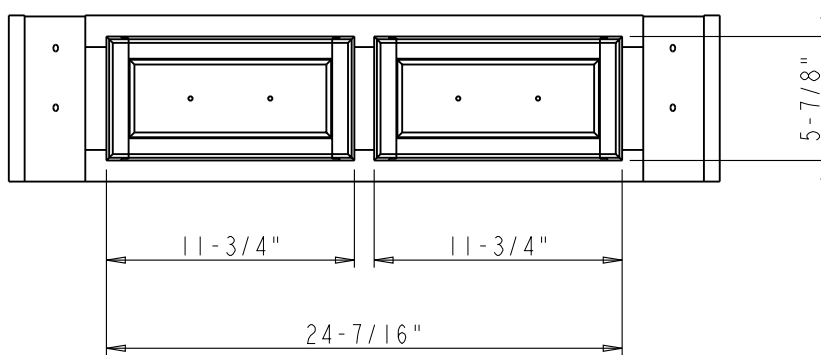
	ITEM#: CABINET		MATERIAL:	
	FINISH:		WEIGHT: 9	
<p><b>PROPRIETARY AND CONFIDENTIAL</b></p> <p>THE INFORMATION CONTAINED IN THIS DRAWING IS THE SOLE PROPERTY OF HARDWARE RESOURCES INC. ANY REPRODUCTION IN PART OR AS A WHOLE WITHOUT THE WRITTEN PERMISSION OF HARDWARE RESOURCES INC. IS PROHIBITED</p>	<p>DO NOT SCALE DRAWING</p>	UNIT:	DRAWN BY: <i>alan.liu</i>	DATE:
		SIZE:	CHECKED BY:	DATE:
		PAGE 04	APPROVED BY:	DATE:
			PROJECTION: 	



FRONT VIEW

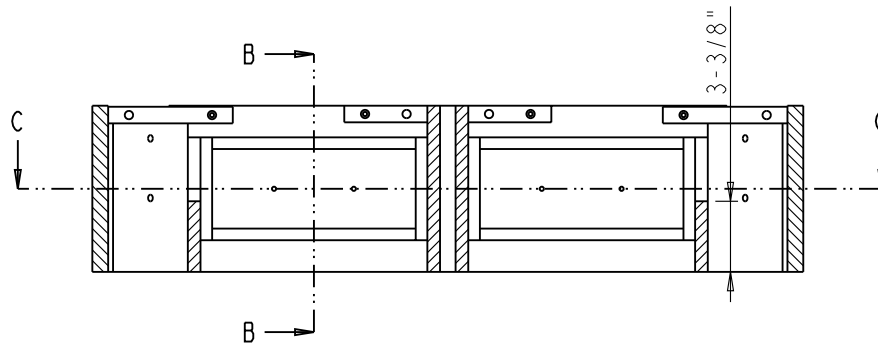


SIDE VIEW



REAR VIEW

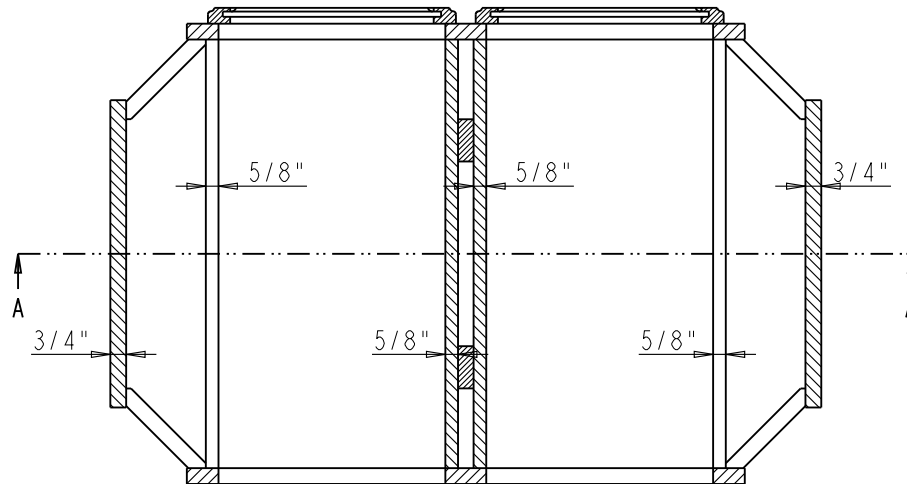
	ITEM#: CABINET		MATERIAL:	
	FINISH:		WEIGHT: 9	
PROPRIETARY AND CONFIDENTIAL THE INFORMATION CONTAINED IN THIS DRAWING IS THE SOLE PROPERTY OF HARDWARE RESOURCES INC. ANY REPRODUCTION IN PART OR AS A WHOLE WITHOUT THE WRITTEN PERMISSION OF HARDWARE RESOURCES INC. IS PROHIBITED.	DO NOT SCALE DRAWING		PROJECTION:	
	UNIT:	DRAWN BY: <i>alan.liu</i>	CHECKED BY:	DATE:
	SIZE:	APPROVED BY:	CHECKED BY:	DATE:
PAGE 05		DATE:		DATE:




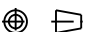
SECTION A-A  
SCALE 11:100

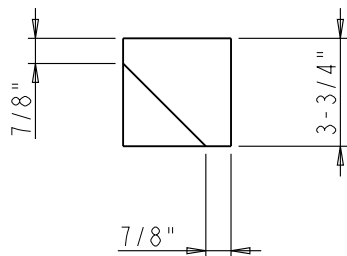
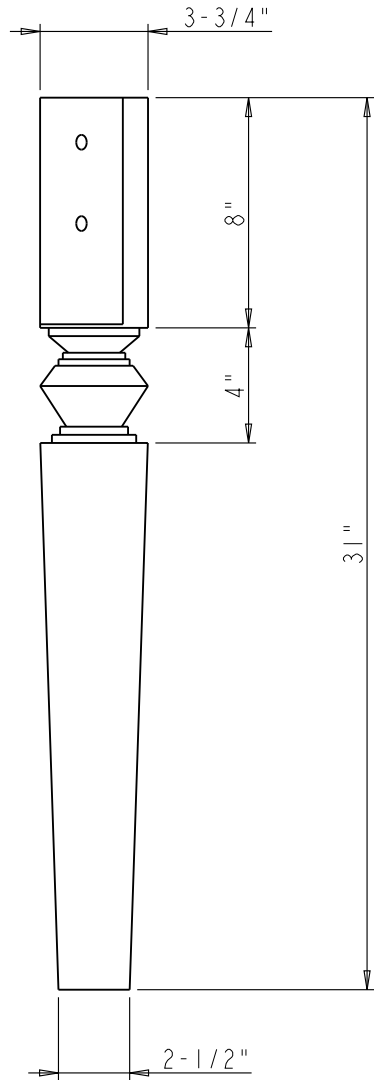


SECTION B-B

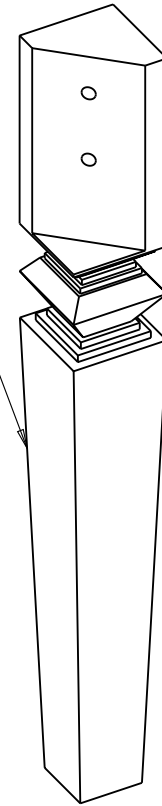


SECTION C-C

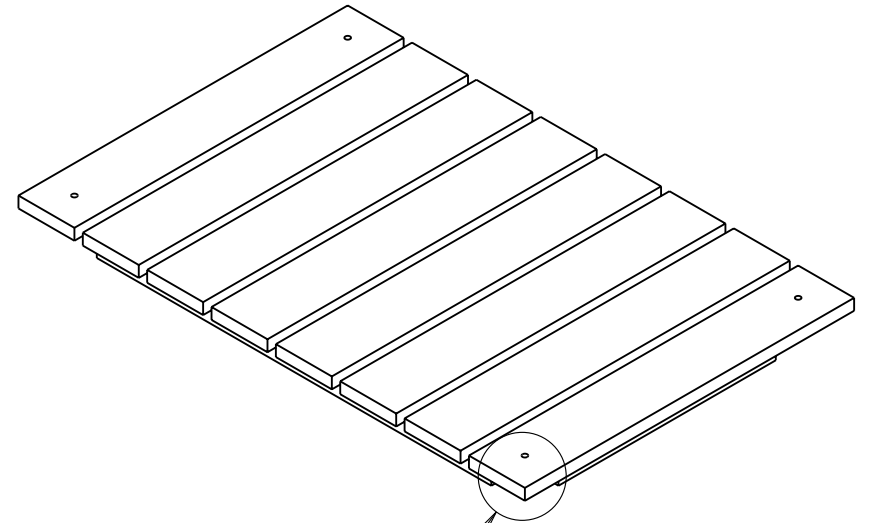
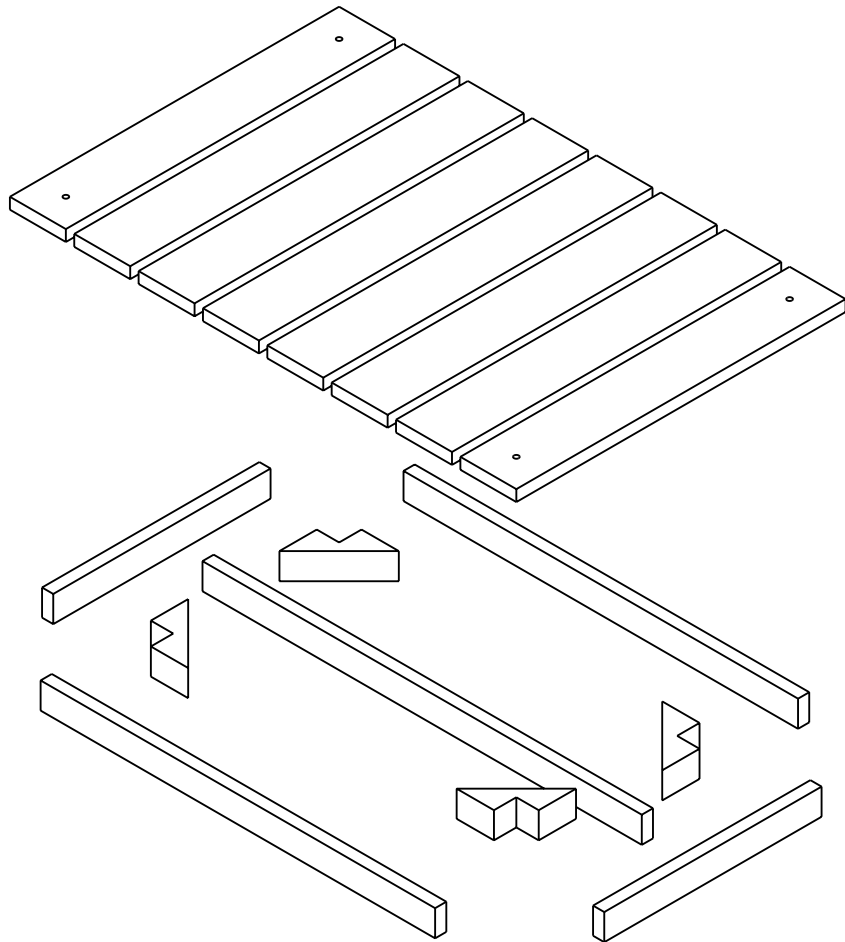
	ITEM: CABINET		MATERIAL:	
	FINISH:		WEIGHT: 9	
PROPRIETARY AND CONFIDENTIAL THE INFORMATION CONTAINED IN THIS DRAWING IS THE SOLE PROPERTY OF HARDWARE RESOURCES INC. ANY REPRODUCTION IN PART OR AS A WHOLE WITHOUT THE WRITTEN PERMISSION OF HARDWARE RESOURCES INC. IS PROHIBITED.	DO NOT SCALE DRAWING		PROJECTION: 	
	UNIT:	DRAWN BY: <i>alan.liu</i>	CHECKED BY:	DATE:
	SIZE:	APPROVED BY:	CHECKED BY:	DATE:
PAGE 06				



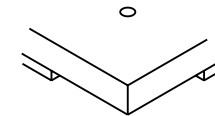
P34 from current inventory



	ITEM: LEG		MATERIAL:	
	FINISH:		WEIGHT: 9	
PROPRIETARY AND CONFIDENTIAL THE INFORMATION CONTAINED IN THIS DRAWING IS THE SOLE PROPERTY OF HARDWARE RESOURCES INC. ANY REPRODUCTION IN PART OR AS A WHOLE WITHOUT THE WRITTEN PERMISSION OF HARDWARE RESOURCES INC. IS PROHIBITED.	DO NOT SCALE DRAWING	UNIT:	DRAWN BY: <i>alan.liu</i>	DATE:
		SIZE:	CHECKED BY:	DATE:
		PAGE 07	APPROVED BY:	DATE:
			PROJECTION:	




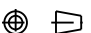
SEE DETAIL A



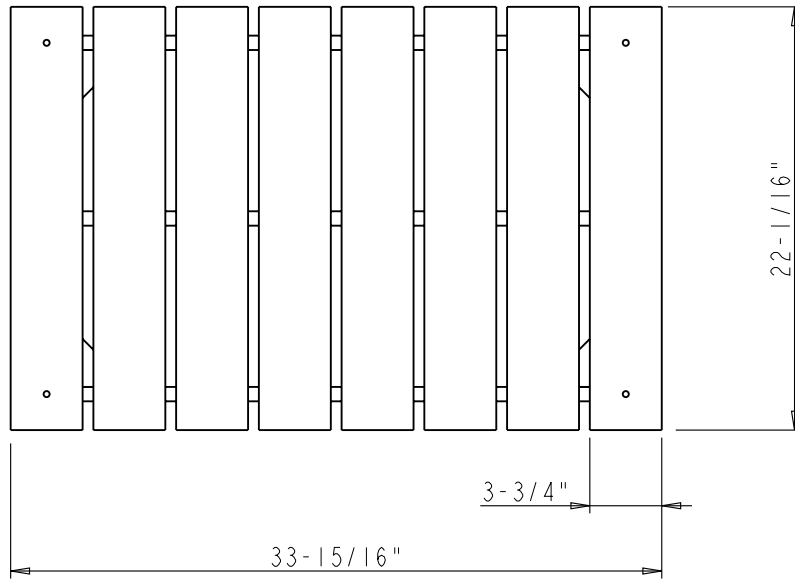
DETAIL A  
SCALE 1:4

Specification:

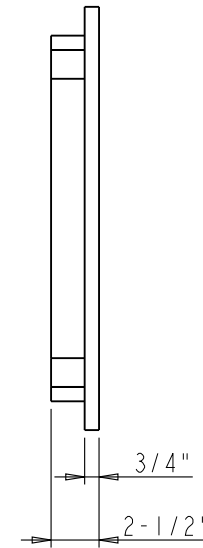
1. Material: MDF and Birch
2. Finish: Aged Black and French White

	ITEM: BOTTOM-SHELF		MATERIAL:	
	FINISH:		WEIGHT: 9	
PROPRIETARY AND CONFIDENTIAL THE INFORMATION CONTAINED IN THIS DRAWING IS THE SOLE PROPERTY OF HARDWARE RESOURCES INC. ANY REPRODUCTION IN PART OR AS A WHOLE WITHOUT THE WRITTEN PERMISSION OF HARDWARE RESOURCES INC. IS PROHIBITED.	DO NOT SCALE DRAWING	UNIT:	DRAWN BY: <i>alan.liu</i>	DATE:
		SIZE:	CHECKED BY:	DATE:
		PAGE 08	APPROVED BY:	DATE:
			PROJECTION:	

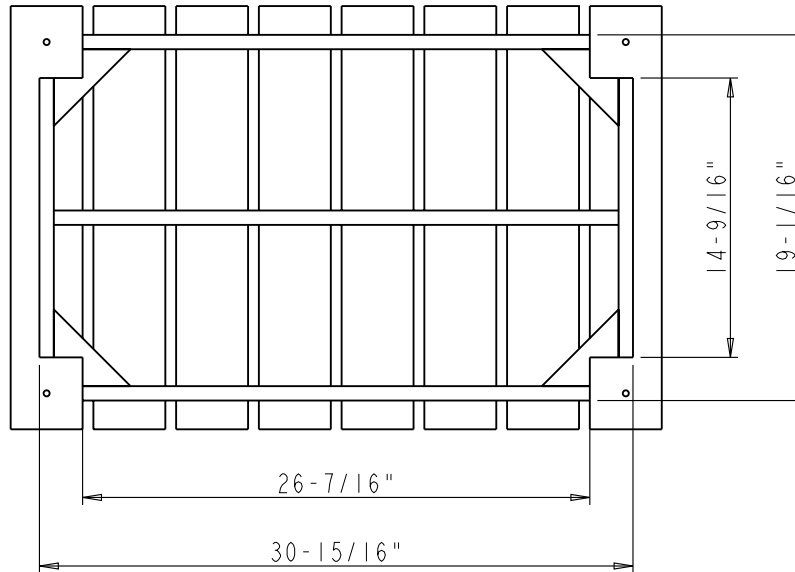




FRONT VIEW

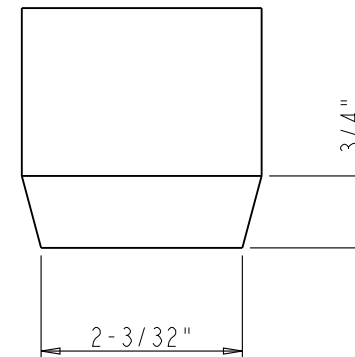
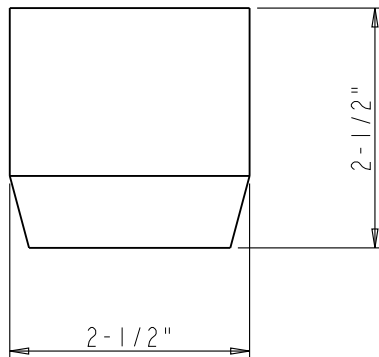
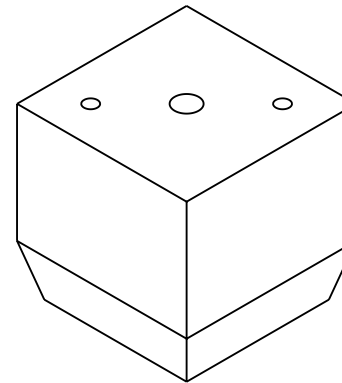
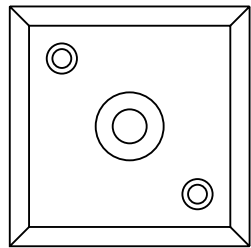


SIDE VIEW



BOTTOM VIEW

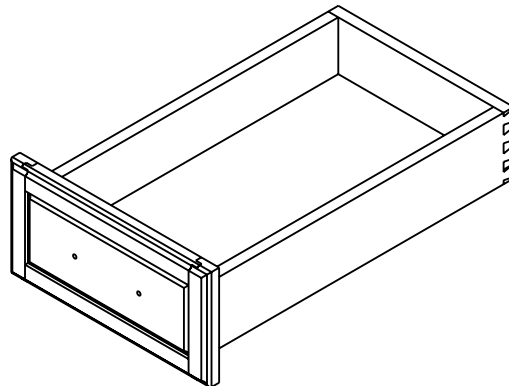
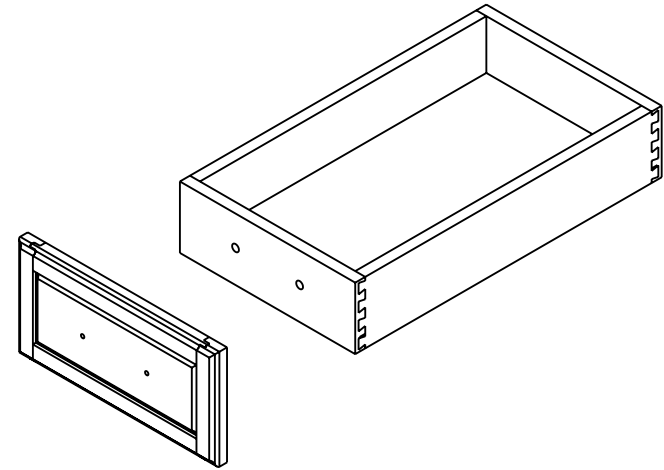
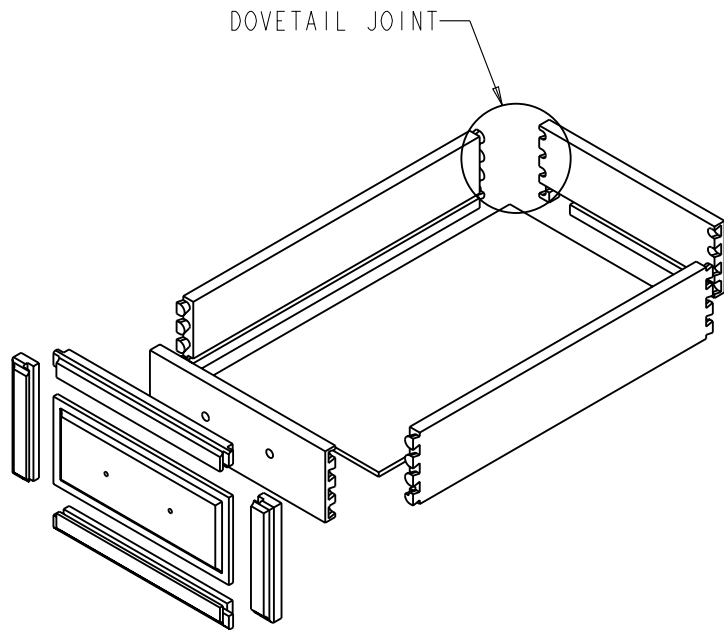
	ITEM: BOTTOM-SHELF		MATERIAL:	
	FINISH:		WEIGHT: 9	
PROPRIETARY AND CONFIDENTIAL THE INFORMATION CONTAINED IN THIS DRAWING IS THE SOLE PROPERTY OF HARDWARE RESOURCES INC. ANY REPRODUCTION IN PART OR AS A WHOLE WITHOUT THE WRITTEN PERMISSION OF HARDWARE RESOURCES INC. IS PROHIBITED.	DO NOT SCALE DRAWING	UNIT:	DRAWN BY: <i>alan.liu</i>	DATE:
		SIZE:	CHECKED BY:	DATE:
		PAGE 09	APPROVED BY:	DATE:
			PROJECTION:	



Note:


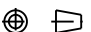
All the holes need to match with related parts.

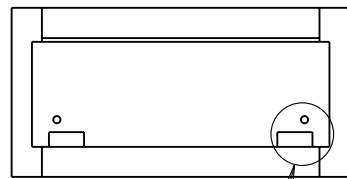
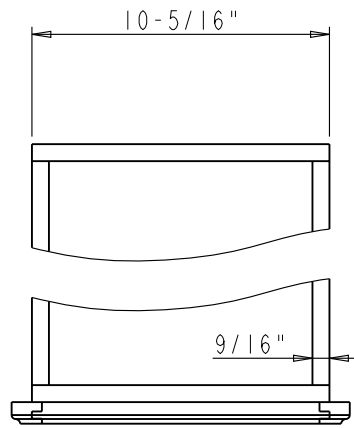
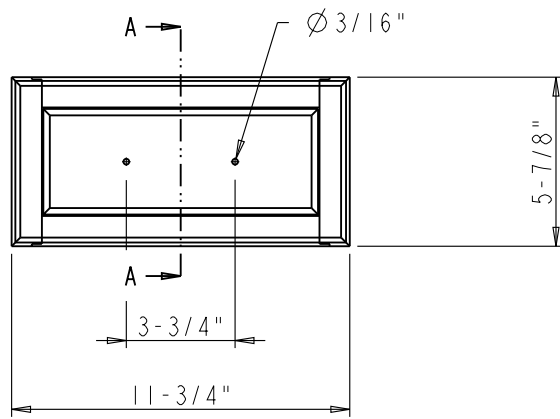
	ITEM#: FOOT		MATERIAL:		
	FINISH:		WEIGHT: 9		
<p><b>PROPRIETARY AND CONFIDENTIAL</b></p> <p>THE INFORMATION CONTAINED IN THIS DRAWING IS THE SOLE PROPERTY OF HARDWARE RESOURCES INC. ANY REPRODUCTION IN PART OR AS A WHOLE WITHOUT THE WRITTEN PERMISSION OF HARDWARE RESOURCES INC. IS PROHIBITED</p>	PROJECTION:		DATE:		
	DO NOT SCALE DRAWING	UNIT:	DRAWN BY: <i>alan.liu</i>	DATE:	
		SIZE:	CHECKED BY:	DATE:	
PAGE 10		APPROVED BY:	DATE:		



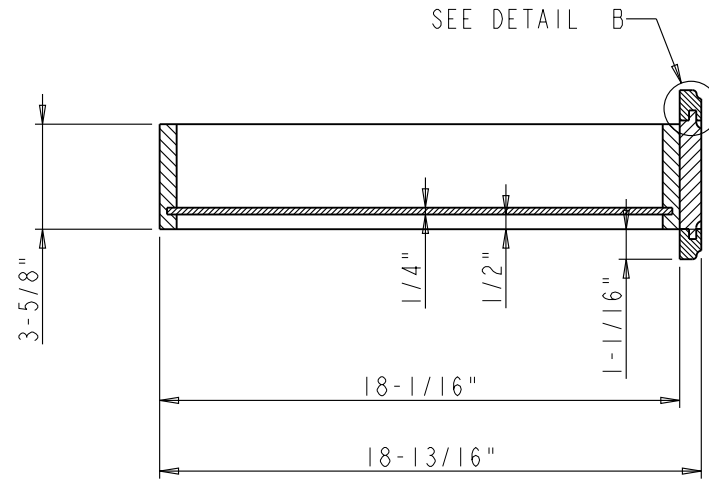
Specification:

- 1. Drawer Boxes: 5/8" Rubber wood
- Clear color
- Dovetail

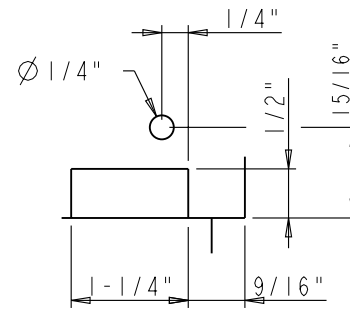
	ITEM: DRAWER		MATERIAL:		
	FINISH:		WEIGHT: 9		
PROPRIETARY AND CONFIDENTIAL THE INFORMATION CONTAINED IN THIS DRAWING IS THE SOLE PROPERTY OF HARDWARE RESOURCES INC. ANY REPRODUCTION IN PART OR AS A WHOLE WITHOUT THE WRITTEN PERMISSION OF HARDWARE RESOURCES INC. IS PROHIBITED.	PROJECTION: 		DATE:		
	DO NOT SCALE DRAWING	UNIT:	DRAWN BY: <i>alan.liu</i>	DATE:	
		SIZE:	CHECKED BY:	DATE:	
PAGE 11		APPROVED BY:	DATE:		



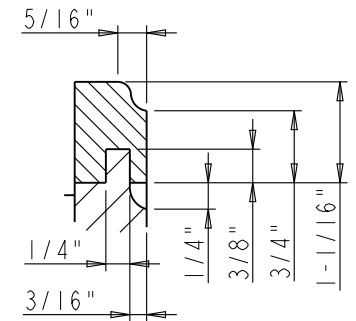
SEE DETAIL A



SECTION A-A

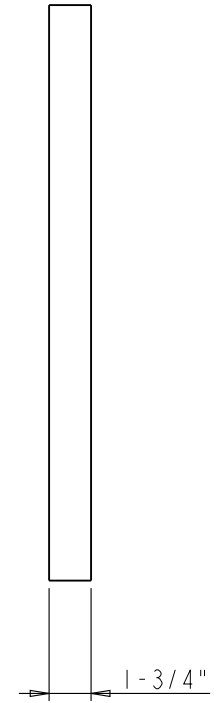
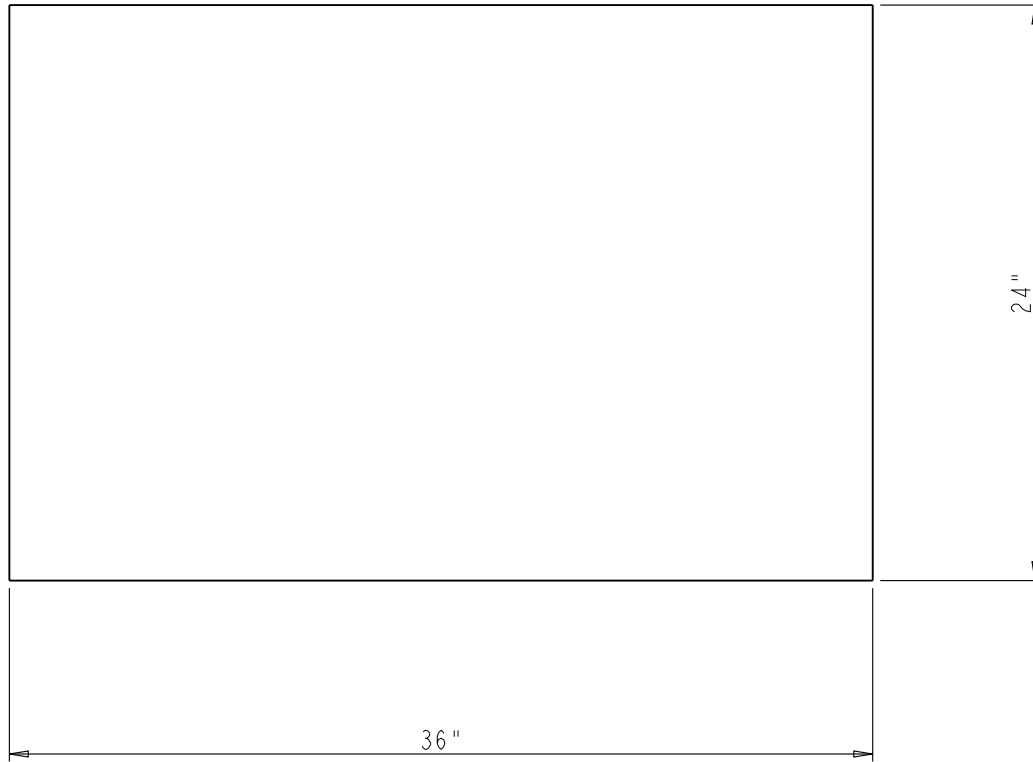



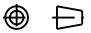
DETAIL A  
SCALE 1:2



DETAIL B  
SCALE 1:2

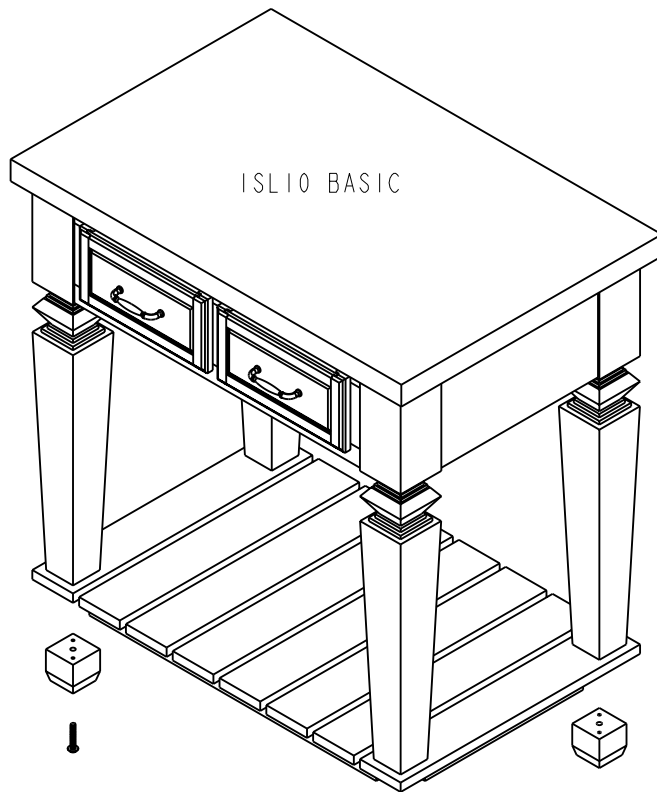
	ITEM: DRAWER		MATERIAL:	
	FINISH:		WEIGHT: 9	
PROPRIETARY AND CONFIDENTIAL THE INFORMATION CONTAINED IN THIS DRAWING IS THE SOLE PROPERTY OF HARDWARE RESOURCES INC. ANY REPRODUCTION IN PART OR AS A WHOLE WITHOUT THE WRITTEN PERMISSION OF HARDWARE RESOURCES INC. IS PROHIBITED.	DO NOT SCALE DRAWING	UNIT:	DRAWN BY: <i>alan.liu</i>	DATE:
		SIZE:	CHECKED BY:	DATE:
		PAGE 12	APPROVED BY:	DATE:



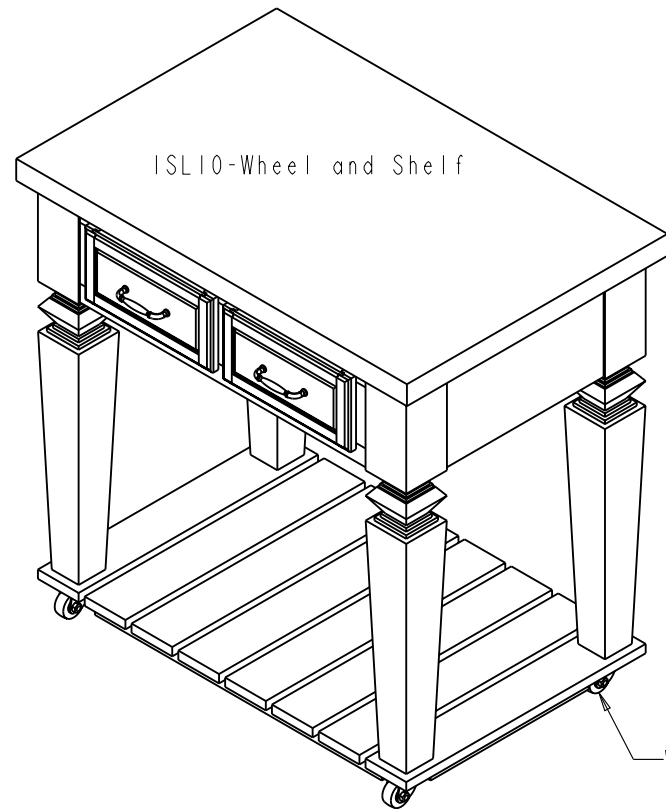
	ITEM#: TOP-BOARD		MATERIAL:	
	FINISH:		WEIGHT: 9	
<p><b>PROPRIETARY AND CONFIDENTIAL</b></p> <p>THE INFORMATION CONTAINED IN THIS DRAWING IS THE SOLE PROPERTY OF HARDWARE RESOURCES INC. ANY REPRODUCTION IN PART OR AS A WHOLE WITHOUT THE WRITTEN PERMISSION OF HARDWARE RESOURCES INC. IS PROHIBITED</p>	DO NOT SCALE DRAWING		PROJECTION: 	
	UNIT:	DRAWN BY: <i>alan.liu</i>	DATE:	
	SIZE:	CHECKED BY:	DATE:	
PAGE 13	APPROVED BY:	DATE:		

Follow below Process, You could change ISL10 from Basic style to another style:

1. Detach the bolt;
2. Remove the foot;
3. Mount the wheel;



FOOT  
Bolt

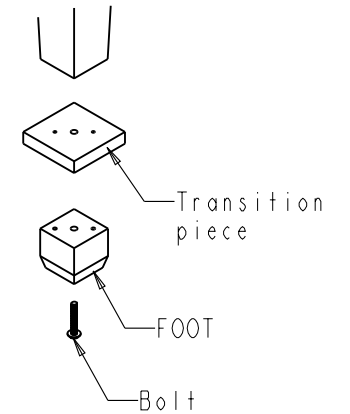
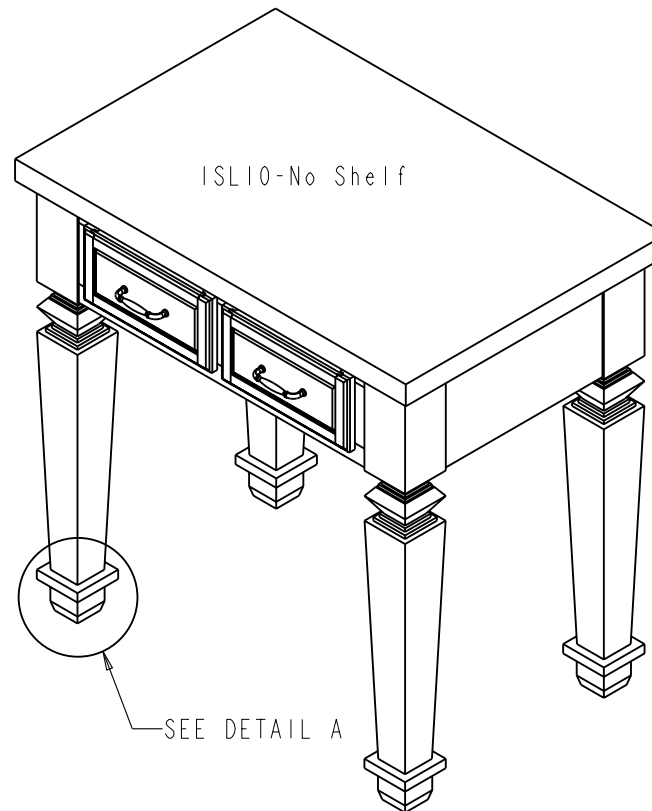
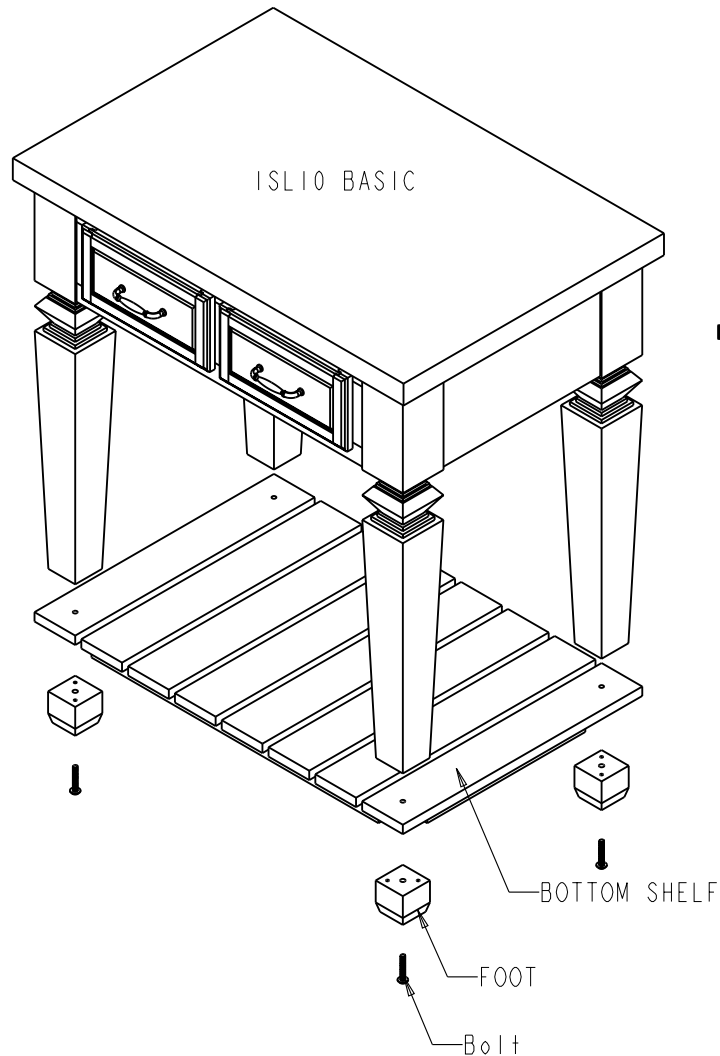


WHEEL

	ITEM#: DIFFERENT-SET-1		MATERIAL:	
	FINISH:		WEIGHT: 9	
PROPRIETARY AND CONFIDENTIAL THE INFORMATION CONTAINED IN THIS DRAWING IS THE SOLE PROPERTY OF HARDWARE RESOURCES INC. ANY REPRODUCTION IN PART OR AS A WHOLE WITHOUT THE WRITTEN PERMISSION OF HARDWARE RESOURCES INC. IS PROHIBITED.	DO NOT SCALE DRAWING	UNIT:	DRAWN BY: <i>alan.liu</i>	DATE:
		SIZE:	CHECKED BY:	DATE:
		PAGE 14	APPROVED BY:	DATE:
			PROJECTION:	

Follow below Process, You could change ISL10 from Basic style to another style:

1. Detach the bolt and foot;
2. Remove the bottom shelf;
3. Mount the transition piece;
3. Re-mount the foot and bolt;
4. If necessary, one or two wood screw could be added to make the transition-piece be mounted tightly;

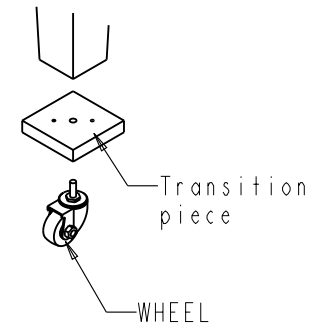
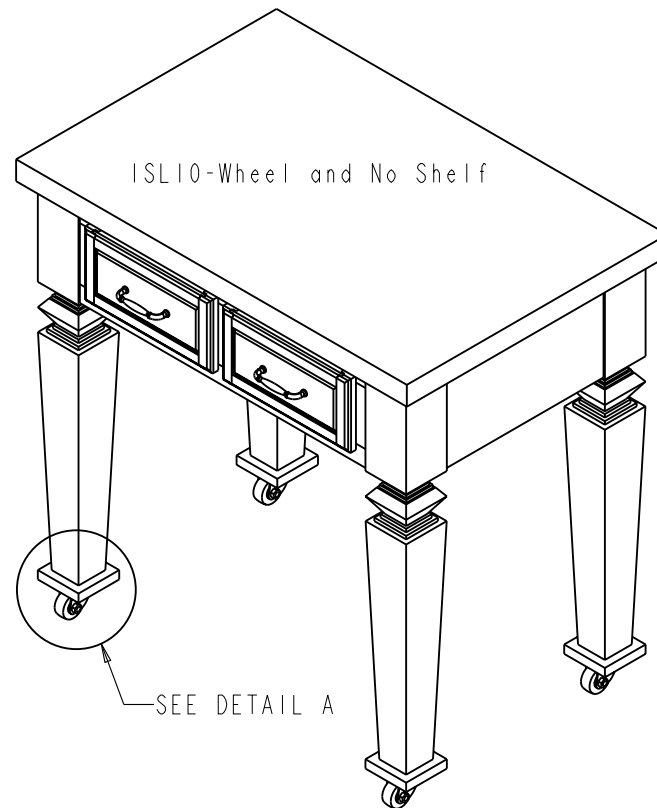
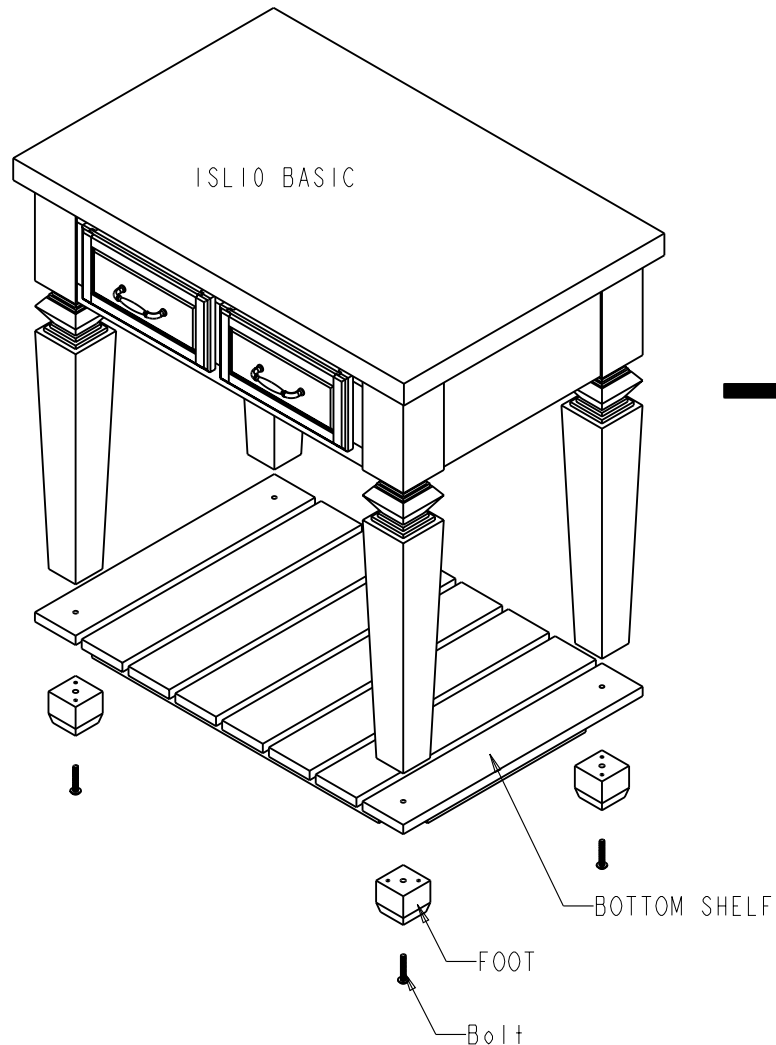


DETAIL A

	ITEM:	DIFFERENT-SET-2		MATERIAL:
	FINISH:			WEIGHT: 9
PROPRIETARY AND CONFIDENTIAL THE INFORMATION CONTAINED IN THIS DRAWING IS THE SOLE PROPERTY OF HARDWARE RESOURCES INC. ANY REPRODUCTION IN PART OR AS A WHOLE WITHOUT THE WRITTEN PERMISSION OF HARDWARE RESOURCES INC. IS PROHIBITED.	DO NOT SCALE DRAWING	UNIT:	DRAWN BY:	DATE:
		SIZE:	CHECKED BY:	DATE:
		PAGE 15	APPROVED BY:	DATE:

Follow below Process, You could change ISL10 from Basic style to another style:

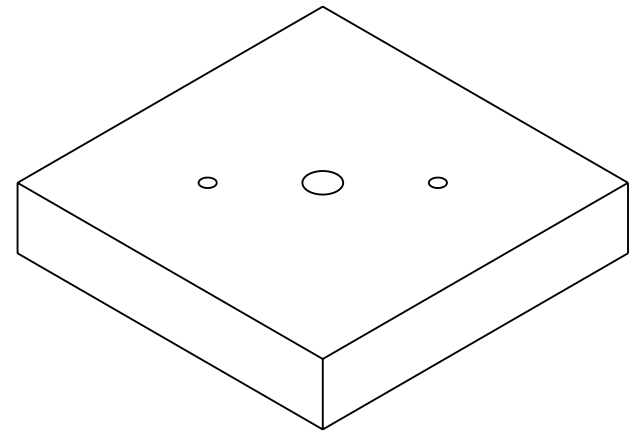
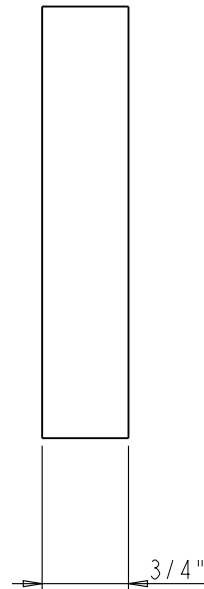
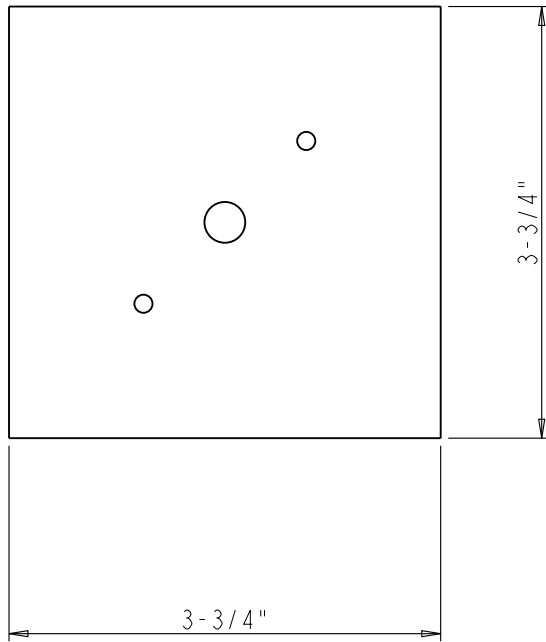
1. Detach the bolt;
2. Remove the foot and bottom shelf;
3. Mount the transition-piece;
4. If necessary, one or two wood screw could be added to make the transition-piece be mounted tightly;
5. Mount the wheel;



DETAIL A


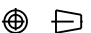
	ITEM#: DIFFERENT-SET-3		MATERIAL:	
	FINISH:		WEIGHT: 9	
PROPRIETARY AND CONFIDENTIAL THE INFORMATION CONTAINED IN THIS DRAWING IS THE SOLE PROPERTY OF HARDWARE RESOURCES INC. ANY REPRODUCTION IN PART OR AS A WHOLE WITHOUT THE WRITTEN PERMISSION OF HARDWARE RESOURCES INC. IS PROHIBITED.	DO NOT SCALE DRAWING		PROJECTION:	
	UNIT:	DRAWN BY: <i>alan.liu</i>	DATE:	
	SIZE:	CHECKED BY:	DATE:	
PAGE 16		APPROVED BY:	DATE:	





Note:

All the holes need to match with related parts.

	ITEM#: TRANSITION-PIECE		MATERIAL:	
	FINISH:		WEIGHT: 9	
PROPRIETARY AND CONFIDENTIAL THE INFORMATION CONTAINED IN THIS DRAWING IS THE SOLE PROPERTY OF HARDWARE RESOURCES INC. ANY REPRODUCTION IN PART OR AS A WHOLE WITHOUT THE WRITTEN PERMISSION OF HARDWARE RESOURCES INC. IS PROHIBITED.	DO NOT SCALE DRAWING		PROJECTION: 	
	UNIT:	DRAWN BY: <i>alan.liu</i>	CHECKED BY:	DATE:
	SIZE:	APPROVED BY:	CHECKED BY:	DATE:
PAGE 17				