

Square Plate with Lever Handle for Thermostatic Valves (J-TH34 & J-TH12)

Model #: T476-TRIM-



FEATURES:

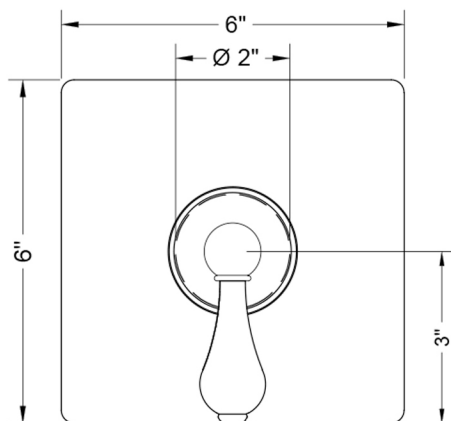
- All brass square trim with lever handle to match Roaring 20's, Westfield, and Astor Collections for J-TH34 and J-TH12 valves
- Trim contains temperature indicator in Fahrenheit so user can set water to desired temperature with no need to adjust further
- Requires rough valve J-TH34 or J-TH12

AVAILABLE FINISHES:

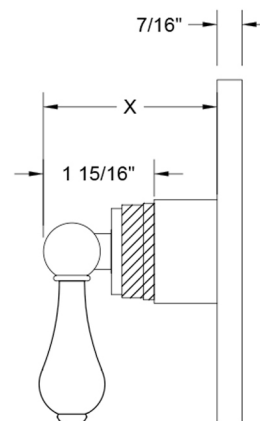
Polished Chrome (PCH)	Satin Chrome (SC)	Bronze Umber (BU)
Satin Nickel (SN)	Pewter (PEW)	Caramel Bronze (CB)
Polished Nickel (PN)	Antique Brass (AB)	Antique Copper (ACU)
Oil-Rubbed Bronze (ORB)	Polished Brass (PB)	Polished Copper (PCU)
Vintage Bronze (VB)	Satin Brass (SB)	Rose Gold (RG)
Matte Black (MBK)	Satin Gold (SG)	Polished Gold (PG)
Black Nickel (BKN)	Bombay Gold (BG)	Jewelers Gold (JG)
Europa Bronze (EB)	White (WH)	Sedona Beige (SDB)
Tristan Brass (TB)	Unlacquered Brass (ULB)	

SPECIFICATION DRAWING:

FRONT VIEW



SIDE VIEW



X Varies With Install