

Oval Plate with CUBIX® Cube Thermostatic Valve with Cube Built-in
 2-Way Or 3-Way Diverter/Volume Controls (J-TH34-686 / J-
 TH34-687 / J-TH34-688 / J-TH34-689)



Model #: T8503-TRIM-



FEATURES:

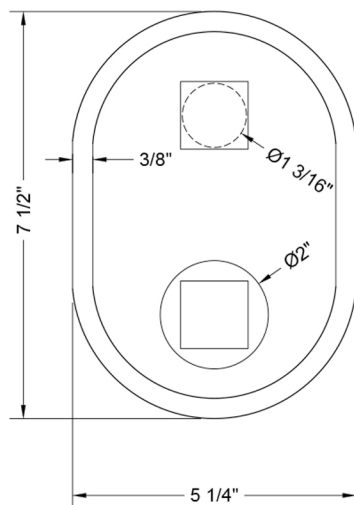
- All brass construction
- Bottom Trim handle contains temperature indicator in Fahrenheit so user can set water to desired temperature with no need to adjust further
- Top Trim handle turns the water on and off, controls the volume of the water, and diverts the water
- Requires rough valve J-TH34-686 for 2 functions, J-TH34-688 for 3 functions, J-TH34-687 for 2 shared functions, or J-TH34-689 for 3 shared functions

AVAILABLE FINISHES:

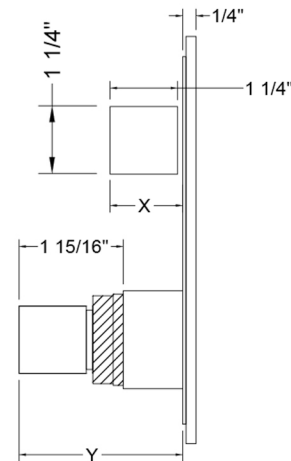
| | | |
|-------------------------|---------------------|-----------------------|
| Polished Chrome (PCH) | Satin Chrome (SC) | Bronze Umber (BU) |
| Satin Nickel (SN) | Pewter (PEW) | Caramel Bronze (CB) |
| Polished Nickel (PN) | Antique Brass (AB) | Antique Copper (ACU) |
| Oil-Rubbed Bronze (ORB) | Polished Brass (PB) | Polished Copper (PCU) |
| Vintage Bronze (VB) | Satin Brass (SB) | Matte Black (MBK) |
| Satin Gold (SG) | Polished Gold (PG) | Black Nickel (BKN) |
| Bombay Gold (BG) | Jewelers Gold (JG) | Europa Bronze (EB) |
| White (WH) | Sedona Beige (SDB) | Tristan Brass (TB) |
| Unlacquered Brass (ULB) | Satin Cooper (SCU) | |

SPECIFICATION DRAWING:

FRONT VIEW



SIDE VIEW



X & Y Vary With Install