

## Bonnie Rainhead

Model #: S193-

### FEATURES:

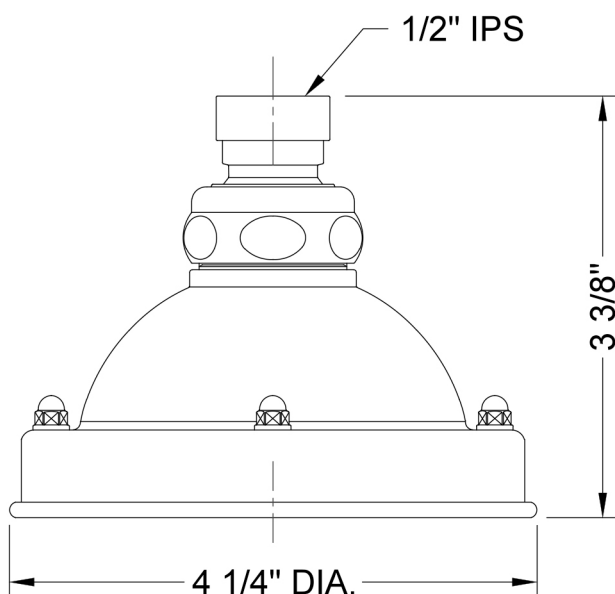
- 4" Diameter brass rainhead
- 1/2" IPS adjustable brass ball joint to adjust angle of showerhead
- 25 easy clean replaceable rubber jets
- Available flow rates: 2.5, 2.0, 1.75 & 1.5 GPM



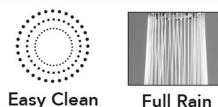
### AVAILABLE FINISHES:

Polished Chrome (PCH)	Satin Chrome (SC)	Bronze Umber (BU)
Satin Nickel (SN)	Pewter (PEW)	Caramel Bronze (CB)
Polished Nickel (PN)	Antique Brass (AB)	Antique Copper (ACU)
Oil-Rubbed Bronze (ORB)	Polished Brass (PB)	Polished Copper (PCU)
Vintage Bronze (VB)	Satin Brass (SB)	Matte Black (MBK)
Satin Gold (SG)	Polished Gold (PG)	Black Nickel (BKN)
Bombay Gold (BG)	Jewelers Gold (JG)	Europa Bronze (EB)
White (WH)	Sedona Beige (SDB)	Tristan Brass (TB)
Unlacquered Brass (ULB)	Satin Cooper (SCU)	

### SPECIFICATION DRAWING:



### SPRAY PATTERNS:



### ANGLES AND FLOW RATES:

2.5 GPM			
2.0 GPM			
1.75 GPM			
1.5 GPM			

### COMPLIANCES:

Complies with: ASME A112.18.1-2012/CSA B125.1-12