

## Frescia Dark Grey Face Showerhead - 2.0 GPM

**Model #: S138-2.0-**



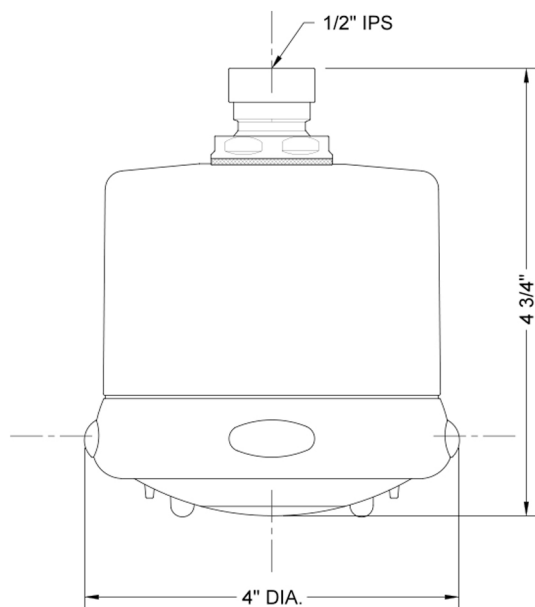
### FEATURES:

- 4 function showerhead with 4" face
- 1/2" IPS adjustable brass ball joint to adjust angle of showerhead
- Rubber tabs on adjusting ring for easy grip, no slip adjustment of functions
- Ideal for use with 60° showerarms, 8041 & 8043
- Available flow rates: 2.5, 2.0, 1.75 & 1.5 GPM

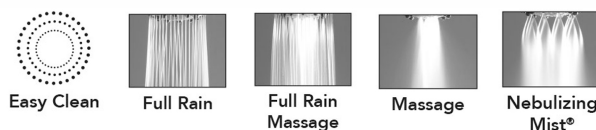
### AVAILABLE FINISHES:

Polished Chrome (PCH)	Satin Chrome (SC)	Bronze Umber (BU)
Satin Nickel (SN)	Pewter (PEW)	Caramel Bronze (CB)
Polished Nickel (PN)	Antique Brass (AB)	Antique Copper (ACU)
Oil-Rubbed Bronze (ORB)	Polished Brass (PB)	Polished Copper (PCU)
Vintage Bronze (VB)	Satin Brass (SB)	Matte Black (MBK)
Satin Gold (SG)	Polished Gold (PG)	Black Nickel (BKN)
Satin Cooper (SCU)		

### SPECIFICATION DRAWING:



### SPRAY PATTERNS:



### COMPLIANCES:

CEC

Complies with: ASME A112.18.1-2012/CSA B125.1-12