

# Vertical Left Traditional Toilet Paper or Wash Cloth Holder for Grab Bar

**Model #: LXTPL90-**

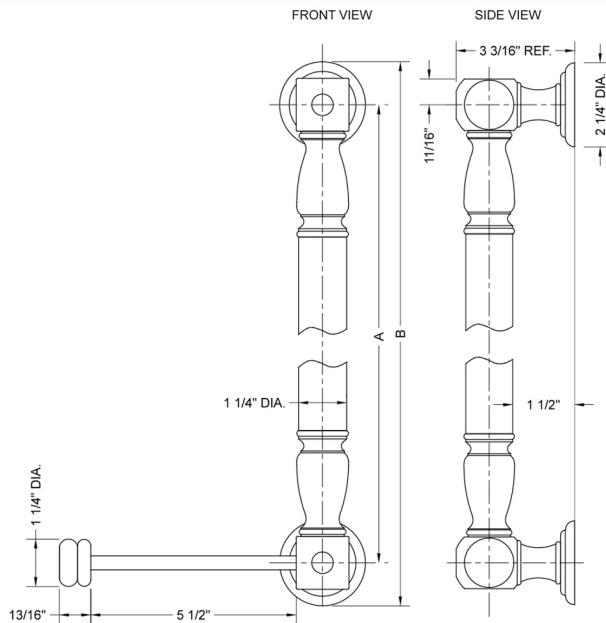
### FEATURES:

- Toilet paper or wash cloth holder attachment for all luxury grab bars
- Toilet paper or wash cloth holder attachment is not intended & should not be used for weight bearing purposes
- All brass construction, fully polished & plated
- 90° justified angle allows for horizontal or vertical mount

### AVAILABLE FINISHES:

Polished Chrome (PCH)	Satin Chrome (SC)	Bronze Umber (BU)
Satin Nickel (SN)	Pewter (PEW)	Caramel Bronze (CB)
Polished Nickel (PN)	Antique Brass (AB)	Antique Copper (ACU)
Oil-Rubbed Bronze (ORB)	Polished Brass (PB)	Polished Copper (PCU)
Vintage Bronze (VB)	Satin Brass (SB)	Matte Black (MBK)
Satin Gold (SG)	Polished Gold (PG)	Black Nickel (BKN)
Bombay Gold (BG)	Jewelers Gold (JG)	Europa Bronze (EB)
White (WH)	Sedona Beige (SDB)	Tristan Brass (TB)
Unlacquered Brass (ULB)	Satin Cooper (SCU)	

### SPECIFICATION DRAWING:



BRASS LUXURY GRAB BAR			
PART. #	DESCRIPTION	A	B
LXTPL90-12-	12" CENTER TO CENTER	12"	14 1/4"
LXTPL90-16-	16" CENTER TO CENTER	16"	18 1/4"
LXTPL90-18-	18" CENTER TO CENTER	18"	20 1/4"
LXTPL90-24-	24" CENTER TO CENTER	24"	26 1/4"
LXTPL90-32-	32" CENTER TO CENTER	32"	34 1/4"
*NOTE: GRAB BARS OVER 32" REQUIRE A MIDDLE POST			
LXTPL90-36-	36" CENTER TO CENTER	36"	38 1/4"
LXTPL90-42-	42" CENTER TO CENTER	42"	44 1/4"
LXTPL90-48-	48" CENTER TO CENTER	48"	50 1/4"
LXTPL90-60-	60" CENTER TO CENTER	60"	62 1/4"