

36" G71 Straight Grab Bar

Model #: G71-36-



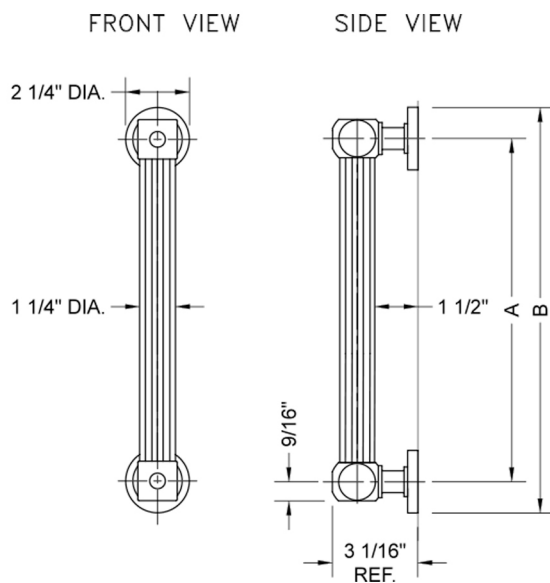
FEATURES:

- ADA compliant when properly installed
- All brass construction, fully polished & plated
- All grab bars can be custom sized. Contact JACLO for pricing & availability
- Optional handshower sliders and toilet paper/wash cloth holders can be added only upon initial order
- Grab bars over 32" REQUIRE a middle post

AVAILABLE FINISHES:

Polished Chrome (PCH)	Satin Chrome (SC)	Bronze Umber (BU)
Satin Nickel (SN)	Pewter (PEW)	Caramel Bronze (CB)
Polished Nickel (PN)	Antique Brass (AB)	Antique Copper (ACU)
Oil-Rubbed Bronze (ORB)	Polished Brass (PB)	Polished Copper (PCU)
Vintage Bronze (VB)	Satin Brass (SB)	Matte Black (MBK)
Satin Gold (SG)	Polished Gold (PG)	Black Nickel (BKN)
Bombay Gold (BG)	Jewelers Gold (JG)	Europa Bronze (EB)
White (WH)	Sedona Beige (SDB)	Tristan Brass (TB)
Unlacquered Brass (ULB)	Satin Cooper (SCU)	

SPECIFICATION DRAWING:



BRASS LUXURY GRAB BARS			
PART. #	DESCRIPTION	A	B
G71-12-XX	12" GRAB BAR	12"	14 1/4"
G71-16-XX	16" GRAB BAR	16"	18 1/4"
G71-18-XX	18" GRAB BAR	18"	20 1/4"
G71-24-XX	24" GRAB BAR	24"	26 1/4"
G71-32-XX	32" GRAB BAR	32"	34 1/4"
<i>*NOTE: GRAB BARS OVER 32" REQUIRE A MIDDLE POST</i>			
G71-36-XX	36" GRAB BAR	36"	38 1/4"
G71-42-XX	42" GRAB BAR	42"	44 1/4"
G71-48-XX	48" GRAB BAR	48"	50 1/4"
G71-60-XX	60" GRAB BAR	60"	62 1/4"