

# Quarter Turn Angle Pattern 1/2" Copper (Sweat Fit) x 3/8" O.D. Faucet Supply Kit with Square Lever Handle, 20" Supply Tubes & Bell Escutcheons

**Model #: 629-6-62-**



## FEATURES:

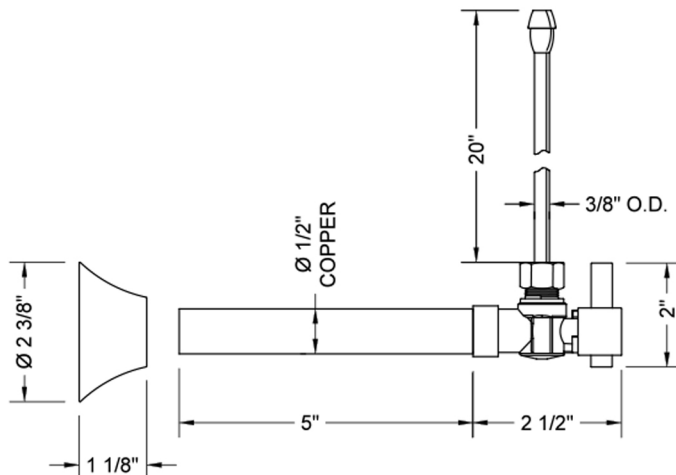
- Complete Faucet Supply Kit
- Kit contains:
  - (2) Quarter Turn Angle Pattern 1/2" Copper (Sweat Fit) x 3/8" O.D. Supply Valve with Square Lever Handle P/N 629-6
  - (2) 20" Copper Supply Tubes P/N 662
  - (2) Bell Escutcheons P/N 7116

## AVAILABLE FINISHES:

Polished Chrome (PCH)	Satin Chrome (SC)	Bronze Umber (BU)
Satin Nickel (SN)	Pewter (PEW)	Caramel Bronze (CB)
Polished Nickel (PN)	Antique Brass (AB)	Antique Copper (ACU)
Oil-Rubbed Bronze (ORB)	Polished Brass (PB)	Polished Copper (PCU)
Vintage Bronze (VB)	Satin Brass (SB)	Matte Black (MBK)
Satin Gold (SG)	Polished Gold (PG)	Black Nickel (BKN)
Bombay Gold (BG)	Jewelers Gold (JG)	Europa Bronze (EB)
White (WH)	Sedona Beige (SDB)	Tristan Brass (TB)
Satin Copper (SCU)		

## SPECIFICATION DRAWING:

COMPONENTS	
DESCRIPTION	QTY:
ANGLE VALVE - SQUARE LEVER HANDLE	2
3/8" O.D. SUPPLY TUBE	2
ESCUTCHEON	2



## AVAILABLE HANDLES:

