

Quarter Turn Angle Pattern 5/8" O.D. Compression (Fits 1/2" Copper) x 3/8" O.D. Faucet Supply Kit with Square Handle, 20" Supply Tubes, Cover Tube, Escutcheons
Model #: 621-7-62CT-



FEATURES:

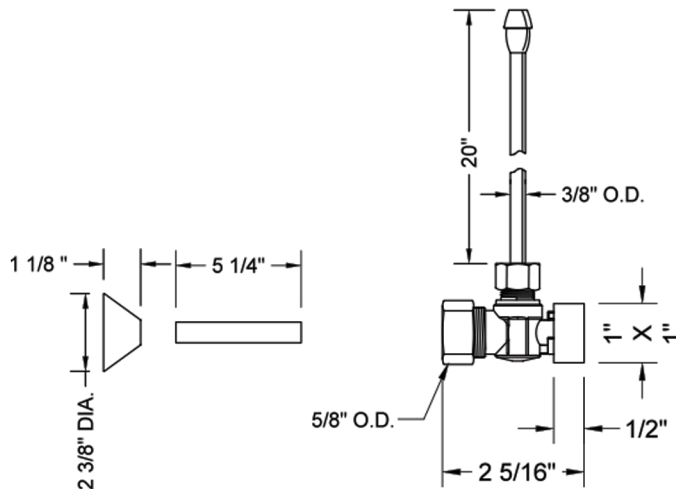
- Complete Faucet Supply Kit
- Kit contains:
 - (2) Quarter Turn Angle Pattern 5/8" O.D. Compression (Fits 1/2" Copper) x 3/8" O.D. Supply Valve with Square Handle P/N 621-7
 - (2) 20" Copper Supply Tubes P/N 662
 - (2) Bell Escutcheons P/N 7116
 - (2) Cover Tubes P/N 579

AVAILABLE FINISHES:

Polished Chrome (PCH)	Satin Chrome (SC)	Bronze Umber (BU)
Satin Nickel (SN)	Pewter (PEW)	Caramel Bronze (CB)
Polished Nickel (PN)	Antique Brass (AB)	Antique Copper (ACU)
Oil-Rubbed Bronze (ORB)	Polished Brass (PB)	Polished Copper (PCU)
Vintage Bronze (VB)	Satin Brass (SB)	Matte Black (MBK)
Satin Gold (SG)	Polished Gold (PG)	Black Nickel (BKN)
Bombay Gold (BG)	Jewelers Gold (JG)	Europa Bronze (EB)
White (WH)	Sedona Beige (SDB)	Tristan Brass (TB)
Unlacquered Brass (ULB)	Satin Cooper (SCU)	

SPECIFICATION DRAWING:

COMPONENTS	
DESCRIPTION	QTY:
ANGLE VALVE - SQUARE HANDLE	2
3/8" O.D. SUPPLY TUBE	2
2 3/8" BELL ESCUTCHEON	2
5 1/4" COVER TUBE	2



AVAILABLE HANDLES:

