

Quarter Turn Angle Pattern 5/8" O.D. Compression (FITS 1/2" Copper) x 3/8" O.D. Supply Valve with Contempo Cross Handle



Model #: 621-4-

FEATURES:

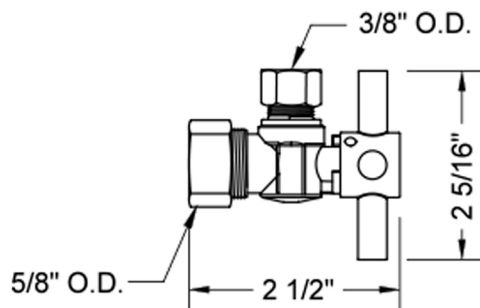
- Angle pattern 5/8" O.D. compression fit x 3/8" O.D. quarter turn ball valve
- 5/8" O.D. compression inlet x 3/8" O.D. outlet
- 5/8" O.D. compression fits 1/2" copper tubing
- All brass body and stem



AVAILABLE FINISHES:

| | | |
|-------------------------|---------------------|-----------------------|
| Polished Chrome (PCH) | Satin Chrome (SC) | Bronze Umber (BU) |
| Satin Nickel (SN) | Pewter (PEW) | Caramel Bronze (CB) |
| Polished Nickel (PN) | Antique Brass (AB) | Antique Copper (ACU) |
| Oil-Rubbed Bronze (ORB) | Polished Brass (PB) | Polished Copper (PCU) |
| Vintage Bronze (VB) | Satin Brass (SB) | Matte Black (MBK) |
| Satin Gold (SG) | Polished Gold (PG) | Black Nickel (BKN) |
| Bombay Gold (BG) | Jewelers Gold (JG) | Europa Bronze (EB) |
| White (WH) | Sedona Beige (SDB) | Tristan Brass (TB) |
| Unlacquered Brass (ULB) | Satin Cooper (SCU) | |

SPECIFICATION DRAWING:



AVAILABLE HANDLES:



COMPLIANCES:

Complies with: ASME A112.18.1-2012/CSA B125.1-12