

## Round Escutcheon

**Model #: 6006-**

### FEATURES:

- 2 1/4" Diameter brass escutcheon
- Supplied with one O-ring to fit: -1/2" showerarms
- Decorative design

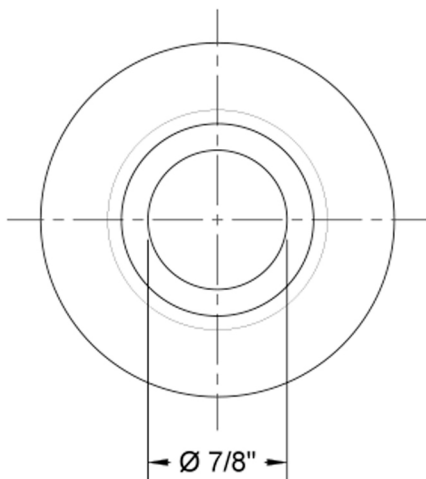


### AVAILABLE FINISHES:

|                         |                     |                       |
|-------------------------|---------------------|-----------------------|
| Polished Chrome (PCH)   | Satin Chrome (SC)   | Bronze Umber (BU)     |
| Satin Nickel (SN)       | Pewter (PEW)        | Caramel Bronze (CB)   |
| Polished Nickel (PN)    | Antique Brass (AB)  | Antique Copper (ACU)  |
| Oil-Rubbed Bronze (ORB) | Polished Brass (PB) | Polished Copper (PCU) |
| Vintage Bronze (VB)     | Satin Brass (SB)    | Matte Black (MBK)     |
| Satin Gold (SG)         | Polished Gold (PG)  | Black Nickel (BKN)    |
| Bombay Gold (BG)        | Jewelers Gold (JG)  | Europa Bronze (EB)    |
| White (WH)              | Sedona Beige (SDB)  | Tristan Brass (TB)    |
| Unlacquered Brass (ULB) | Satin Cooper (SCU)  |                       |

### SPECIFICATION DRAWING:

FRONT VIEW



FRONT VIEW

