

## 32" zeroEDGE Side Outlet Channel Drain Body

Model #: 85232-

### FEATURES:

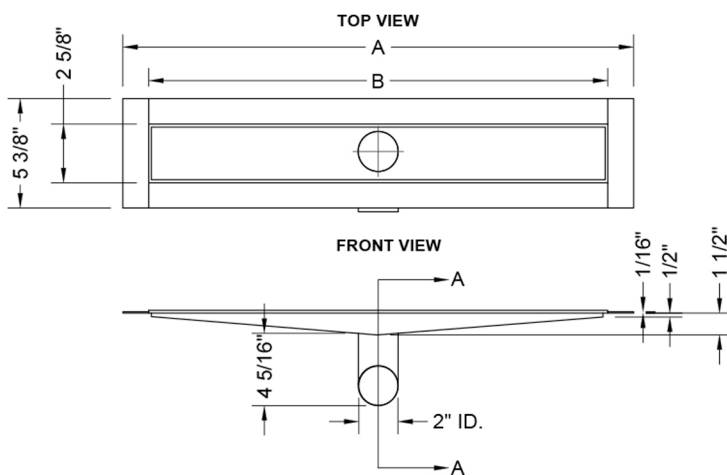
- 304 stainless steel construction
- 2" side outlet
- Nominal Size: 32"
- No sub drain required
- Easy install design
- Available in BSS ONLY, as body is not visible
- JACLO grates sold separately



### AVAILABLE FINISHES:

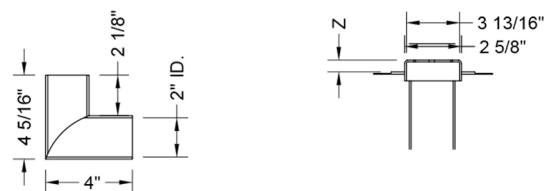
Brushed Stainless (BSS)

### SPECIFICATION DRAWING:



| BOTTOM OUTLET SHOWER CHANNEL BODY ONLY |                   |           |         | TILE HEIGHT ABOVE FLANGE<br>(Grate Height) |           |
|--|-------------------|-----------|---------|--|-----------|
| PART. #                                | DESCRIPTION       | A         | B       | Z<br>Min.                                  | Z<br>Max. |
| 85224-xxx                              | 24" BOTTOM OUTLET | 25 1/8"   | 22 3/8" | 9/16"                                      | 1"        |
| 85232-xxx                              | 32" BOTTOM OUTLET | 33"       | 30 1/4" | 9/16"                                      | 1"        |
| 85236-xxx                              | 36" BOTTOM OUTLET | 36 15/16" | 34 1/4" | 11/16"                                     | 1 1/8"    |
| 85242-xxx                              | 42" BOTTOM OUTLET | 44 13/16" | 42 1/8" | 9/16"                                      | 1"        |
| 85248-xxx                              | 48" BOTTOM OUTLET | 48 3/4"   | 46"     | 9/16"                                      | 1"        |
| 85260-xxx                              | 60" BOTTOM OUTLET | 60 9/16"  | 57 1/8" | 5/8"                                       | 1 1/16"   |

### DETAIL A



### COMPLIANCES:

Complies with: ASME A112.18.2-2015/CSA B125.2-15