

INSTALLATION INSTRUCTIONS

Contempo Round Trim For J-COM-CSV

Part #B426 TRIM



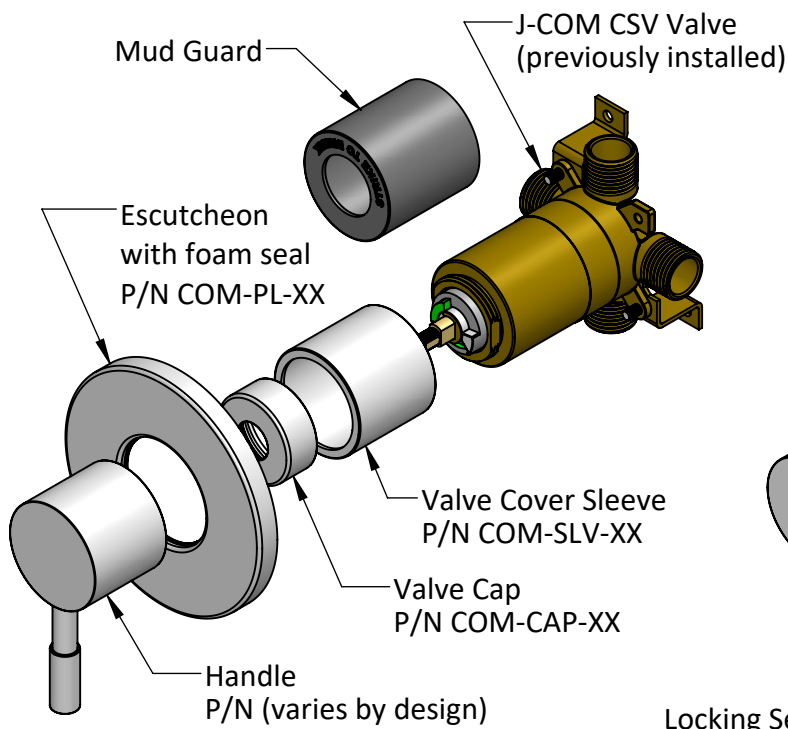
Materials provided:

Trim components shown below
1 Pkg. Installation hardware

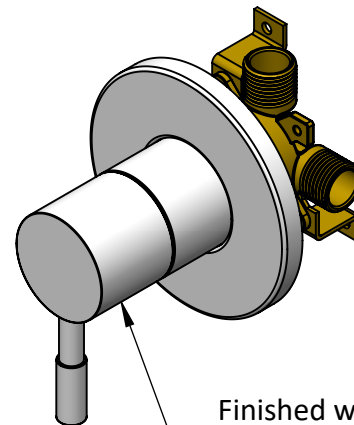


Recommended tools:

3/32" Hex L-Key (Allen Wrench)
Strapwrench

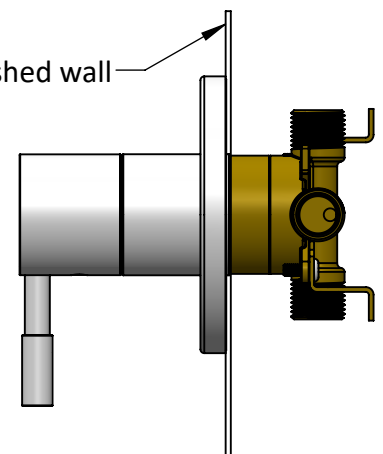


Component Detail



Finished wall
Locking Set Screw
access is underneath

As Installed



Step 1: Tap (or strike lightly to break free) the black Mud Guard, remove and dispose.

Step 2: Slide the Valve Cover Sleeve onto the valve until seated properly. Then thread the Valve Cap on tightly to secure the Valve.

Step 3: Slide the Escutcheon over the Sleeve until firmly pressed against the finished wall.

Step 4: Attach the Handle, then tighten the Handle locking set screw to the Valve Stem.
(Note: the set screw access is underneath the body of the handle).