

# INSTALLATION INSTRUCTIONS

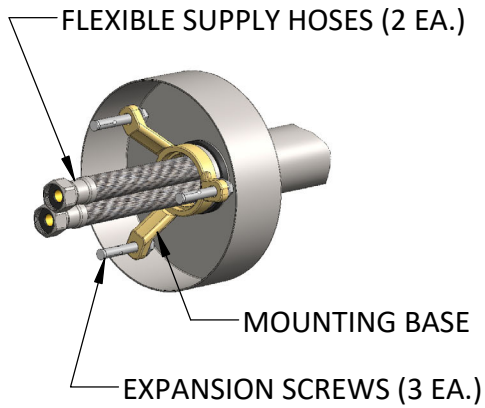
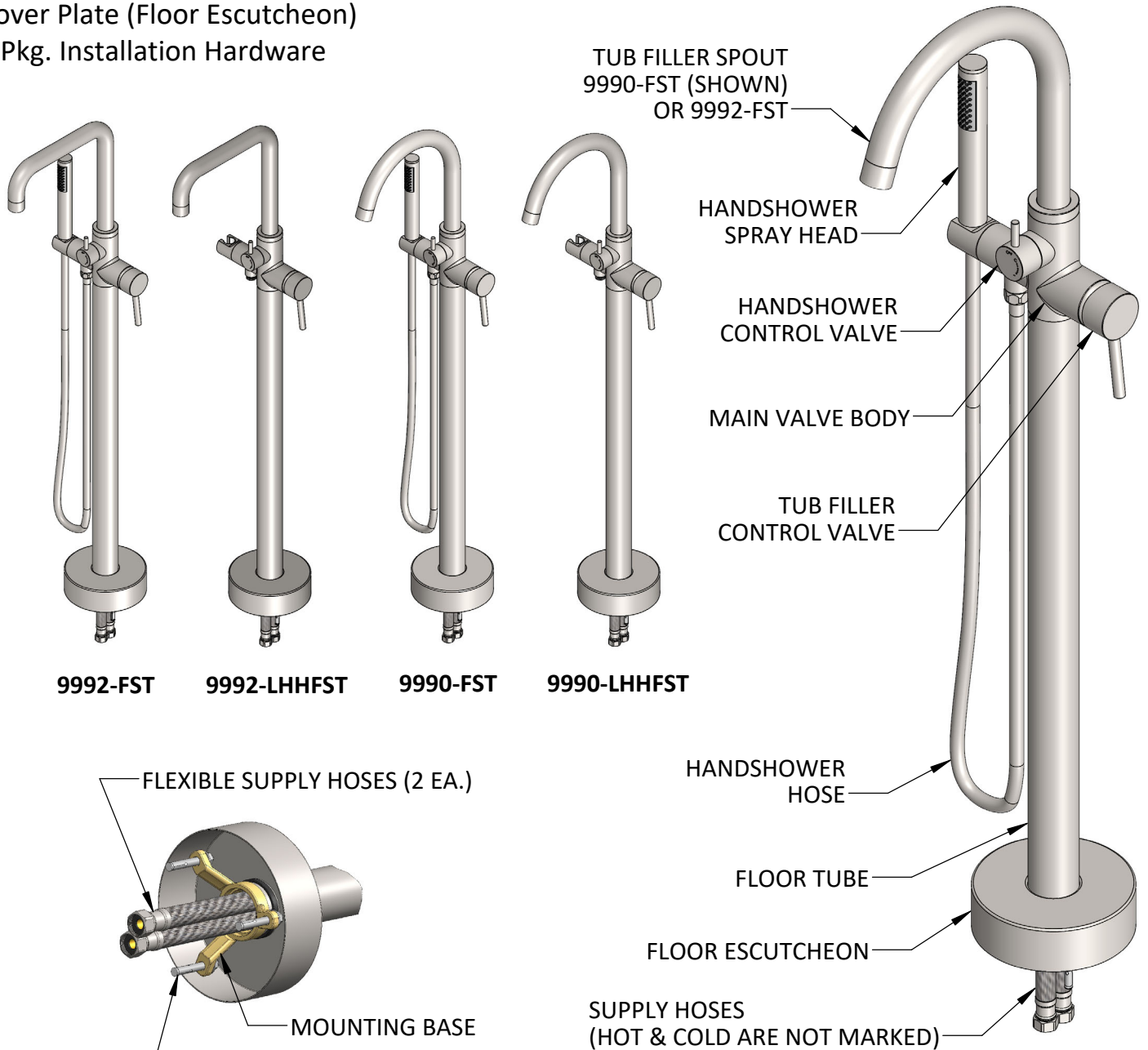
## Freestanding Tub Filler Sets

Part #9990-FST, 9990-LHHFST, 9992-FST, 9992-LHHFST



### Materials provided:

- Freestanding Tub Filler Faucet
- Handshower & Hose (included on the 9990-FST & 9992-FST only)
- Cover Plate (Floor Escutcheon)
- 1 Pkg. Installation Hardware



### Component Identification

# INSTALLATION INSTRUCTIONS

## Freestanding Tub Filler Sets

Part #9990-FST, 9990-LHHFST, 9992-FST, 9992-LHHFST

# JACLO®

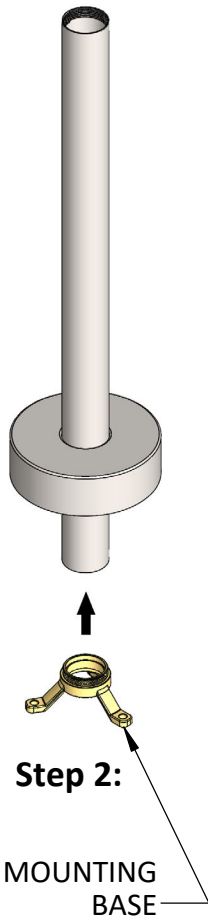
Confidence from start to finish.™

FLOOR TUBE



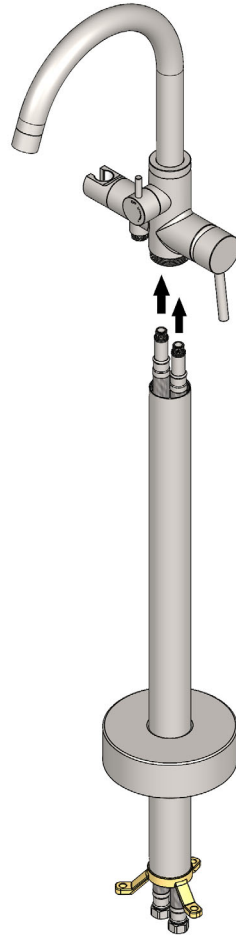
**Step 1:**

FLOOR  
ESCUTCHEON



**Step 2:**

MOUNTING  
BASE



**Step 3:**

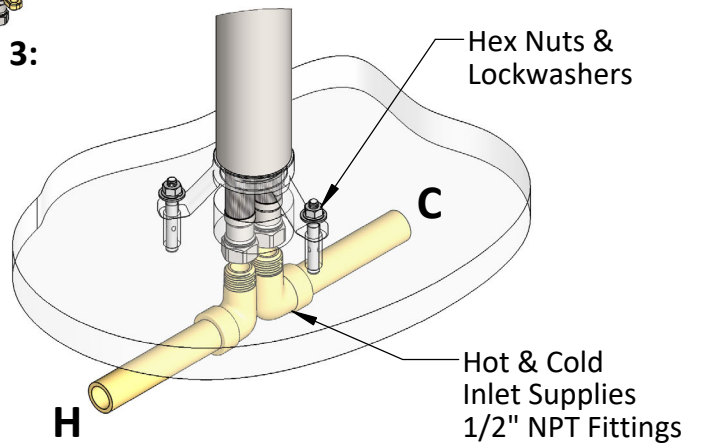
TUB FILLER SPOUT  
9990-FST OR  
9992-FST

HANDSHOWER CONTROL  
(TEMPERATURE & FLOW)

TUB FILLER CONTROL  
(TEMPERATURE & FLOW)

FLOOR TUBE

**Step 4:**



**Steps 5, 6 & 7:**

**See page #3 for step by step detailed instructions:**

# INSTALLATION INSTRUCTIONS

## Freestanding Tub Filler Sets

Part #9990-FST, 9990-LHHFST, 9992-FST, 9992-LHHFST



**Note:** The hole size in floor should be a minimum 2" diameter and maximum 4" diameter.

**Step 1:** Use Mounting Base as template for hole size. Prepare plumbing in floor (**see Steps 5 & 6**) ensure a minimum of 1" between fittings as you will need to use 7/8" open end wrench or a basin wrench to tighten supply lines to the fittings, using appropriate sealant.

*Note: Preparation, treat this tub filler like a faucet installation, whereas separate hot and cold shut-offs are recommended to be installed up line from the 1/2" NPT fittings.*

*Note: Once assembled, the supply hoses protrude from the bottom of mounting base approximately 4 1/2"* Slide the Floor Escutcheon onto the Floor Tube.

**Step 2:** Thread the Mounting Base onto the Floor Tube.

**Step 3:** Thread the hot and cold Supply Hoses up from bottom of the Floor Tube.

*Note: Make the cold connection first, and mark the bottom of the hose for identification for Step 6.*

**Step 4:** Thread the Floor Tube up and into the Valve Body.

**Step 5:** Placing entire unit over the hole, mark the Mounting Base holes.

*Note: If using the fasteners provided, drill 5/16" holes, a 3/8" socket is recommended for securing the nuts.*

**Step 6:** Attach hoses to the fittings.

**Step 7:** Secure the Mounting Base to the floor, then slide Floor Escutcheon down flush to the floor surface.

**IMPORTANT:** When the installation is complete, remove Handshower Spray Head and Tub Filler Spout Aerator, then flush system to avoid any waterway or control valve restrictions.