

# INSTALLATION INSTRUCTIONS

**Cranford Widespread Faucet**  
Part #: 5460-\*\*\*\*

**JACLO**<sup>®</sup>  
Confidence from start to finish.™



## HANDLE STYLES



T677



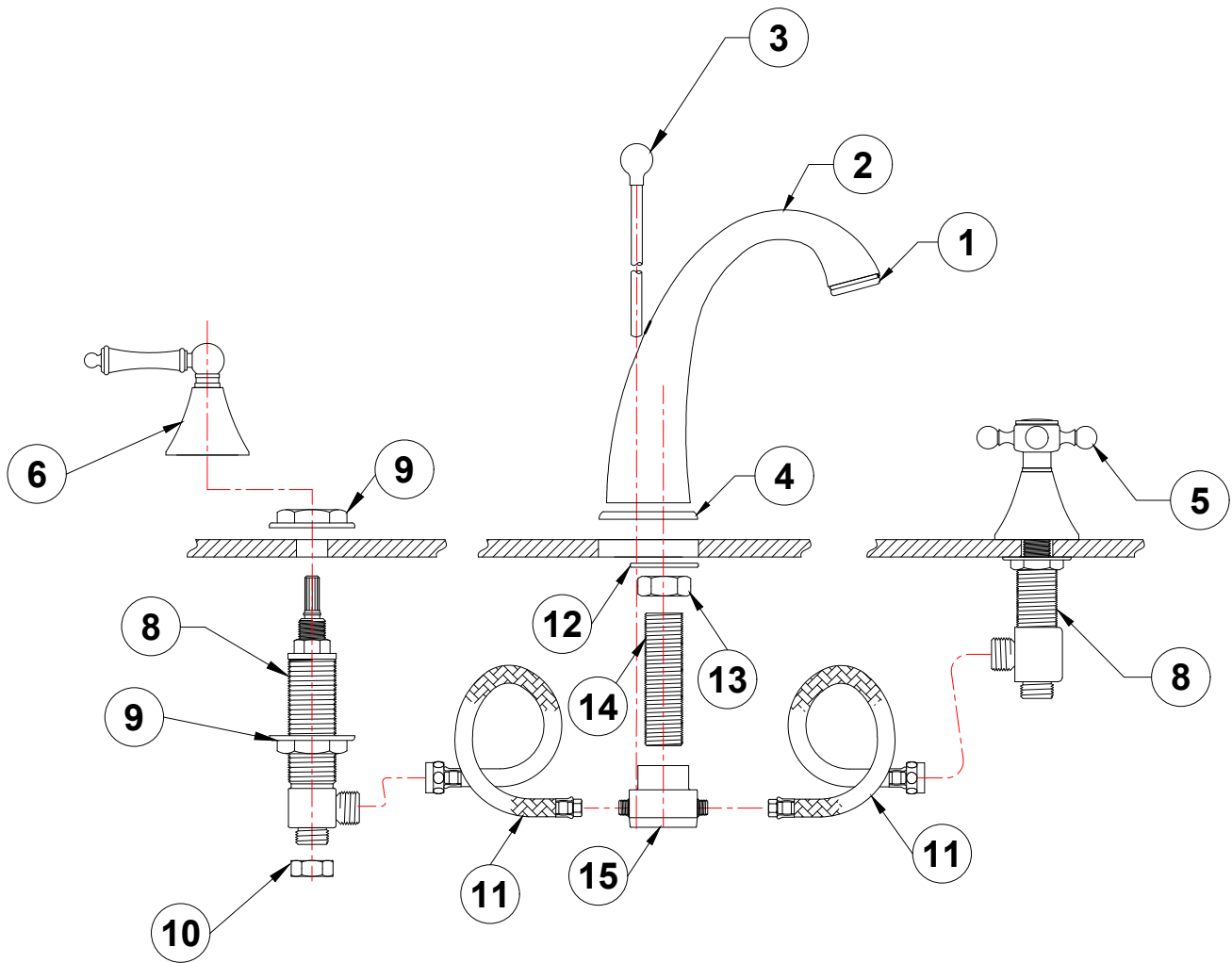
T646



T639



T647



**COMPONENT PARTS**

1	Aerator - FCT-AER-**
2	Spout - 901W-SPOUT-**
3	Pop-Up Rod Assembly - 901W-ROD-**
4	Flange - PART OF SPOUT
5	Handle (2) - VARIES ON MODEL
6	Valve Escutcheon - B-06-**
7	Valve Body Hot - 11832-0
8	Valve Body Cold - 11833-0
9	Valve Body Nut (4)
10	Nut (2) - A438-0
11	Hose (2) - 5130-RGH
12	Washer - PART OF SPOUT
13	Brass Nut - PART OF SPOUT
14	Brass Nipple - PART OF SPOUT
15	Brass Tee - PART OF SPOUT

## Spout Installation

(Refer to Figure 1 & 2)

**Note: Some items have been pre-assembled at the factory to ensure quality and fit. Some disassembly may be required during installation.**

1. Remove tee (15), metal spout washer (12), and spout nut (13) from spout nipple (14).
2. Slide spout flange (4) over spout nipple (14) on bottom of spout
3. Drop the spout assembly through top of sink basin or countertop.
4. Slide metal washer (12) up from the bottom of sink with pop-up rod cutout facing rear. Hand tighten spout nut (13) onto sink basin or countertop.
5. Screw tee (15) onto end of spout nipple (14) using NSF listed joint compound. \*Note: tee (15) outlet ports should be at 9 & 3 o'clock
6. Drop pop-up rod (3) through top hole of spout (2). Adjust if necessary.
7. Tighten spout nut, securing it to bottom of sink basin or countertop.

FIGURE 1

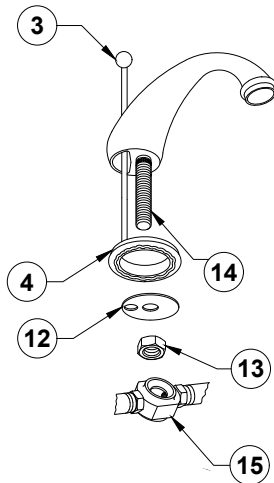
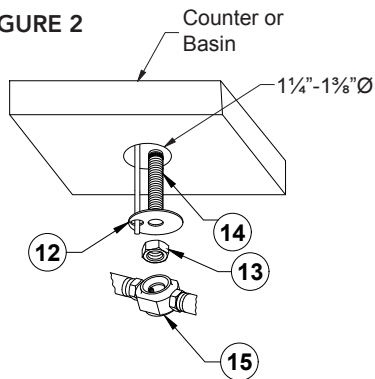


FIGURE 2



## Valve Installation

(Refer to Figure 3, 4, & 5)

1. Identify hot and cold valve. Hot has a red sticker and cold has a blue sticker.
2. Install hot valve on left side of spout as you are facing the sink.
3. Remove handle (5), escutcheon (6), top nut (9), and fiber washer from valve body (7 & 8).
4. Install valve (7 & 8) through bottom of sink basin or countertop, loosening the bottom nut (9).
5. Screw top valve body nut (9) on top of valve body (7 & 8).
6. Using **Figure 5**, adjust height for handle selected using "A" dimension.
7. Screw on escutcheon (6) onto valve body (7 & 8)
8. Place handle (5) on stem, testing on/off position. Tighten handle using handle installation. **Figure 6** (see next page)
9. Tighten bottom valve nut (9) securely onto bottom of sink basin or countertop.
10. Repeat for cold valve on right side. \*Note: Out ports of both hot and cold valve bodies (7 & 8) should be facing spout.

FIGURE 3

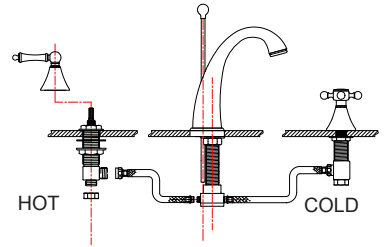
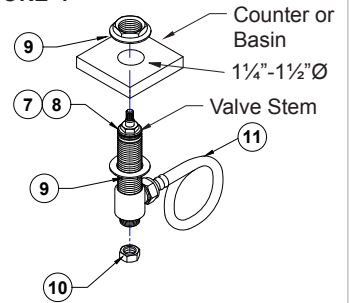


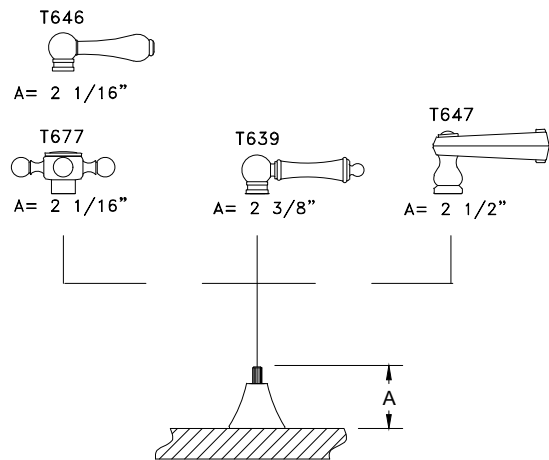
FIGURE 4



## Hose Installation

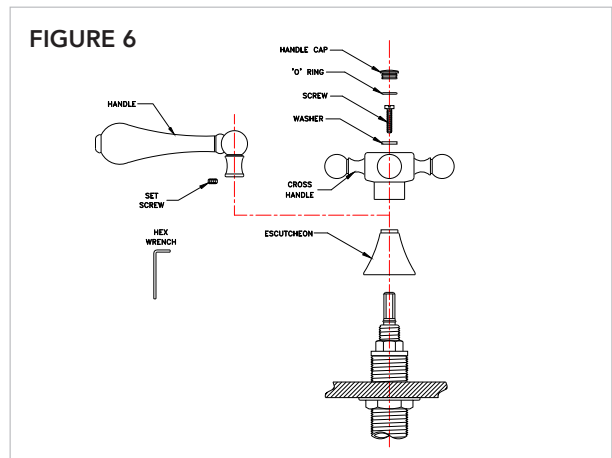
1. Connect hose (11) to hot valve body outlet and tee (15). 3/8" end to tee (15) and 1/2" end to side port of valve body (7 & 8).

FIGURE 5



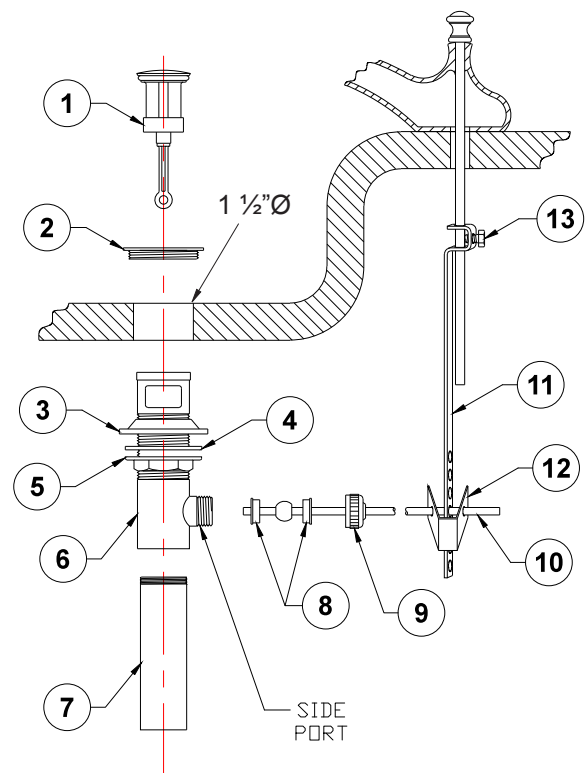
## Handle Installation

1. Install handle onto stem in desired "off" position.
2. Confirm handle is not binding with escutcheon. Adjust if necessary.
3. Handles are fastened with a set screw or top screw.
4. If set screw type: screw, tighten then press in decorative cap with o-ring.
5. If top screw type: screw, tighten then press in decorative cap with o-ring.



## Drain Assembly

1. Disassemble top flange (2) and drain stopper (1) from pop-up drain body (6).
2. Loosen mounting nut (5) for desired height.  
\*Note: This may vary depending on thickness of sink basin or countertop.\*
3. Apply appropriate silicon/putty under lip of top flange (2).
4. From underneath, insert drain body (6) through sink basin or countertop and attach top flange (2).
5. Guide sink gasket (3) & plastic washer (4) up snug to bottom of sink basin or countertop.
6. Test the length needed for drain stopper (1) by adjusting height of eyelet so it is visible from side port of ball rod.
7. Align top flange (2) & drain body (6) & tighten nut (5) securely.
8. Test alignment using ball rod (10) without ball rod seats (8) to ensure it goes through eyelet of drain stopper (1).
9. Adjust length of drain stopper (1) (if required) by loosening the nut & eyelet to desired height. Then secure back up to bottom of drain stopper (1).
10. Put one ball rod seat (8) before ball in ball rod (10) concave side toward ball. Push through side port making sure the ball rod (10) goes through drain stopper (1) eyelet. Put second seat (8) on +to other side of ball rod (10) & attach ball rod nut (9). Do not over tighten.
11. Pushing ball rod (10) down to raise drain stopper (1) in sink. Test & adjust if necessary.
12. Attach lift rod strap (11) to pop-up rod.
13. Push down on ball rod (10) putting one end of spring clip (12) on, then put through appropriate hole in lift rod strap (11). Attach other end of spring clip (12) & test.
14. Attach tailpiece (7) to drain body (6) using pipe thread sealing tape on threads.



COMPONENT PARTS	
1	Drain Stopper
2	Top Flange
3	Sink Gasket
4	Plastic Washer
5	Mounting Nut
6	Drain Body
7	Tailpiece
8	Ball Rod Seat
9	Ball Rod Nut
10	Ball Rod
11	Lift Rod Strap
12	Spring Clip
13	Lift Rod Strap Screw

# Over Fifty Years of Excellence Proud to be an American Company



## CARE INSTRUCTIONS

In order to maintain the high quality finish of JACLO products, please adhere to the following product care instructions:

**Cleaning JACLO products:** For routine cleaning, simply use a soft damp cloth and common household soap, then rinse and dry. Proper care of your product is important because most water contains calcium that deposits on surfaces, forming unpleasant spots. This can be avoided by routine cleaning and drying after every use. Use only mild soap detergents. JACLO products may be periodically waxed with non abrasive compounds, such as Flitz® faucet wax.

Never use abrasive cleaners, bleach, disinfectants or cleaning products containing alcohol, ammonia, hydrochloric or phosphoric acids as they will damage the product finish.

**Please note:** Your product warranty may not be valid if the above cleaning guidelines are not followed.

## WARRANTY

**Residential Warranty:** Your new plumbing fixture is warranted by JACLO INDUSTRIES, 129 Dermody Street, Cranford, NJ 07016. This warranty is extended to original consumer purchasers only. This warranty gives you specific legal rights, and you may also have other rights which vary from state to state.

The product (including the finish on the product but excluding any custom finishes and any installation hardware not supplied by JACLO) is warranted to be free from defects in material or workmanship under normal use and service for the lifetime\* of the fixture, so long as the original consumer purchaser owns it. JACLO's sole obligation under this or any other warranty is limited to repairing or replacing at JACLO's option, without labor, any part or parts of the fixture which fail to conform to such warranty.

### JACLO WILL NOT BE LIABLE FOR ANY CONSEQUENTIAL OR INCIDENTAL DAMAGES CAUSED BY A BREACH OF THIS OR ANY OTHER WARRANTY.

Some states do not allow the exclusion of limitation of incidental or consequential damages, so the above limitation may not apply to you.

To secure warranty performance, the original consumer purchaser must have the fixture properly and professionally installed in accordance with all codes and installation instructions.

Items and actions that will void the JACLO warranty are:

- Abuse, misuse, neglect and accidental damage
- Improper cleaning, care and maintenance of the fixture
- Alteration of the fixture in any way including removal of a flow regulator/restrictor

All warranty claims must be made in accordance with the JACLO return policy (see below).

JACLO does not authorize any distributor, retailer or other person to modify this warranty or assume any liability on its behalf with respect to it. Any question regarding the operation of warranty should be addressed to JACLO's warranty department.

\*Due to the unpredictable environment, all kitchen drains, strainers and garbage disposal flanges are warranted for the period of one year from date of purchase from an authorized JACLO dealer.

Un-lacquered Brass (ULB) is a living finish and is excluded from any finish warranty.

**Commercial Warranty:** JACLO offers the above warranty for a period of one year from date of purchase to purchasers of products for industrial, commercial, business and all non-private residential uses.

