

INSTALLATION INSTRUCTIONS

Lila Faucet T160 (cross handles) & T161 (lever handles)

Part #5150-T160, 5150-T161

JACLO®

Confidence from start to finish.™

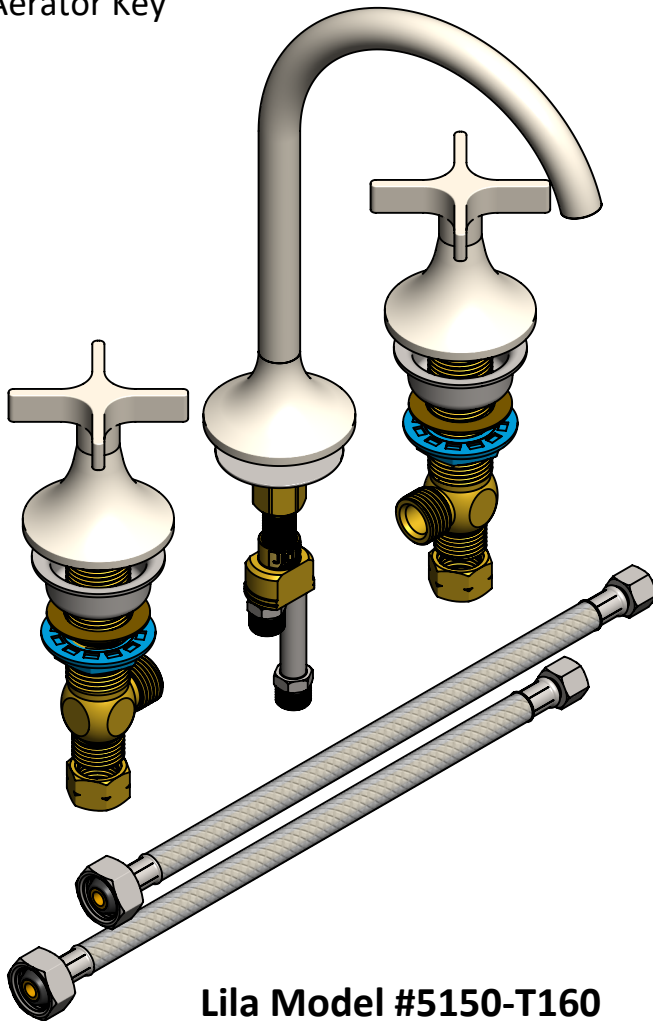
Materials provided:

- Spout & Spout Escutcheon
- Spout Valve Body
- Handle & Handle Escutcheons (2ea.)
- Handle Valve Body (2ea.)
- Flexible Braided Supply Hoses (2ea.)
- Installation Hardware
- 2mm Hex Key
- Aerator Key

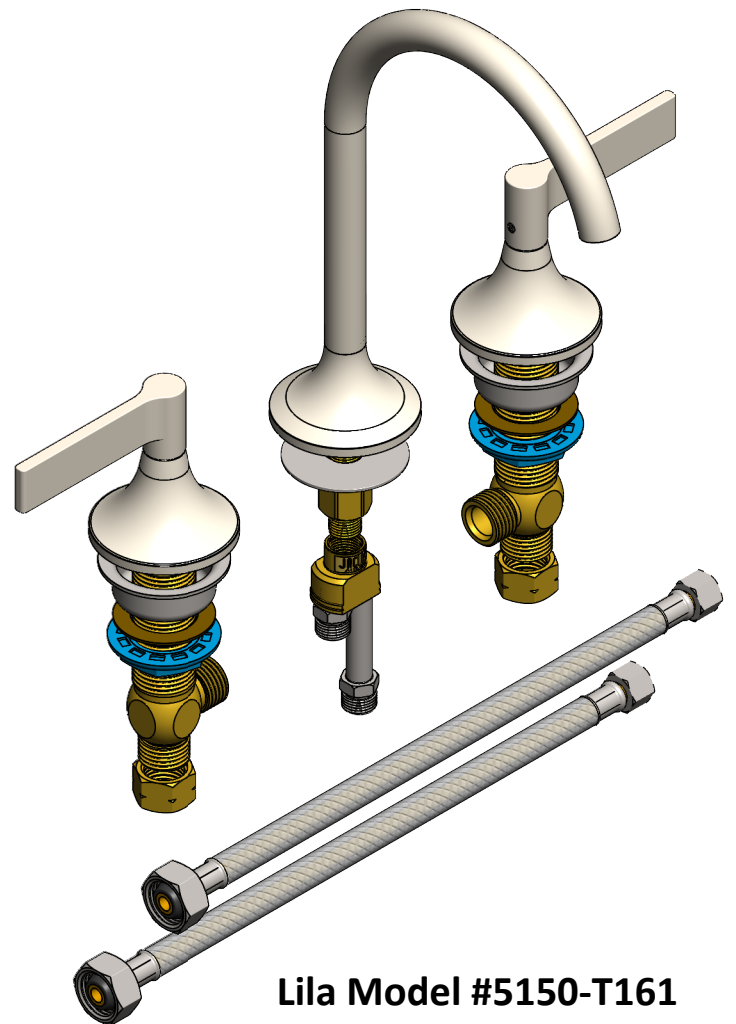


Recommended tools:

- Adjustable Wrench
- Phillips Screwdriver
- Plumbers Putty
- Pipe Tape



Lila Model #5150-T160



Lila Model #5150-T161

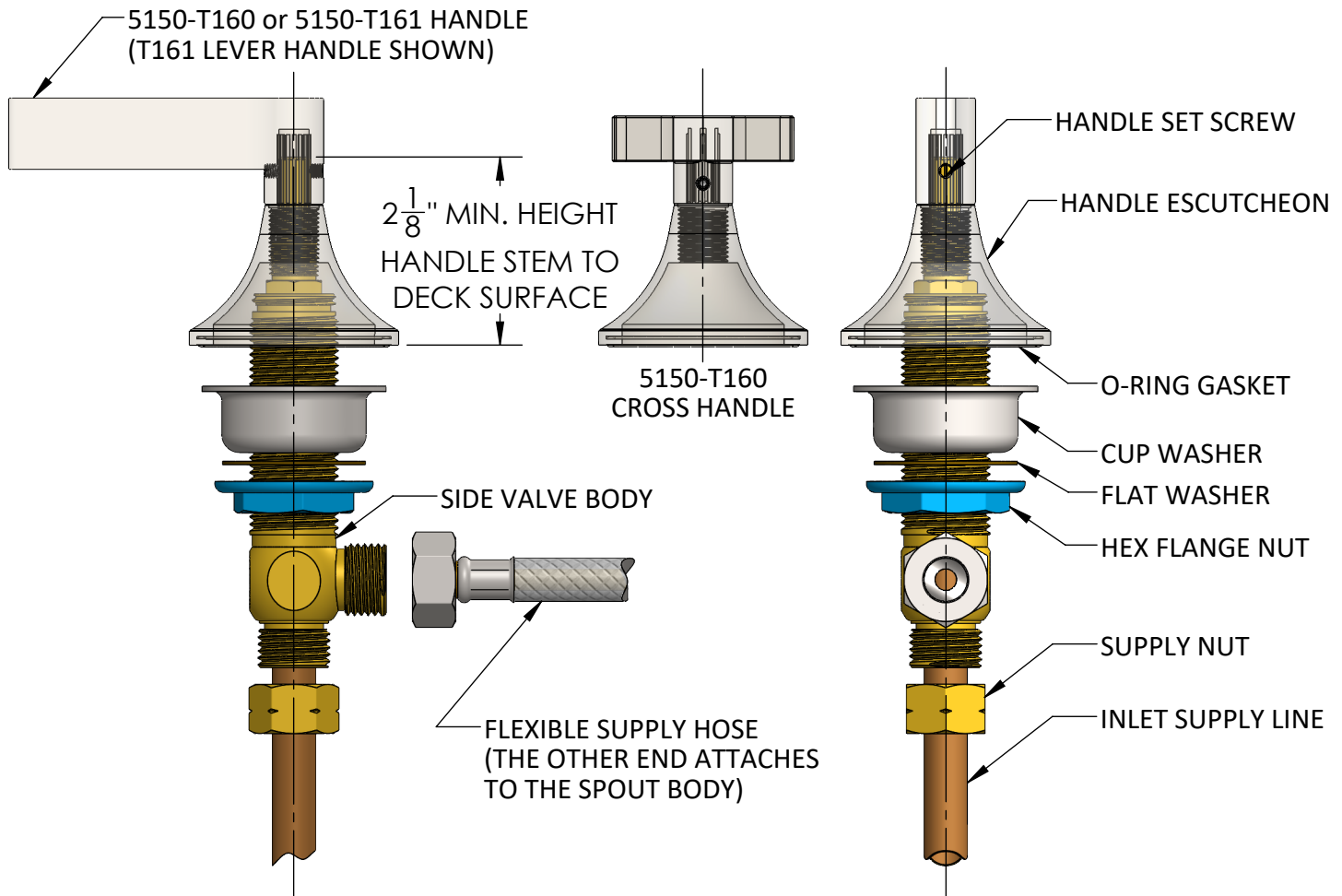
The JACLO Lila Faucets are supplied with all the necessary underdeck fittings, two 12" flexible braided supply hoses, and hardware for a complete installation.

INSTALLATION INSTRUCTIONS

Lila Faucet T160 (cross handles) & T161 (lever handles)

Part #5150-T160, 5150-T161

JACLO
Confidence from start to finish.™



SIDE VALVE (HOT & COLD), HANDLE, AND HANDLE ESCUTCHEON INSTALLATION

Step 1:

Using the washers and the hex flange nut as shown, adjust the Side Valve Body so the Valve Stem tip is at the minimum height above the deck as shown. Note: The Handle Set Screw must fully engage the spline on the Valve Stem to secure the handle properly.

Step 2:

Thread the Handle Escutcheon onto the Side Valve Body until snug against the deck surface. Then mount the Handle on the Side Valve Stem, and secure by firmly tightening the Handle Set Screw.

Step 3:

Secure the Supply Inlet piping to the bottom of the Side Valve and tighten the nut.

Step 4:

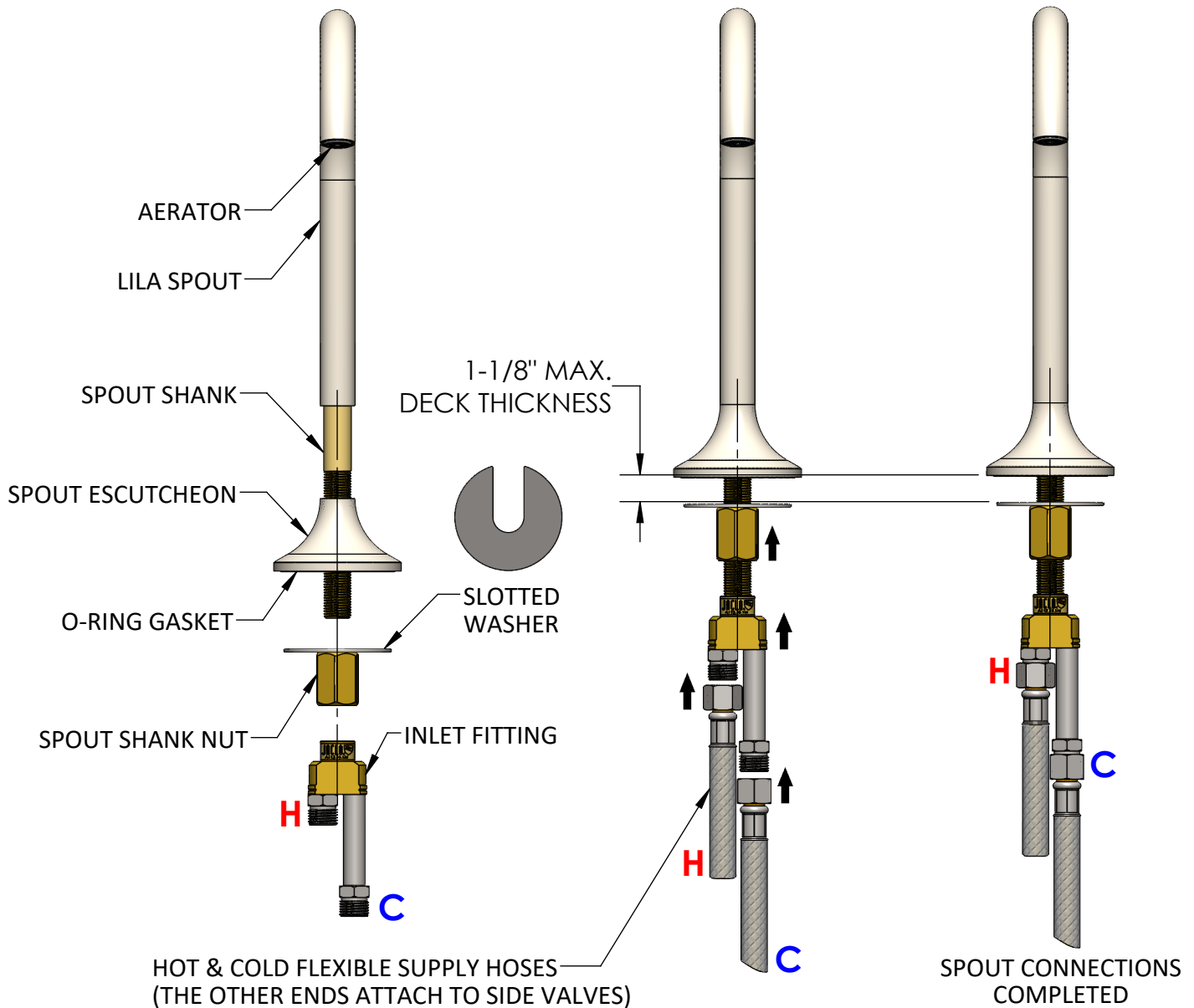
Secure a 12" Flexible Supply Hose to the outlet of the Handle Side Valve. Do not over-tighten the Hose fitting!
Note: The graphic above shows a left side (Hot) installation, reverse for the right side (Cold) installation.

INSTALLATION INSTRUCTIONS

Lila Faucet T160 (cross handles) & T161 (lever handles)

Part #5150-T160, 5150-T161

JACLO
Confidence from start to finish.™



SPOUT BODY, SPOUT ESCUTCHEON AND INLET FITTING INSTALLATION

Step 1:

Slide the Spout Escutcheon onto the Spout Shank and set in deck opening. Fit the Slotted Washer to the Spout Shank and tighten the Spout Shank Nut until secure.

Step 2:

Thread the Inlet Fitting onto the Spout Shank, using a suitable sealant or pipe tape.

Step 3:

Secure the Flexible Supply Hoses onto the hot & cold Inlet Fitting. Do not over-tighten the Hose fittings!

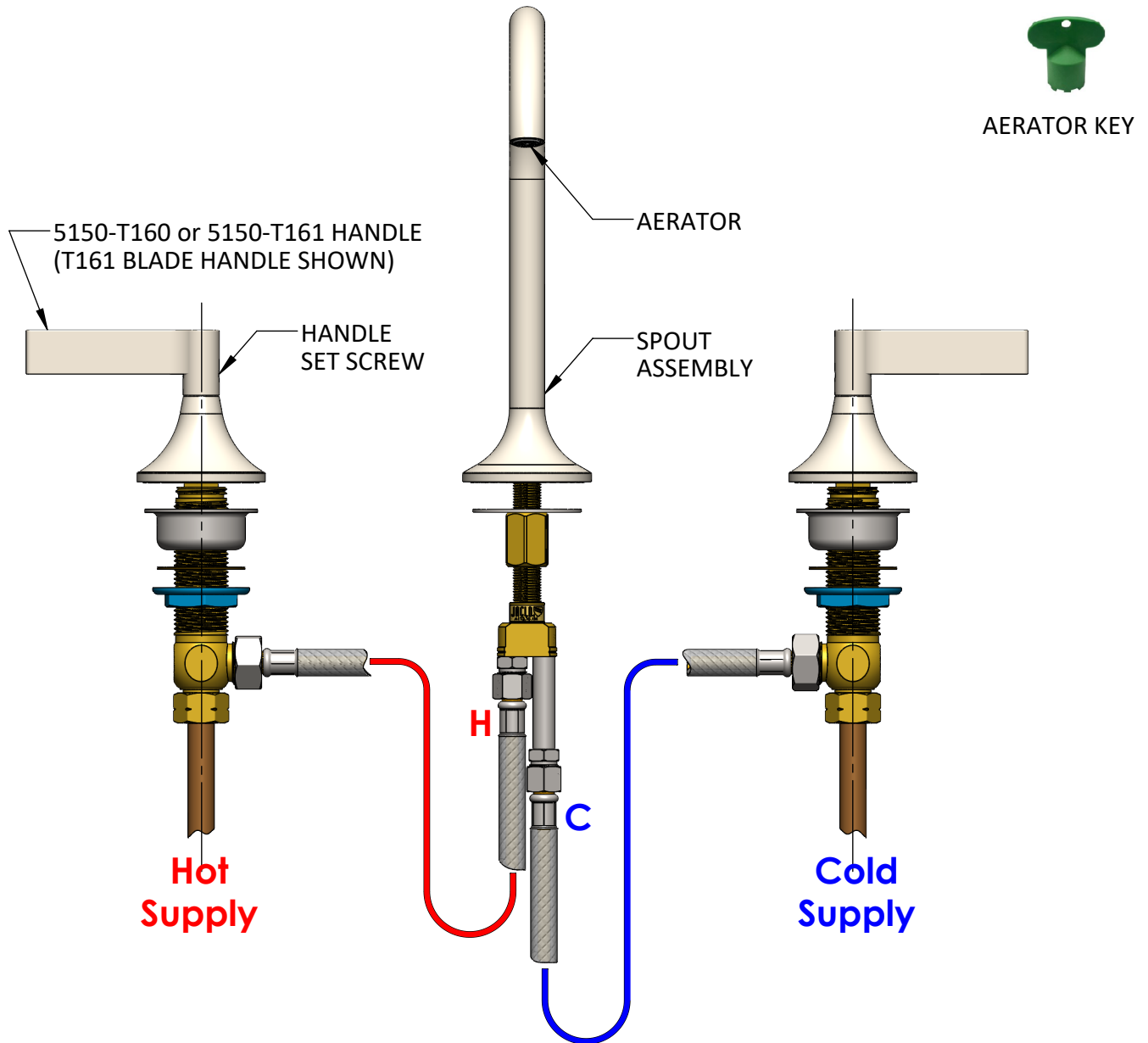
INSTALLATION INSTRUCTIONS

Lila Faucet T160 (cross handles) & T161 (lever handles)

Part #5150-T160, 5150-T161

JACLO®

Confidence from start to finish.™



The Hot & Cold Side Valves are now connected to the Spout Assembly

Step 1:

After all connections are complete, using the provided Aerator Key, remove the Spout Aerator (turn counter-clockwise) and flush both the Hot & Cold Side Valves. Then replace the Aerator (turn clockwise) and operate both valves to ensure there are no blockages or restrictions.

Step 2:

Open both valves for a few minutes, and check all connections for leaks, re-seat or adjust as necessary.

To learn more about JACLO's warranty, please visit [**jaclo.com**](http://jaclo.com)