

INSTALLATION INSTRUCTIONS

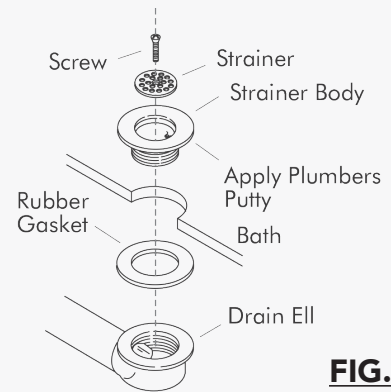
**Brass Tub Drain Fully Polished & Plated
Standing Tub Waste**
Part #: 380-

JACLO[®]
Confidence from start to finish.[®]

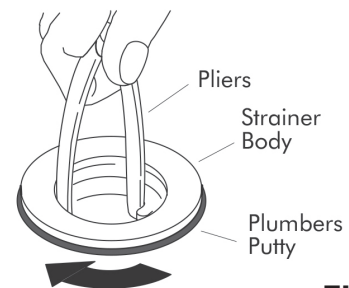


DRAIN INSTALLATION

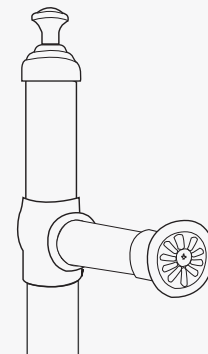
1. Remove strainer from strainer body by loosening the screw.
2. Apply appropriate sealant around the underside of the strainer body according to manufacturer's instructions.
3. Align the drain ell, and rubber gasket underneath the bath drain hole, and carefully thread strainer body into the drain ell.
4. Align the drain ell to point toward the overflow the bath.



5. Insert the handles of a pliers into the strainer body, and tighten securely. Remove excess putty.
6. Install the strainer to the strainer body by tightening the screw.



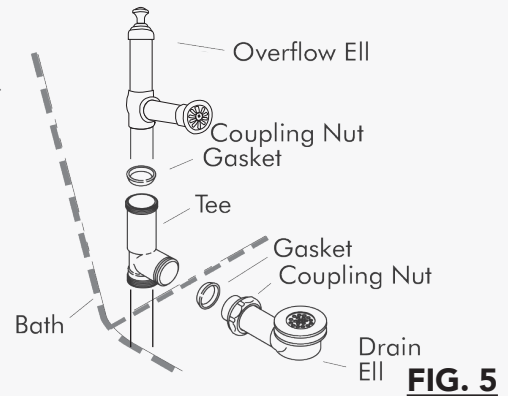
7. This is what the overflow and lift rod looks like assembled. Linkage gets screwed into bottom at lift rod.



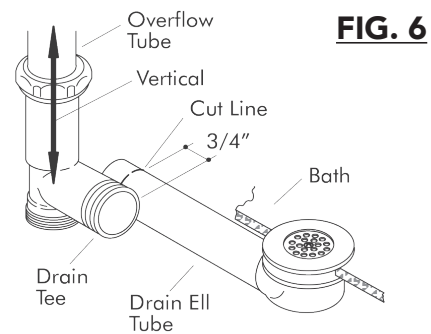
DRAIN INSTALLATION (CONT.)

- Slide the coupling nuts and gaskets onto the overflow ell and drain ell.
- Fit the overflow ell into the tee.
- Then slide the tee onto the drain ell. Hand tighten the coupling nuts to the tee.

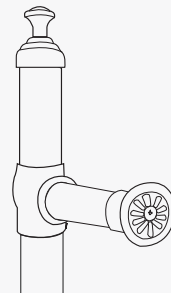
NOTE: DO NOT TIGHTEN WITH A WRENCH AT THIS TIME



- Some applications may require the drain ell tube to be cut shorter.
- For proper installation, assemble the drain to the bath.
- If the overflow tube is not vertical or pushed out, the drain ell tube is too long.
- To cut the drain ell tube to the proper length, the overflow tube must be vertical. Align the drain ell tube along side the drain tee. Mark the drain ell tube so it will engage the drain tee by at least 3/4".
- Cut the tube with a tube cutter. Remove any burrs.



- Fit the linkage and overflow hood into the overflow ell, and secure with plated screw.
- Move the lift rod to the down position.



ADJUSTING DRAIN

1. Adjust the linkage so the bottom of the plunger is approximately 1/8" below the bottom edge of the tee.
2. Adjust the linkage to the correct height by rotating the plunger from the bottom of the tee

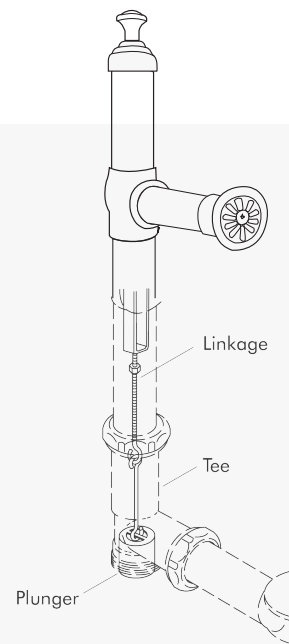


FIG. 8

3. Remove the overflow hood and linkage from the overflow ell.
4. Loosen the retainer plate, if necessary.
5. Tighten the adjustment nut against the clevis.
6. Re-install the overflow hood and linkage into the overflow ell.
7. If you loosened the retainer plate, re-tighten it at this time.
8. Secure the overflow hood with the plated screw.
9. Check the alignment of the overflow ell, tee, and drain ell.
10. Adjust as necessary. Use a wrench to tighten the coupling nuts two turns past hand tight.

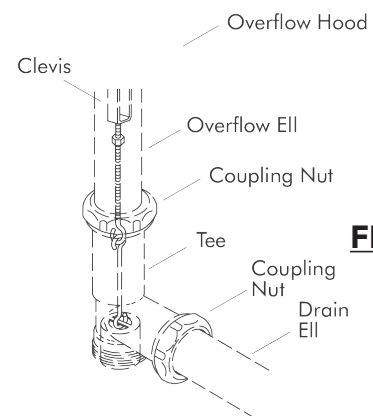


FIG. 9

11. Apply thread sealant to the tailpiece, and thread it into the tee.
12. Make your final connections, as needed.
13. With the lift rod down, fill the bath with water, and check for leaks. Verify that the overflow connections do not leak.
14. Open and close the lift rod to verify correct operation, and again inspect for leaks.

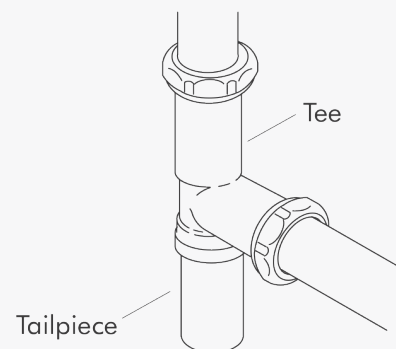


FIG. 10

Over Fifty Years of Excellence Proud to be an American Company



CARE INSTRUCTIONS

In order to maintain the high quality finish of JACLO products, please adhere to the following product care instructions:

Cleaning JACLO products: For routine cleaning, simply use a soft damp cloth and common household soap, then rinse and dry. Proper care of your product is important because most water contains calcium that deposits on surfaces, forming unpleasant spots. This can be avoided by routine cleaning and drying after every use. Use only mild soap detergents. JACLO products may be periodically waxed with non abrasive compounds, such as Flitz® faucet wax.

Never use abrasive cleaners, bleach, disinfectants or cleaning products containing alcohol, ammonia, hydrochloric or phosphoric acids as they will damage the product finish.

Please note: Your product warranty may not be valid if the above cleaning guidelines are not followed.

WARRANTY

Residential Warranty: Your new plumbing fixture is warranted by JACLO INDUSTRIES, 129 Dermody Street, Cranford, NJ 07016. This warranty is extended to original consumer purchasers only. This warranty gives you specific legal rights, and you may also have other rights which vary from state to state.

The product (including the finish on the product but excluding any custom finishes and any installation hardware not supplied by JACLO) is warranted to be free from defects in material or workmanship under normal use and service for the lifetime* of the fixture, so long as the original consumer purchaser owns it. JACLO's sole obligation under this or any other warranty is limited to repairing or replacing at JACLO's option, without labor, any part or parts of the fixture which fail to conform to such warranty.

JACLO WILL NOT BE LIABLE FOR ANY CONSEQUENTIAL OR INCIDENTAL DAMAGES CAUSED BY A BREACH OF THIS OR ANY OTHER WARRANTY.

Some states do not allow the exclusion of limitation of incidental or consequential damages, so the above limitation may not apply to you.

To secure warranty performance, the original consumer purchaser must have the fixture properly and professionally installed in accordance with all codes and installation instructions.

Items and actions that will void the JACLO warranty are:

- Abuse, misuse, neglect and accidental damage
- Improper cleaning, care and maintenance of the fixture
- Alteration of the fixture in any way including removal of a flow regulator/restrictor

All warranty claims must be made in accordance with the JACLO return policy (see below).

JACLO does not authorize any distributor, retailer or other person to modify this warranty or assume any liability on its behalf with respect to it. Any question regarding the operation of warranty should be addressed to JACLO's warranty department.

*Due to the unpredictable environment, all kitchen drains, strainers and garbage disposal flanges are warranted for the period of one year from date of purchase from an authorized JACLO dealer.

Un-lacquered Brass (ULB) is a living finish and is excluded from any finish warranty.

Commercial Warranty: JACLO offers the above warranty for a period of one year from date of purchase to purchasers of products for industrial, commercial, business and all non-private residential uses.

