

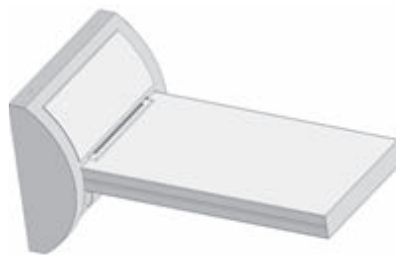
INSTALLATION INSTRUCTIONS

Aquavolo Duetto
Part #: 1728-

JACLO[®]
Confidence from start to finish.[®]



Rain Spray

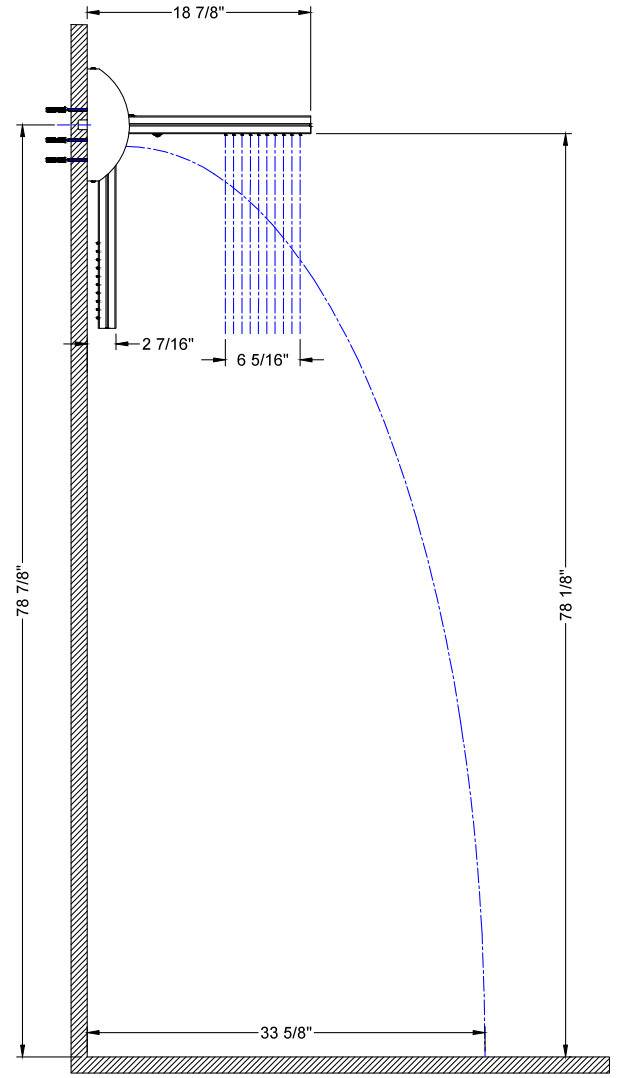
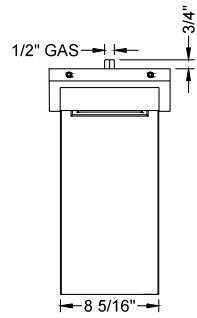
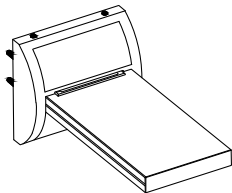
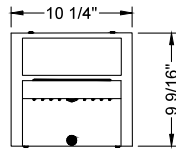
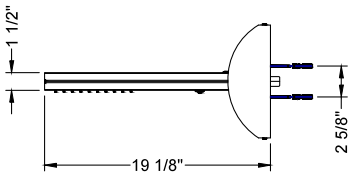
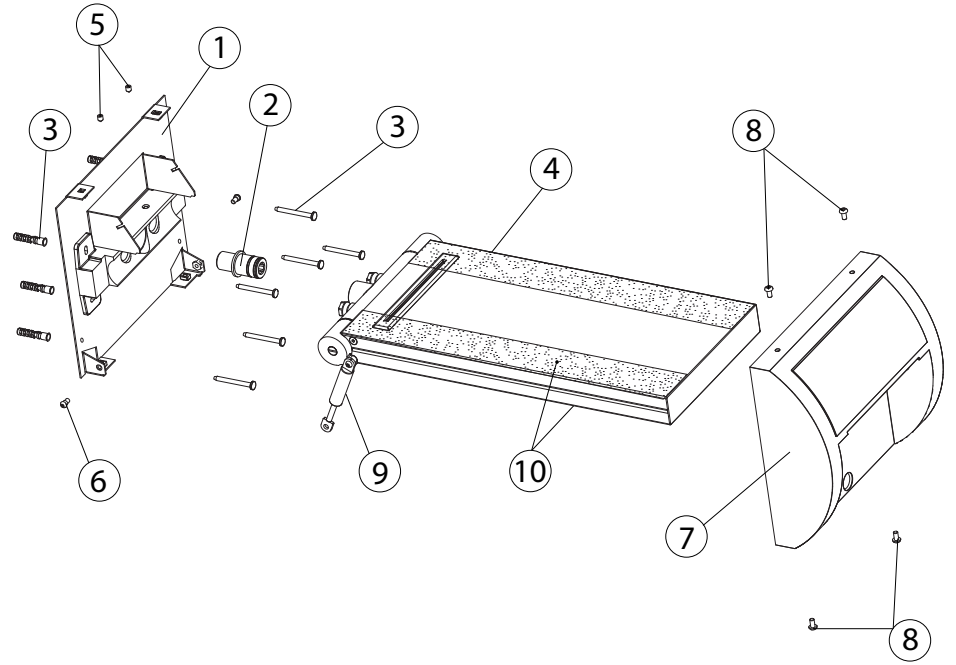


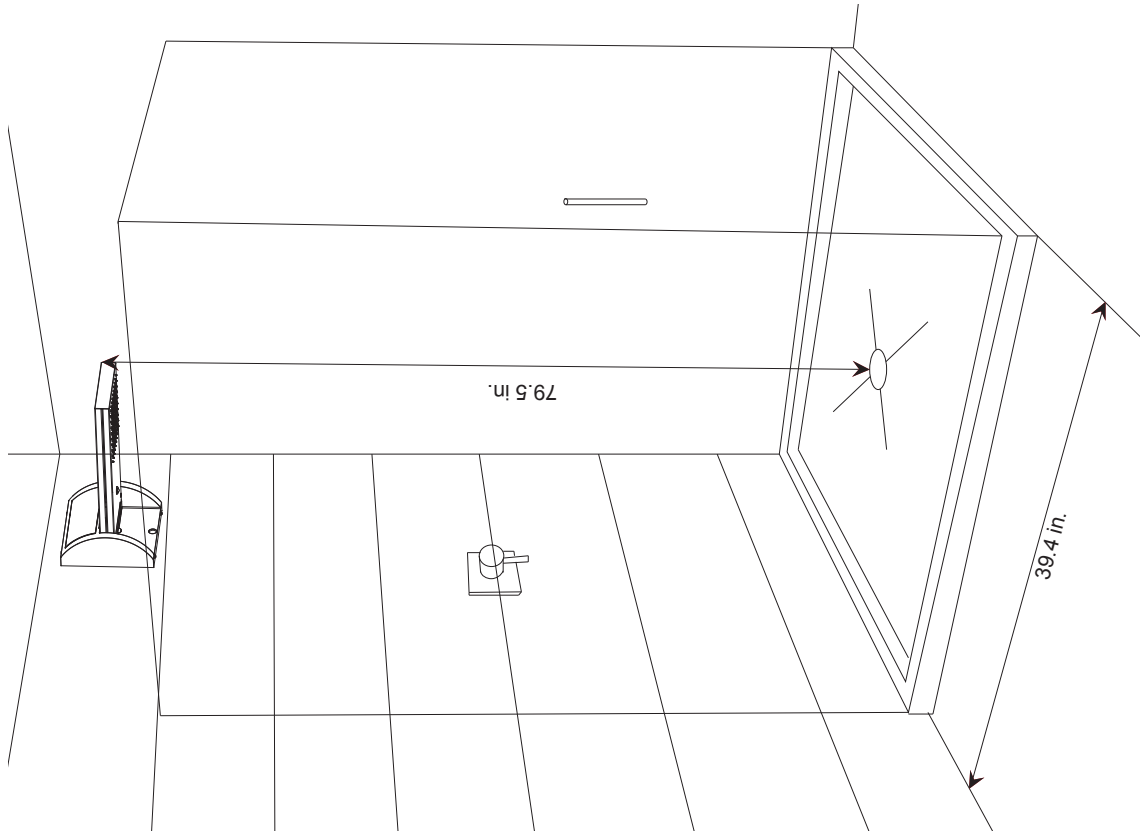
Cascade Spray



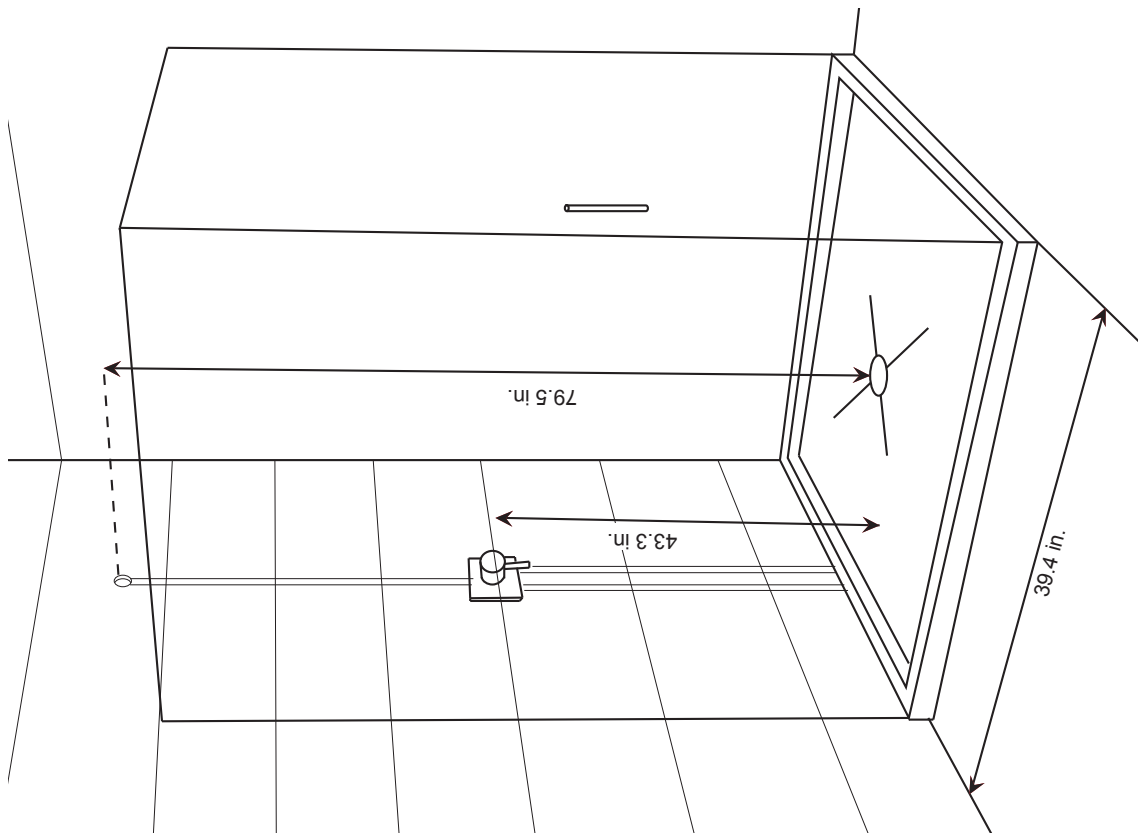
COMPONENTS

- 1. WALL MOUNT SUPPORT
- 2. SUPPLY ADAPTER
- 3. SCREWS AND ANCHORS
- 4. SHOWER HEAD
- 5. FASTENING DOWELS
- 6. SPRING FASTENING SCREWS
- 7. SUPPORT COVER
- 8. COVER FASTENING SCREWS
- 9. GAS SPRINGS
- 10. PROTECTION FILM

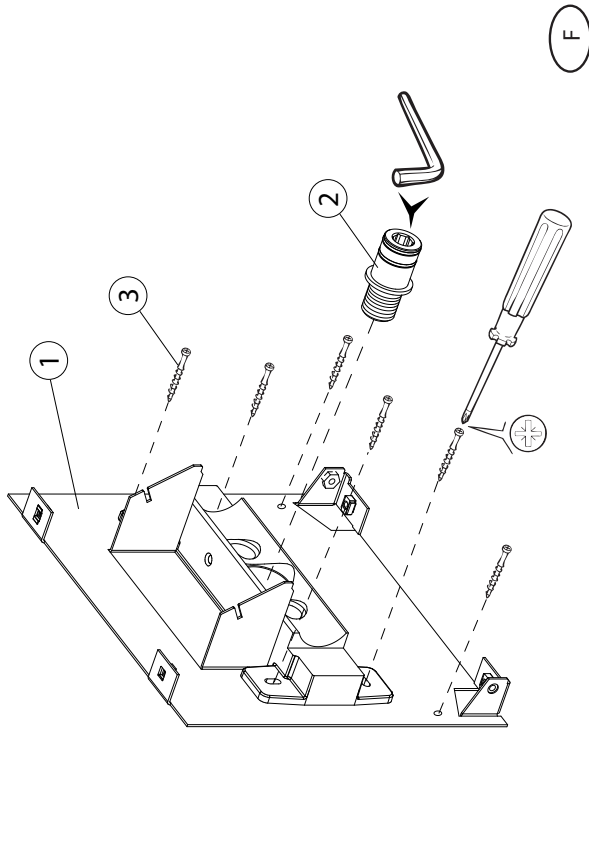




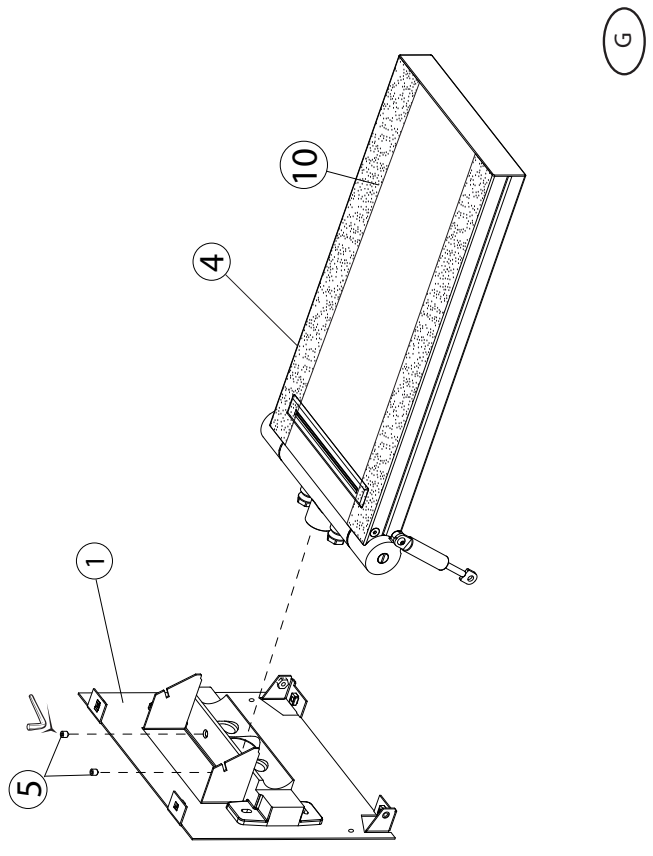
A2



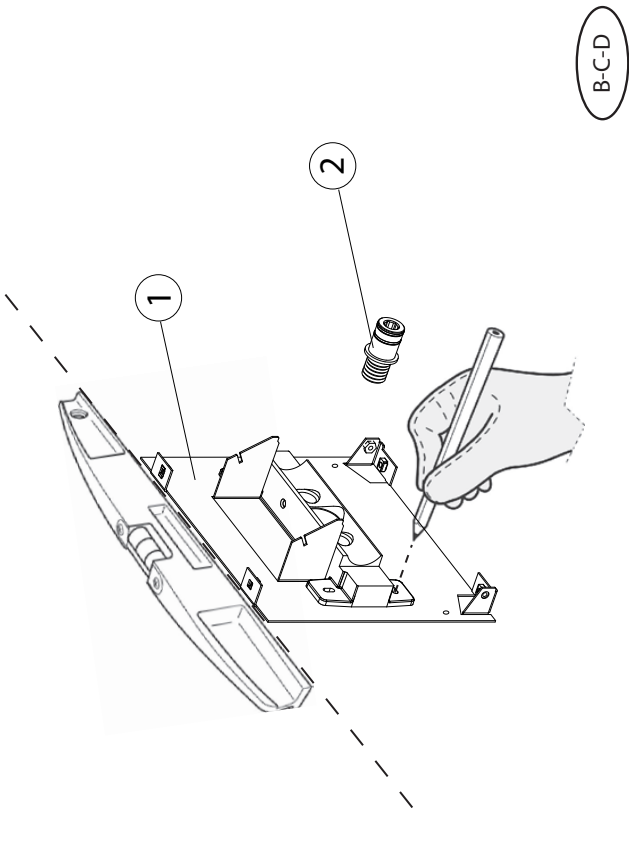
A1



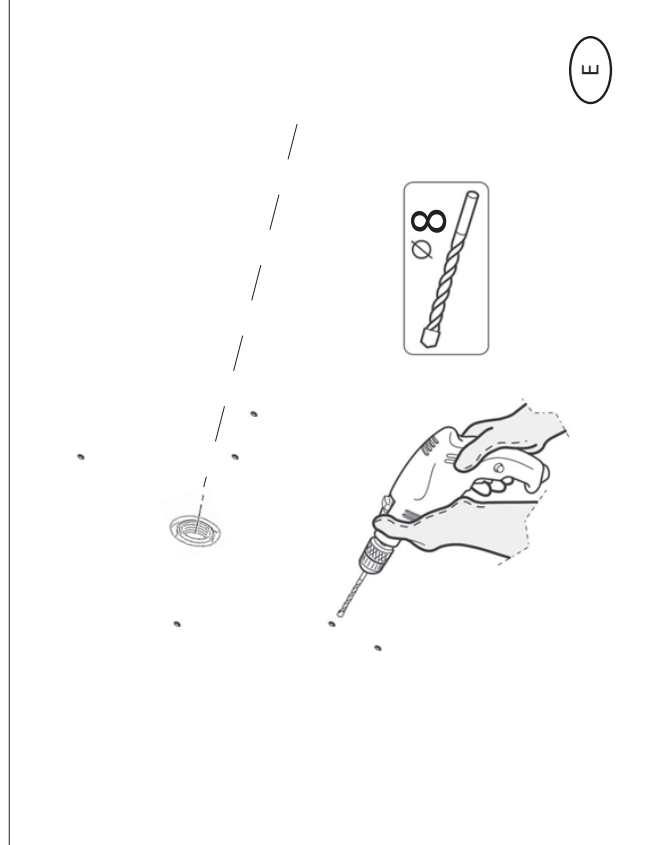
F



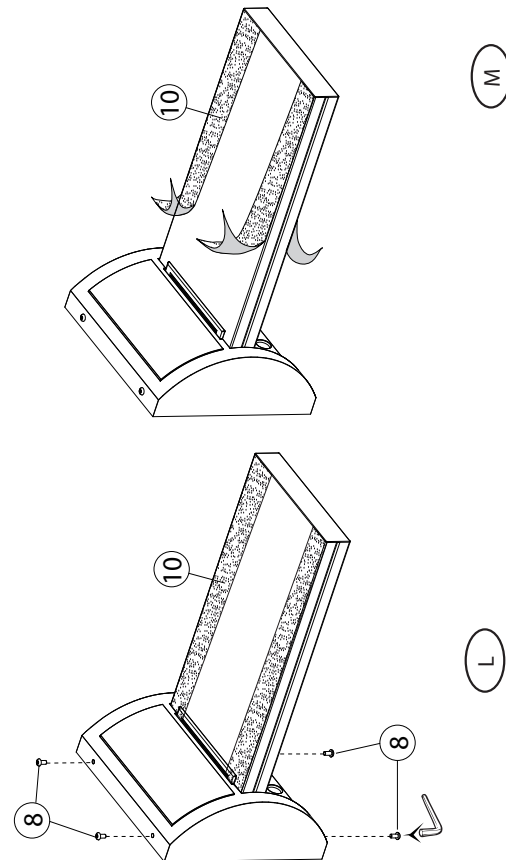
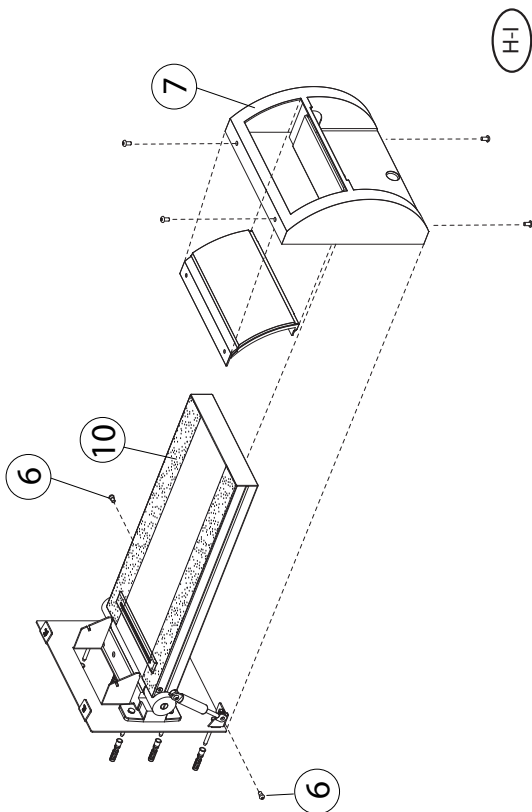
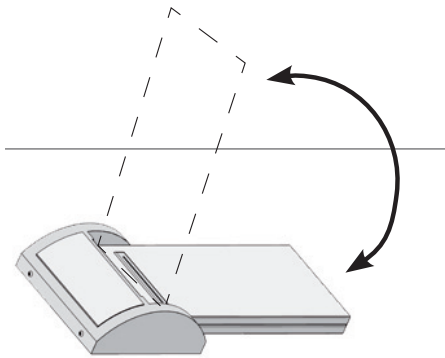
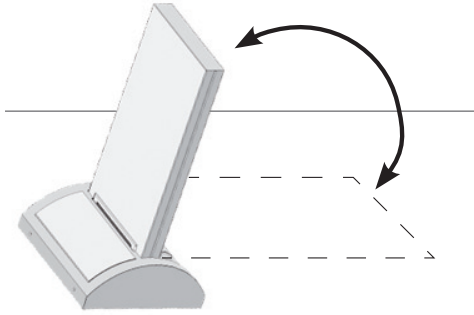
G



B-C-D



E



INSTALLATION

- A1. A2.** For ideal installation, lower part of showerhead must be placed at a height of about 78-3/4" from the floor. The recommended flow rate for good functioning of the showerhead is 4 gallons per minute.
- B.** Place the support (1) against the wall and make sure the supply adapter (2) is lined up with the central hole of the support.
- C.** Temporarily fix the support (1) by screwing the supply adapter (2) into the appropriate outlet.
- D.** Make sure the support is perfectly horizontal to the floor by using a level. Use a pencil to mark the slots corresponding to the six holes for inserting the anchor screws (3). Unscrew the supply adapter (2) and remove the wall support (1).
- E.** Drill the six holes using an 8 mm drill bit.
- F.** Fasten the support (1) by screwing the supply adapter (2) and the six screws into the wall (3).
- G.** Insert the showerhead (4) and screw the fastening dowels (5) already mounted onto the support.
- H.** Fix the free end of the gas springs (9) onto the lower part of the support with the suitable screws (6).
- I.** Apply the cover (7) until it adheres completely to the wall.
- L.** Fasten the cover to the plate with the suitable screws (8).
- M.** Remove the protection film (10) from the showerhead (4).

RECOMMENDATIONS FOR PROPER USE

PROPER USE OF THIS PRODUCT WILL ALLOW YOU TO AVOID DAMAGES TO THE BATHROOM ENVIRONMENT.

- * To prevent impurities or debris from getting inside the product and causing functional problems, always flush out the system before connecting it to the supply pipes. It is recommended to install the filter at the system's water intake.
- * To keep the diffuser clean and prevent lime scales from clogging the diffuser, we advise that you periodically rub the silicone nozzles to free them of the lime deposits.

CARE INSTRUCTIONS

In order to maintain the high quality finish of JACLO products, please adhere to the following product care instructions:

Cleaning JACLO products: For routine cleaning, simply use a soft damp cloth and common household soap, then rinse and dry. Proper care of your product is important because most water contains calcium that deposits on surfaces, forming unpleasant spots. This can be avoided by routine cleaning and drying after every use. Use only mild soap based detergents.

Never use abrasive cleaners, bleach, disinfectants or cleaning products containing alcohol, ammonia, hydrochloric or phosphoric acids as they will damage the product finish.

Please note: Your product warranty may not be valid if the above cleaning guidelines are not followed.

The use of water softeners, which are loaded with salt, will destroy any finish in time. Use of water softeners void all warranties.

WARRANTY

Residential Warranty: Your new plumbing fixture is warranted by **JACLO INDUSTRIES**, 129 Dermody Street, Cranford, NJ 07016. This warranty is extended to original consumer purchasers only. This warranty gives you specific legal rights, and you may also have other rights which vary from state to state.

The product (including the finish on the product but excluding any custom finishes and any installation hardware not supplied by JACLO) is warranted to be free from defects in material or workmanship under normal use and service for the lifetime* of the fixture, so long as the original consumer purchaser owns it. JACLO's sole obligation under this or any other warranty is limited to repairing or replacing at JACLO's option, without labor, any part or parts of the fixture which fall to conform to such warranty.

JACLO WILL NOT BE LIABLE FOR ANY CONSEQUENTIAL OR INCIDENTAL DAMAGES CAUSED BY A BREACH OF THIS OR ANY OTHER WARRANTY.

Some states do not allow the exclusion of limitation of incidental or consequential damages, so the above limitation may not apply to you.

To secure warranty performance, the original consumer purchaser must have the fixture properly and professionally installed in accordance with all codes and installation instructions.

Items and actions that will void the JACLO warranty are:

- Abuse, misuse, neglect and accidental damage
- Improper cleaning care of maintenance of the fixture
- Alteration of the fixture in any way including removal of a flow regulator/restrictor

All warranty claims must be made in accordance with the JACLO return policy (see below).

JACLO does not authorize any distributor, retailer or other person to modify this warranty or assume any liability on its behalf with respect to it. Any question regarding the operation of warranty should be addressed to JACLO's warranty department.

*Due to the unpredictable environment, all kitchen drains, strainers and garbage disposal flanges are warranted for the period of one year from date of purchase from an authorized JACLO dealer

Commercial Warranty: JACLO extends the above warranty for a period of one year from date of purchase to purchasers of products for industrial, commercial, business and all non-private residential uses.

