

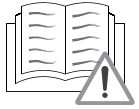
INSTALLATION INSTRUCTIONS

York Column Ensemble

Part #: 1724

JACLO®

Confidence from start to finish.™



Read
carefully



Wear
protective gloves

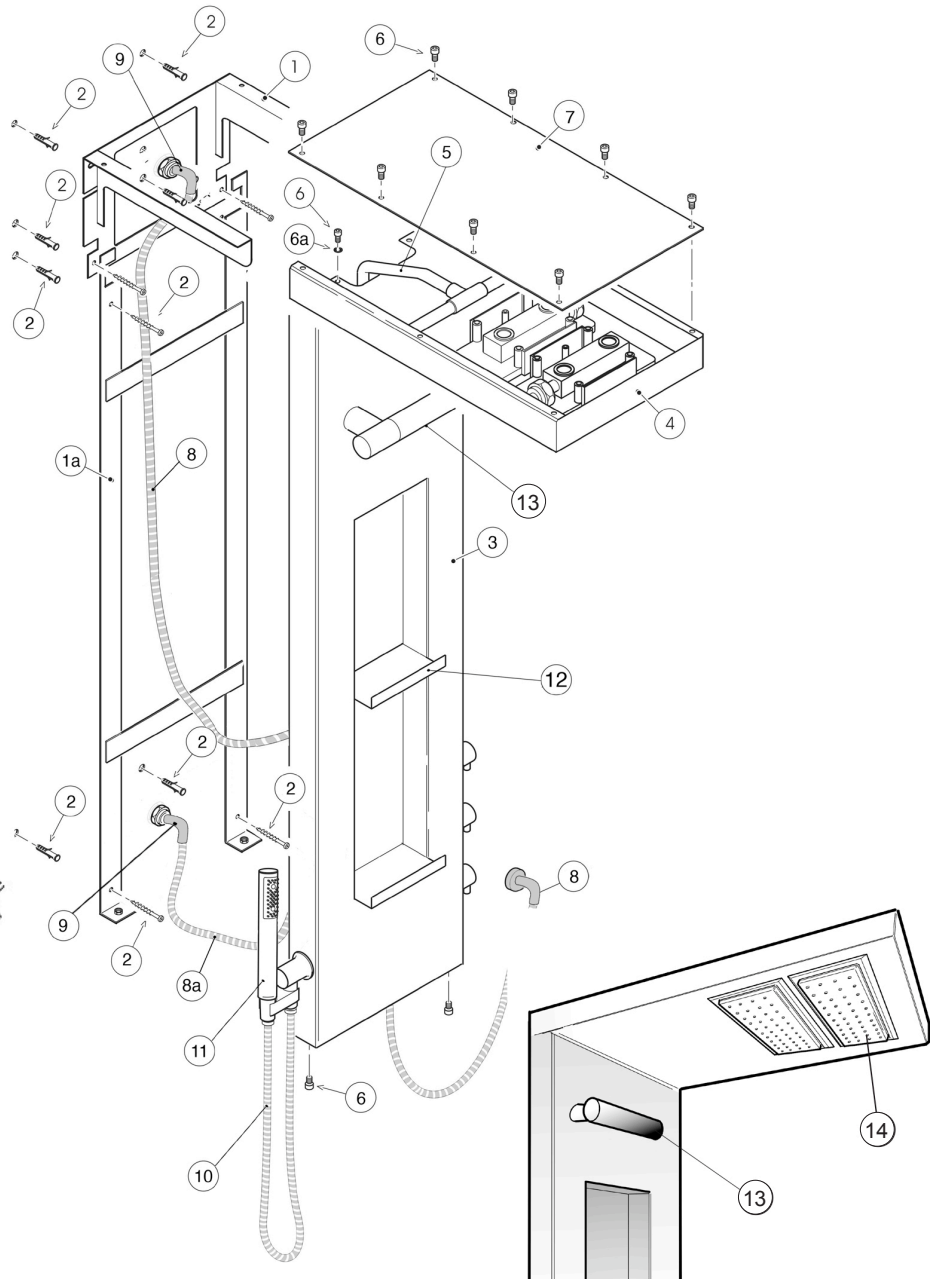
THERMOSTATIC VALVE
SOLD SEPARATELY



IMPORTANT

Note: This unit requires a separate shower control valve i.e. thermostatic or pressure balance valve to supply mixed water to unit

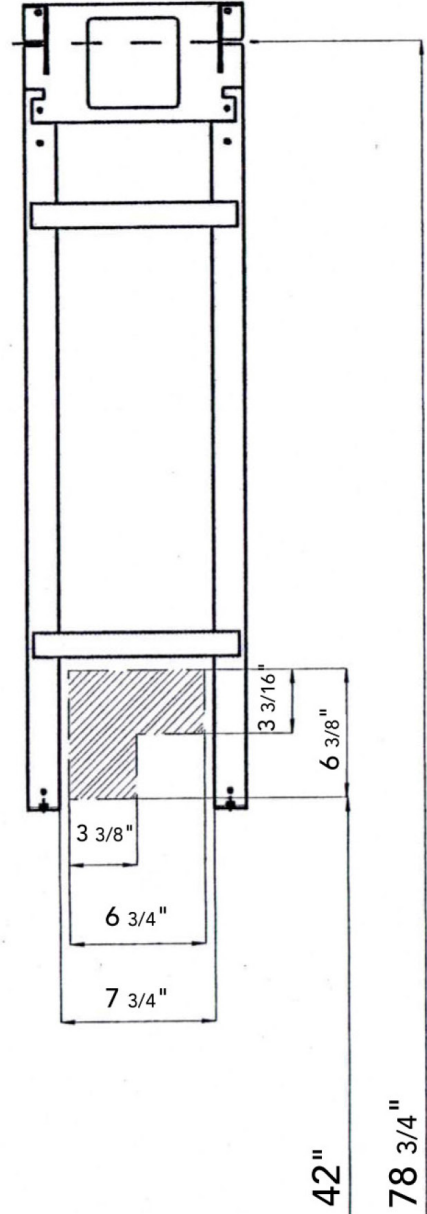
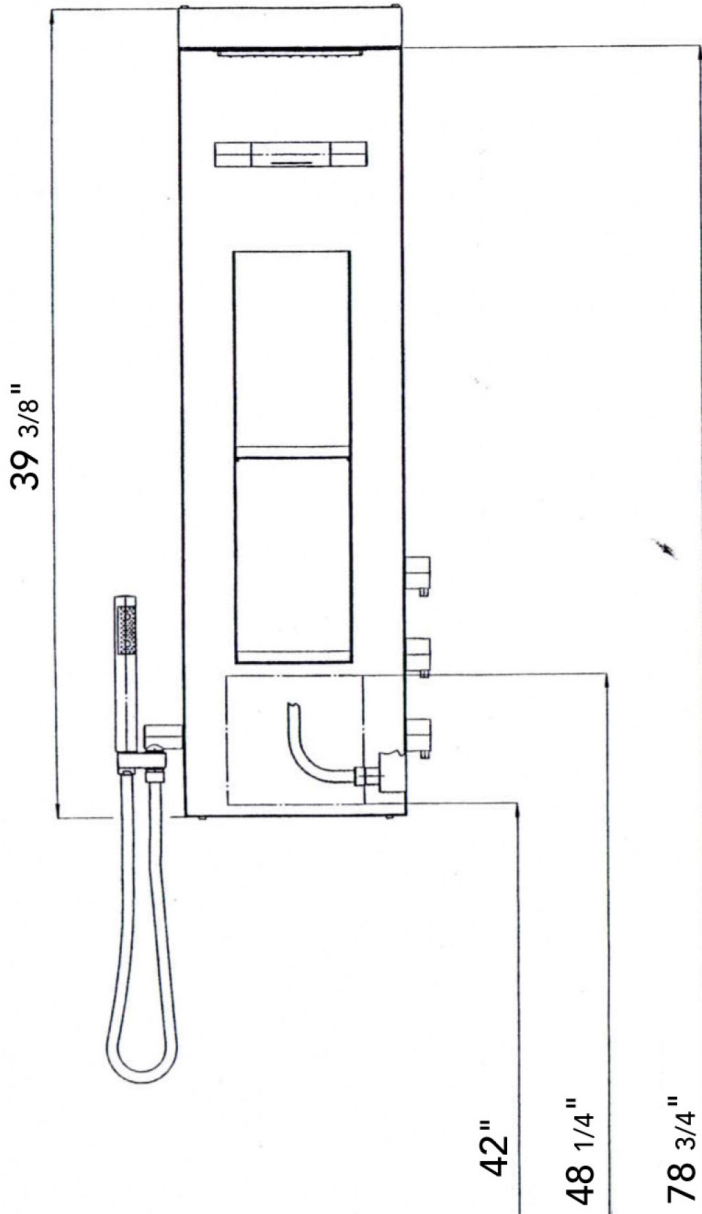
Operation: This unit allows operation of the handshower, overhead shower or waterfall at the same time or individually by operation of the three volume control valves mounted on the right hand of the unit.

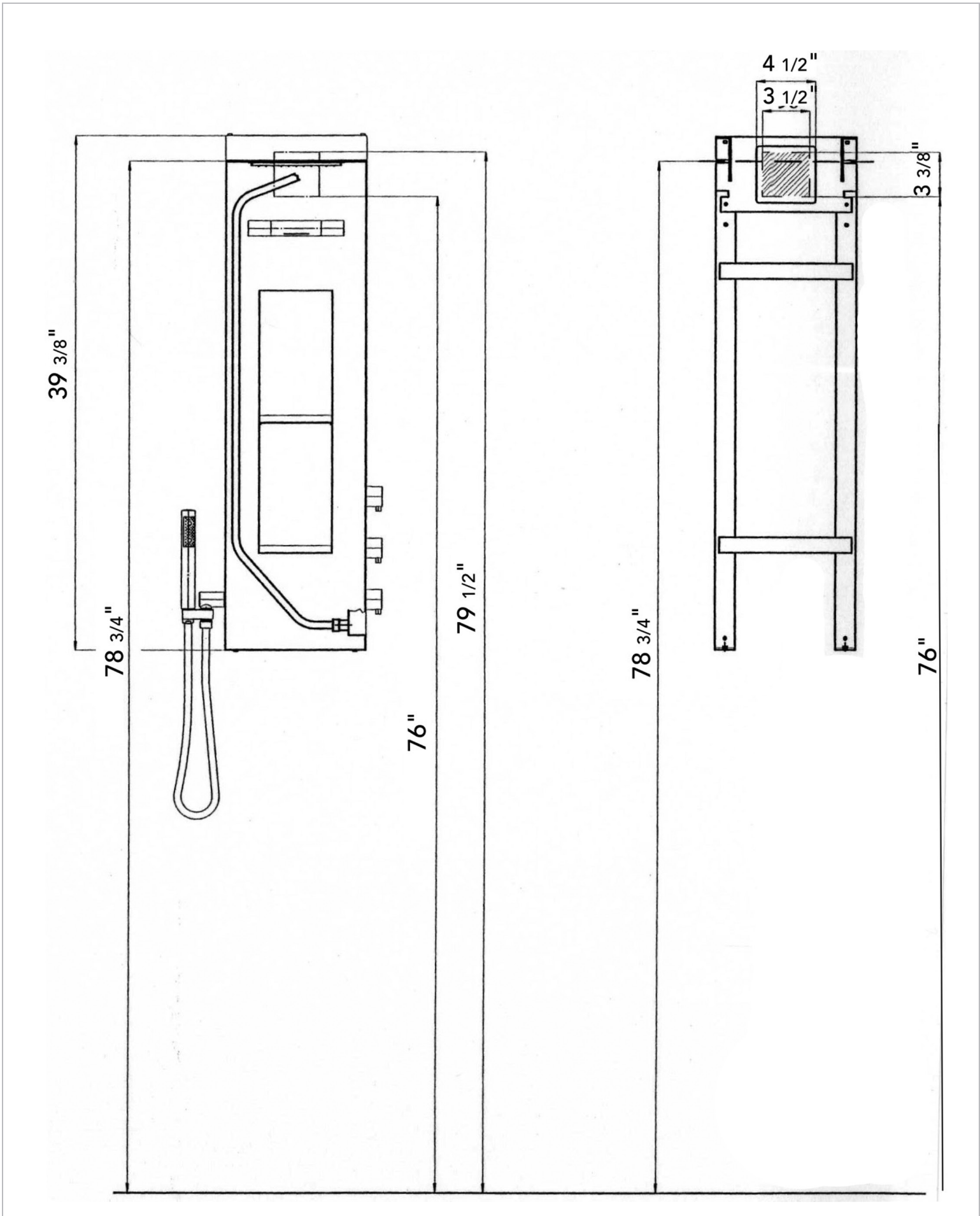


THERMOSTATIC VALVE
SOLD SEPARATELY

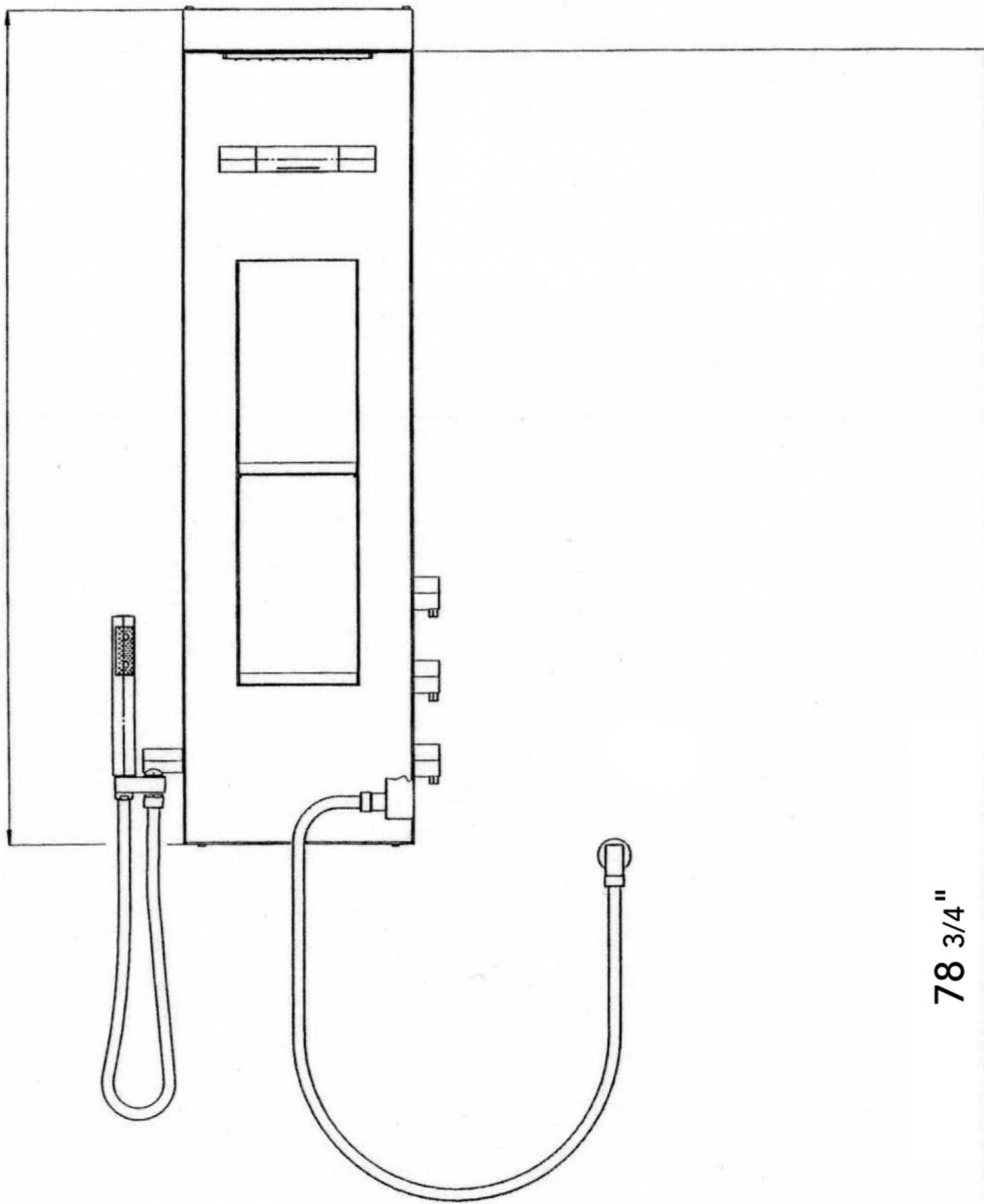
PARTS

- 1. Upper Frame
- 1a. Lower Frame
- 2. Screws and Ø mm anchors
- 3. Shower tower cover
- 4. Shower head body
- 5. Flexible hose connection from manifold to upper water supply
- 6. Fixation screws
- 6a. Fixation screw discs
- 7. Shower head cover
- 8. Flexible hose connections from manifold to upper water supply
- 8a. Flexible hose connections from manifold to lower water supply
- 9. Flexible hose connections from manifold to lower water supply
- 10. Shower hose
- 11. Handshower
- 12. Shelves
- 13. Waterfall feature
- 14. York Prelude





39 3/8"



78 3/4"

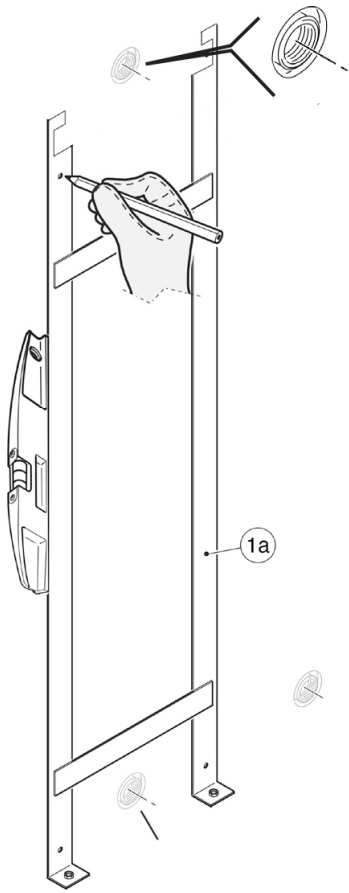


Fig. 1

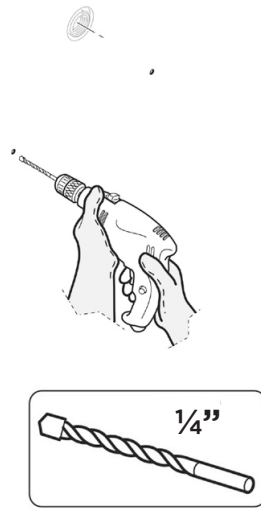


Fig. 2



Fig. 3

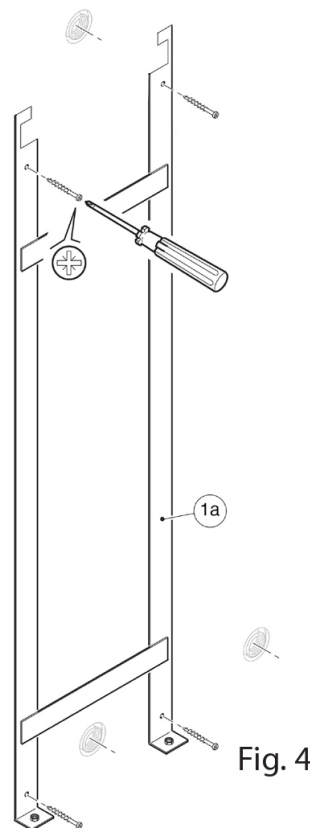


Fig. 4

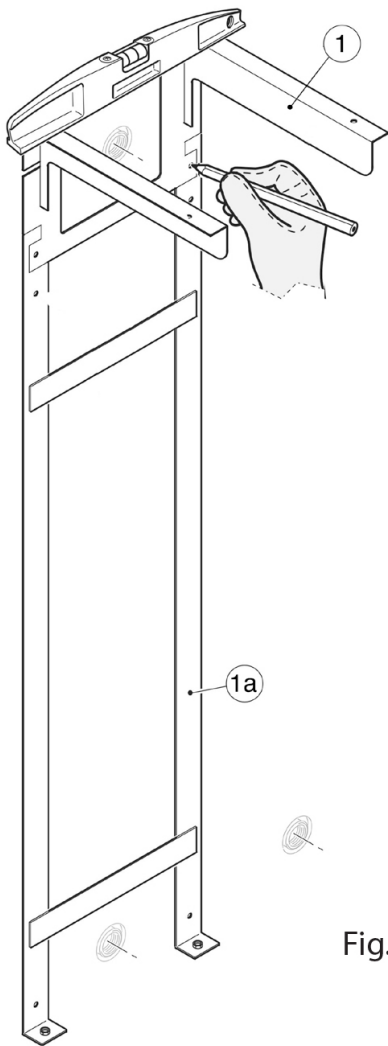


Fig. 5



Fig. 6

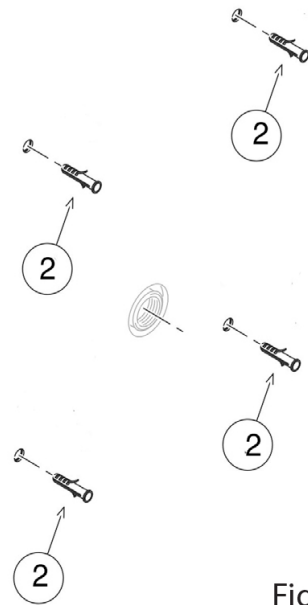


Fig. 7

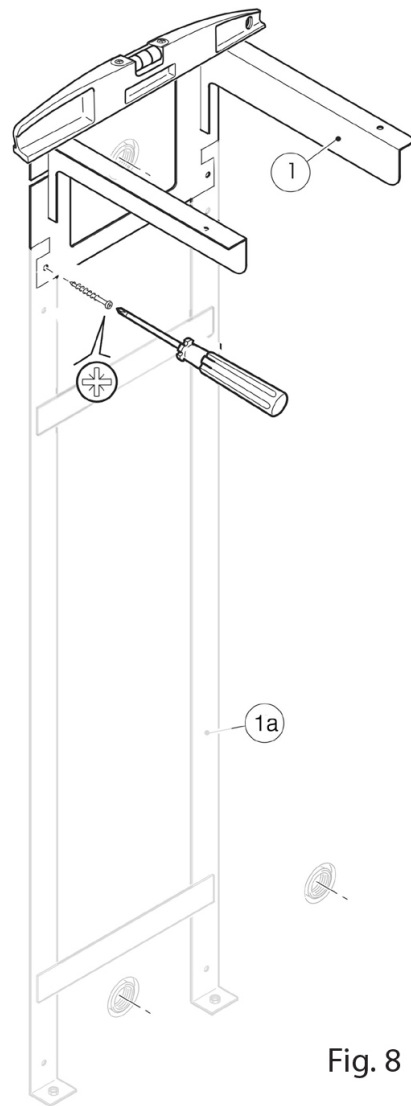
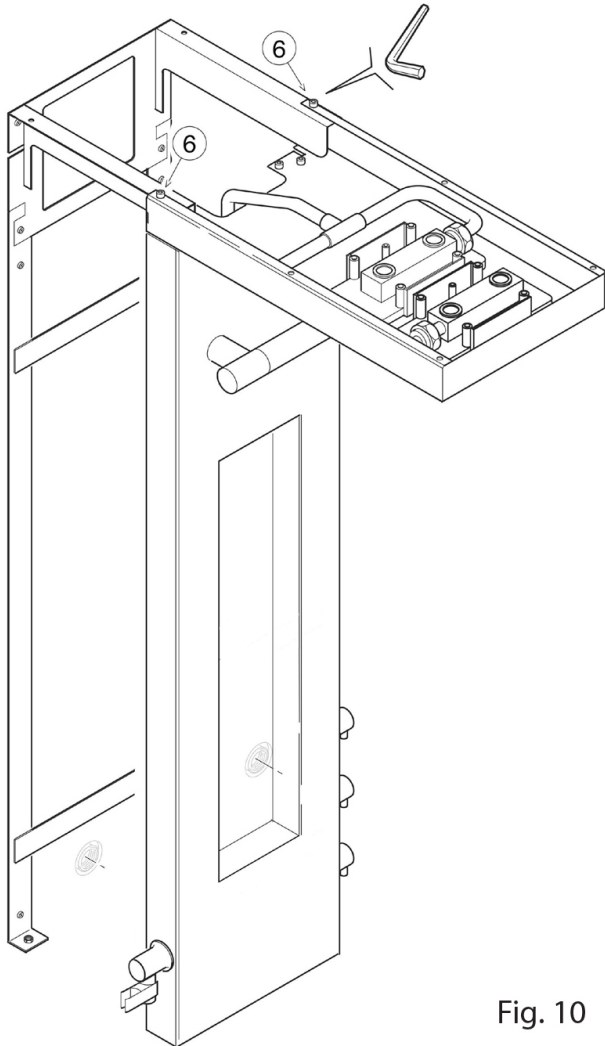
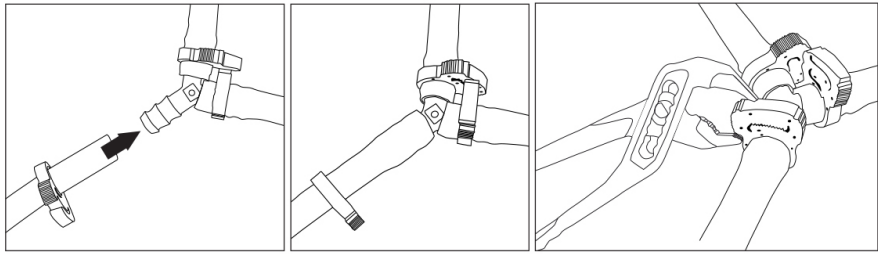
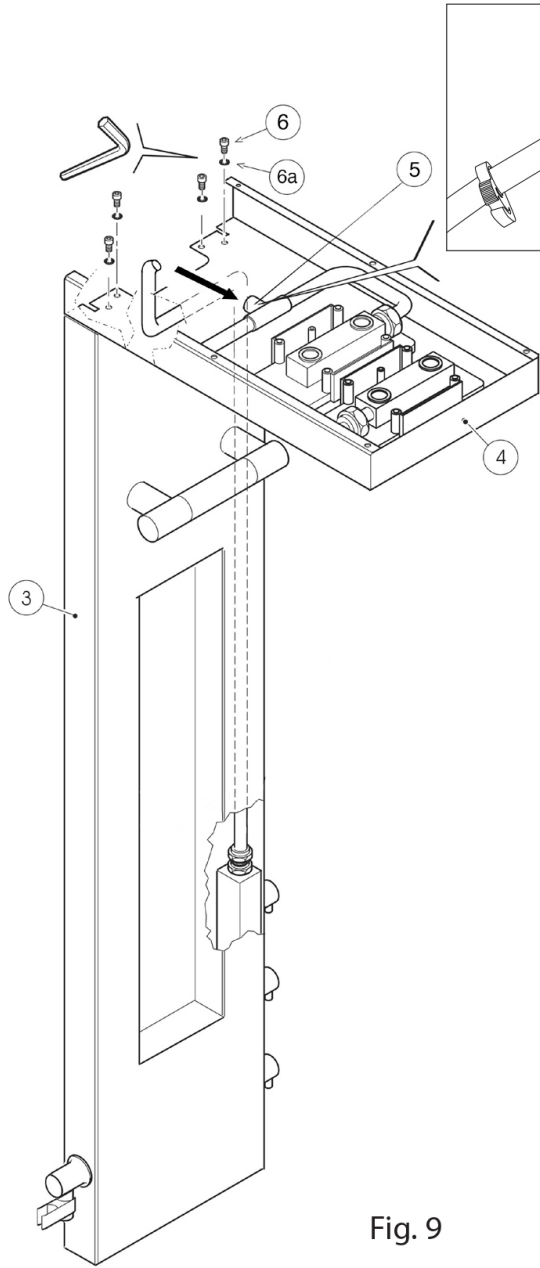


Fig. 8



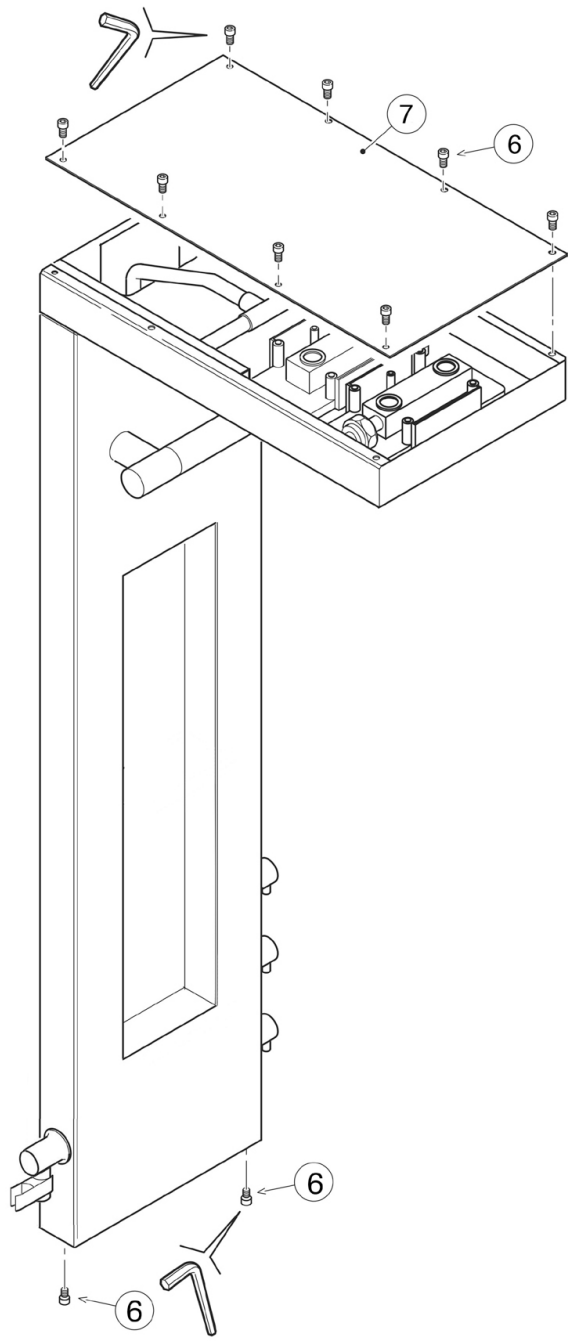


Fig.11

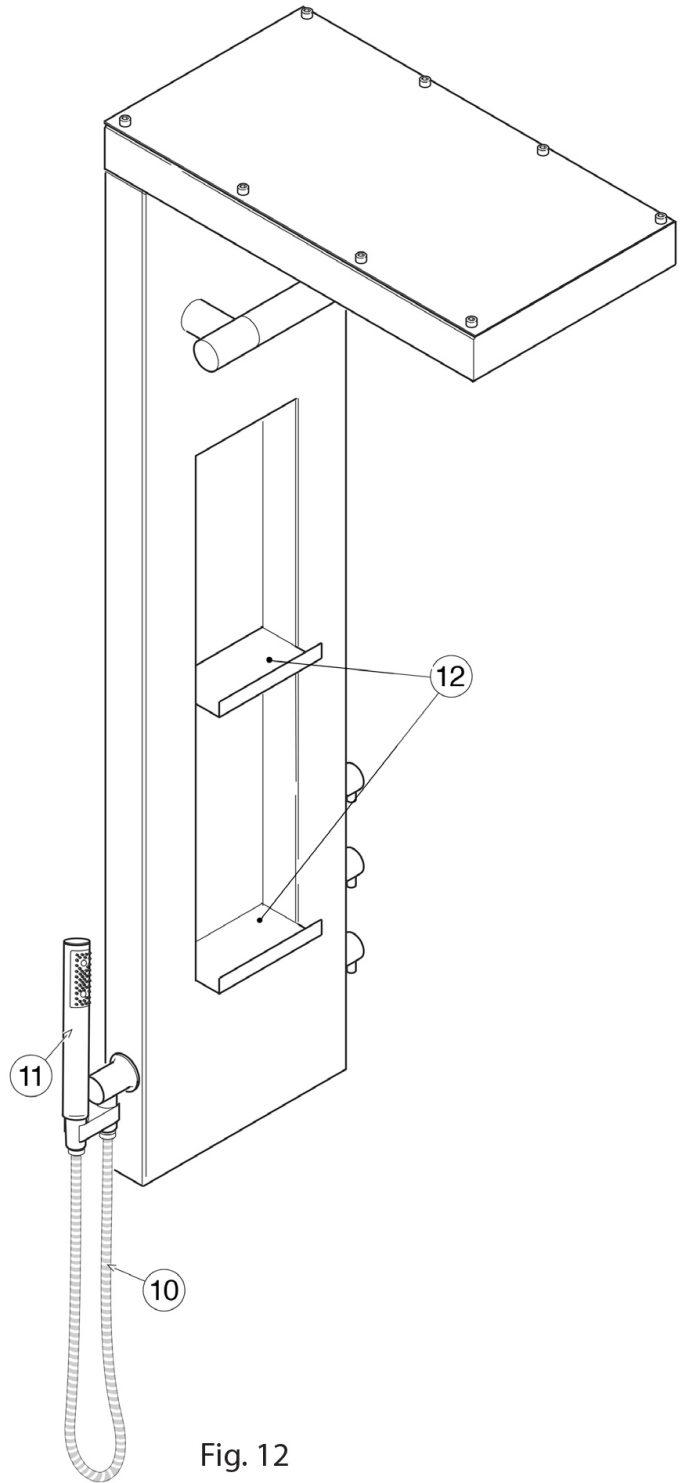


Fig. 12

INSTALLATION

York tower shower allows three different installation solutions with three different water outlets (newly installed or already existing) described below:

A. **Lower** water outlet: Connect the stainless steel flexible hose from manifold to lower water outlet

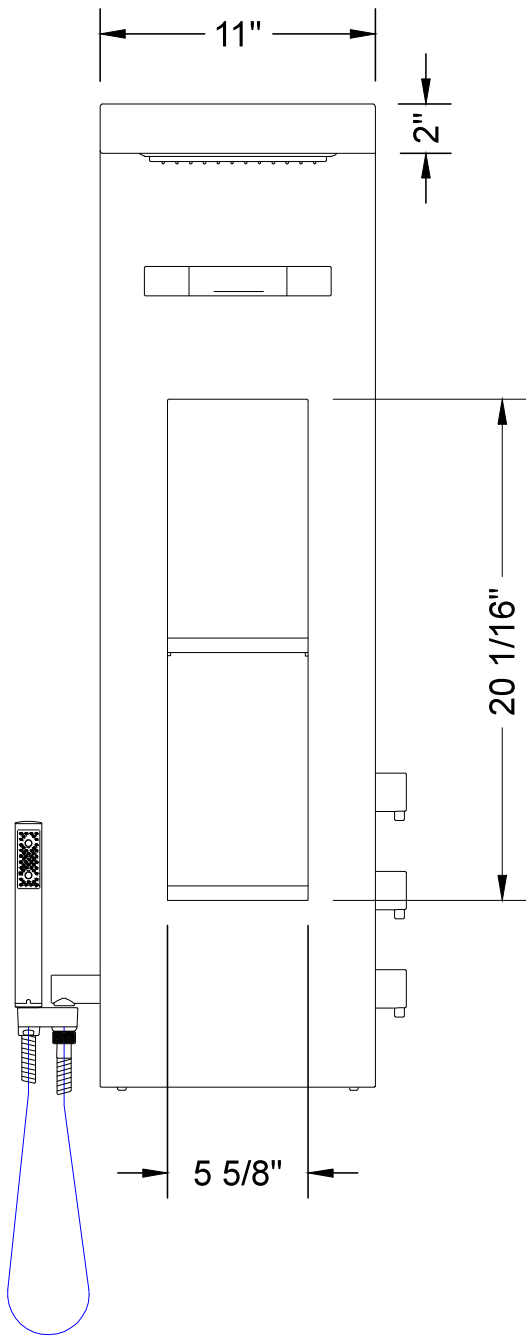
B. **Upper** water outlet: Connect the stainless steel flexible hose from manifold to upper water outlet

C. **Side** water supply: Connect the stainless steel flexible hose to side outlet. The hose passes through the hole located on the lower end of the tower cover

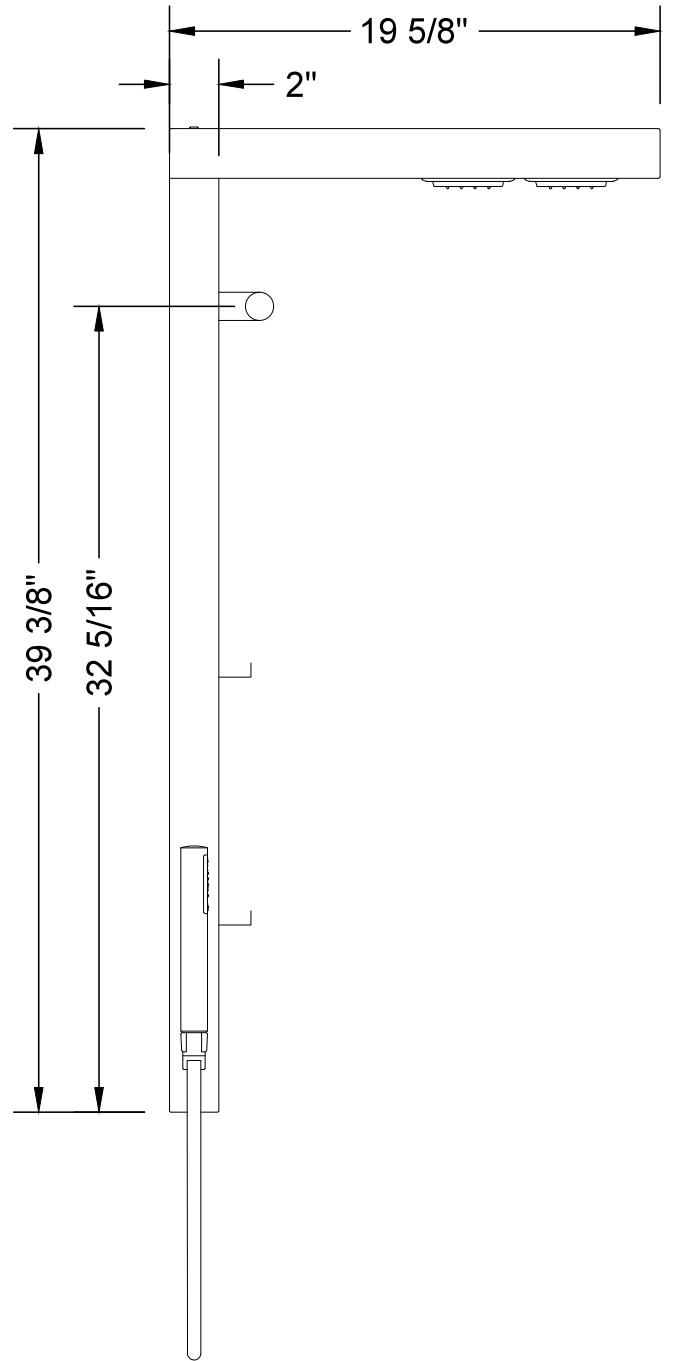
INSTALLATION PROCEDURE

1. Mount the lower frame on the wall (1a) making sure the frame is set at desired height and set at right angles to the shower tray/floor. Mark the four holes and drill using a ¼” bit. Insert anchors and secure the frame as shown in Fig. 1, 2, 3 and 4.
2. Lean the upper frame (1) on the wall making sure it is perfectly straight. Mark four fixation screws and drill by using a ¼” bit. Secure as shown in Fig. 5, 6, 7, 8.
3. Assemble the two main bodies (3 and 4) fixing one to the other by mean of the screws (6) and discs (6a); connect the flexible hose (5) to showerhead.
4. Mount the whole tower assembly onto upper frame and temporarily secure with screws (6). Leave enough space between tower and wall order to proceed to connections. First connect the flexible hose connection to the designated water supply on the wall (A, B, or C), then proceed to final tower mounting: loosen the two screws (6) then let the tower slide until it completely adheres to the wall.
5. Complete shower head assembly mounting the upper cover (7) and secure the tower at the lower end with screws.
6. Connect shower hose (10) and handshower (11) and mount shelves (12)

FRONT VIEW



SIDE VIEW



CARE INSTRUCTIONS

In order to maintain the high quality finish of JACLO products, please adhere to the following product care instructions:

Cleaning JACLO products: For routine cleaning, simply use a soft damp cloth and common household soap, then rinse and dry. Proper care of your product is important because most water contains calcium that deposits on surfaces, forming unpleasant spots. This can be avoided by routine cleaning and drying after every use. Use only mild soap based detergents.

Never use abrasive cleaners, bleach, disinfectants or cleaning products containing alcohol, ammonia, hydrochloric or phosphoric acids as they will damage the product finish.

Please note: Your product warranty may not be valid if the above cleaning guidelines are not followed.

The use of water softeners, which are loaded with salt, will destroy any finish in time. Use of water softeners void all warranties.

WARRANTY

Residential Warranty: Your new plumbing fixture is warranted by **JACLO INDUSTRIES**, 129 Dermody Street, Cranford, NJ 07016. This warranty is extended to original consumer purchasers only. This warranty gives you specific legal rights, and you may also have other rights which vary from state to state.

The product (including the finish on the product but excluding any custom finishes and any installation hardware not supplied by JACLO) is warranted to be free from defects in material or workmanship under normal use and service for the lifetime* of the fixture, so long as the original consumer purchaser owns it. JACLO's sole obligation under this or any other warranty is limited to repairing or replacing at JACLO's option, without labor, any part or parts of the fixture which fall to conform to such warranty.

JACLO WILL NOT BE LIABLE FOR ANY CONSEQUENTIAL OR INCIDENTAL DAMAGES CAUSED BY A BREACH OF THIS OR ANY OTHER WARRANTY.

Some states do not allow the exclusion of limitation of incidental or consequential damages, so the above limitation may not apply to you.

To secure warranty performance, the original consumer purchaser must have the fixture properly and professionally installed in accordance with all codes and installation instructions.

Items and actions that will void the JACLO warranty are:

- Abuse, misuse, neglect and accidental damage
- Improper cleaning care of maintenance of the fixture
- Alteration of the fixture in any way including removal of a flow regulator/restrictor

All warranty claims must be made in accordance with the JACLO return policy (see below).

JACLO does not authorize any distributor, retailer or other person to modify this warranty or assume any liability on its behalf with respect to it. Any question regarding the operation of warranty should be addressed to JACLO's warranty department.

*Due to the unpredictable environment, all kitchen drains, strainers and garbage disposal flanges are warranted for the period of one year from date of purchase from an authorized JACLO dealer

Commercial Warranty: JACLO extends the above warranty for a period of one year from date of purchase to purchasers of products for industrial, commercial, business and all non-private residential uses.