

Distributed in North America by:
JACLO INDUSTRIES

129 Dermody Street,
Cranford,
New Jersey,
07016
USA

Phone: 800 852 3906
Fax: 800 852 4133
www.jaclo.com

Manufactured by:

Hornbeam Ivy Ltd
Whitworth Road, Marston Trading Est.
Frome, Somerset, England
BA11 4BY
Tel:+44 1373 461693
Fax:+44 1373 462676
Email - sales@hornbeamivy.com
www.steamvalveoriginal.com

STEAM VALVE
ORIGINAL



Single Lever Mixers

1071

1072

1073

1272

Page	1	Specification
Page	2	Components
Page	3	Installation
Page	4	Maintenance

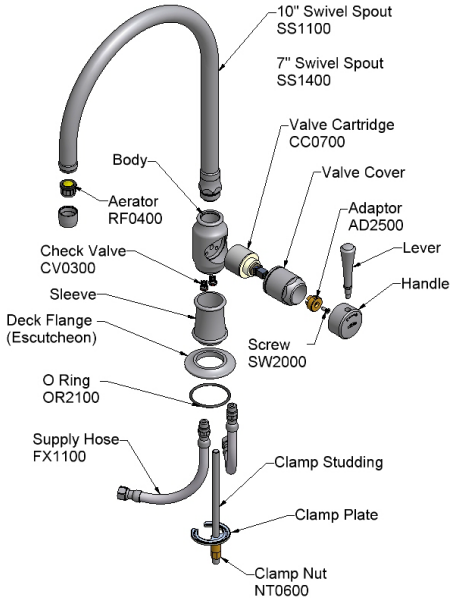
SOLID STAINLESS STEEL

LF1070

Components / Spares



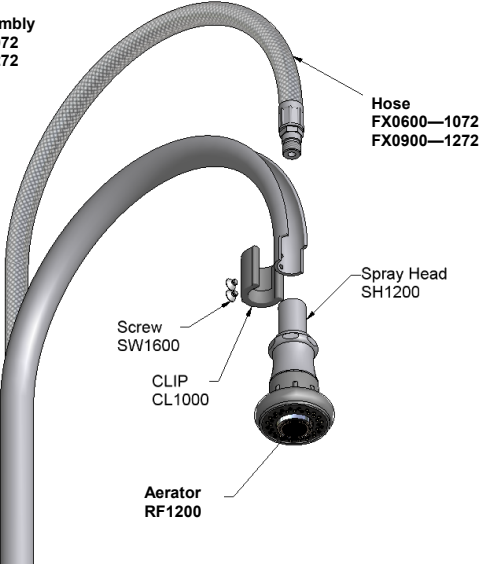
(1071 / 1073 Single Lever Mixer Swivel Spout)



(1072 / 1272 Pull Off Sprays)
Parts as per 1071 / 73 except for....

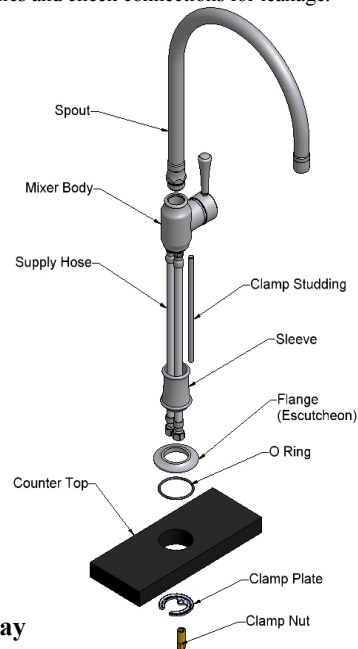
Spout Assembly
SS1200—1072
SS2000—1272

Please note:
All stainless steel parts require
a finish code,
52 = Brushed Stainless
60 = Polished Stianless
Eg:
SS1152 = Brushed Spout
SS1160 = Polished Spout



SOLID STAINLESS STEEL

1. Drill min 1 3/8" (max 1 5/8") Dia hole into the counter top or sink in a suitable location, see Figs 1-4 for reference.
2. Arrange your plumbing such that the 3/8" stops are positioned so the **Flexi Supply Hose** supplied will easily reach without stretching or tight bends.
3. Thread the **Clamp Studding** into the base of the **Mixer Body**. Then slide the **Sleeve & Base Flange** over the **Clamp Studding** and **Supply Hoses**.
4. Pass the **Flexi Supply Hoses** down through the counter top ensuring the 'O' ring seal is positioned under the **Base Flange**.
5. From underneath the counter top slide the **Clamp Plate** over the **Studding** and then thread the **Clamp Nut** up. Tighten until the Mixer is held firmly.
6. Connect the Hot & Cold water supply by attaching the free ends of the **Flexi Supply Hoses** onto the 3/8" stops. Note the Cold water supply is indicated by a blue band on the relevant **Supply Hose**. If you have to coil any excess **Supply Hose** ensure a minimum inside diameter of 3".
7. Attach the **Spout** by threading the connector into the **Mixer Body** and tighten.
8. Open cold and hot water supplies and check connections for leakage.



Operation of Pull Off Spray

The pull off spray offers both spray and aerated stream. The water stream is altered by either pushing or pulling the outer cover of the spray head whilst either holding the hose or whilst the head is held in the spout clip.

The spray head can be removed from the spout clip (Pull Off) by simply pulling forward to unclip. To reattach place the hose back into the channel and re clip the spray head.

NOTE: PULLING THE SPRAY HEAD DOWNWARDS WITH EXCESSIVE FORCE MAY CAUSE DAMAGE TO THE SPRAY HEAD!

The product you have just purchased has been designed to give you years of splendour and service. It is important to bring to your attention proper care and maintenance procedures, which will ensure its lasting beauty.

Cleaning Stainless Steel

- To maintain the pleasing appearance of your stainless steel product you must perform periodic cleaning. For best results, stainless steel should be cleaned as often as necessary to prevent films or deposits which may eventually cause corrosive concentration from setting up upon the surface.
- Whenever possible rinse thoroughly with clean water and a soft cloth and dry completely.
- Ordinary deposits of waste and fluids can usually be removed with soap and water and a soft cloth.
- Due to the nature of Stainless Steel, applying abrasive cleaners which contain chlorides (chlorine bleach) or allowing salty solutions to evaporate and dry on Stainless Steel may contribute to corrosive conditions and should be avoided as this will destroy the finish and void the warranty.

Cleaning Spray Head

- The spray head is fitted with an easy clean face plate. If the spray is becoming blocked with limescale simply agitate the nozzles by running your finger over the nozzles.

Replacing Spray Hose

- To replace the hose, unscrew the spray head from the end of the hose and unscrew the hose from the base of the spout. If the hose has been in situ for a number of years this may not be possible due to build up of limescale. In these circumstances remove the spout completely by unscrewing the base. The hose can then be unscrewed from the inside of the spout base with a screw driver.

Trouble Shooting

Low water flow from faucet

1. Remove and clean the **Aerator**. To remove unscrew holder (a 7/8" or 22mm A/F spanner is required on product fitted with a **Pull Off Spray**).
2. Remove and clean the **Check Valve**. (Positioned in the **Body**).
3. If there is no flow ensure that the **Check Valves** are oriented correctly.