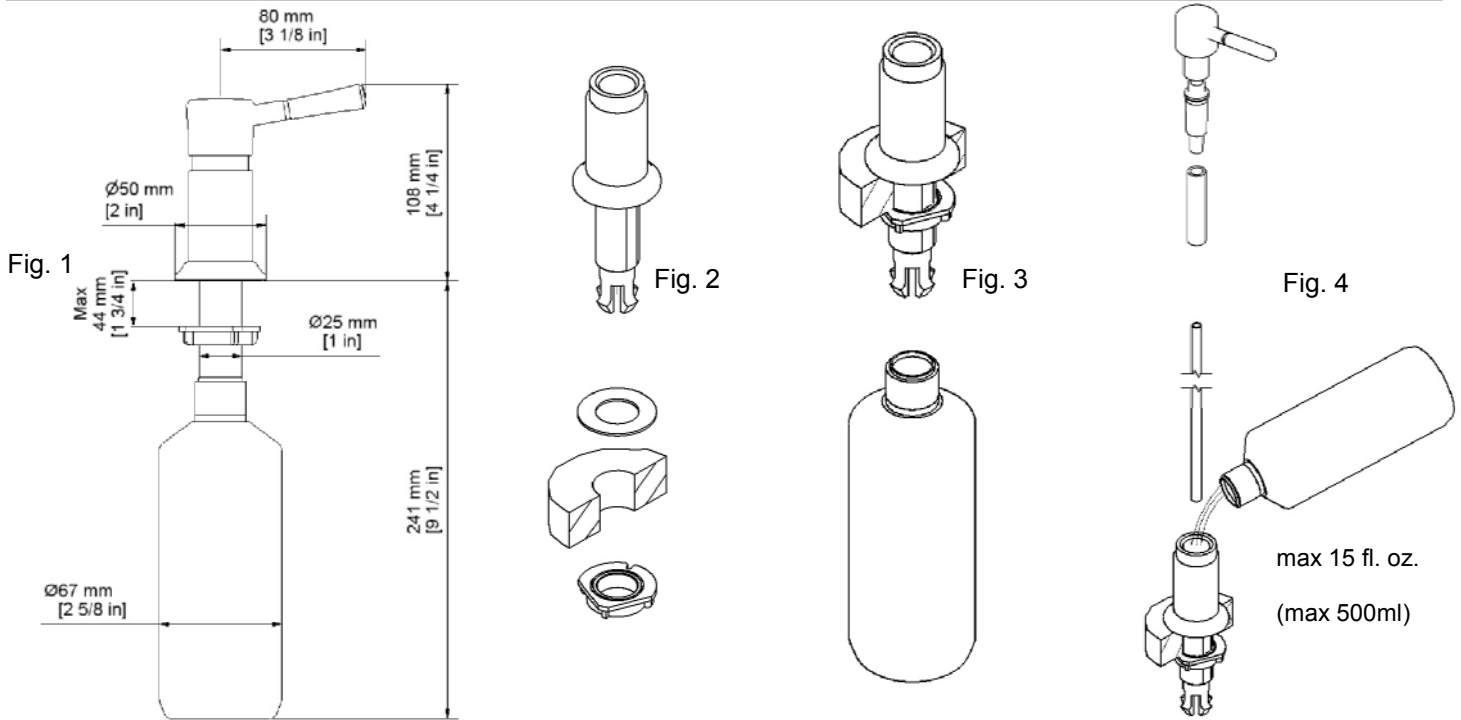


DECK MOUNTED SOAP & LOTION DISPENSER



STEAM VALVE
ORIGINAL



INSTALLATION - Either use an existing hole or prepare one specially. The hole should be 25mm-30mm in diameter. It is recommended that the centre of the hole should not be more than 100mm from the inside edge of the basin or sink. When choosing a location remember to consider any obstructions underneath the surface. See Fig 1. Pass the connector through the rubber washer and in turn through the hole. Then do up the nut, finger tight, from beneath (Note: As a design feature, the connector piece may rotate until securely tightened). See Fig 2. Push the bottle over the four lugs at the bottom of the connector, until it clicks into position. See Fig 3. Place support sleeve over pump mechanism and insert dip tube into the bottom of the pump. Fill the bottle (500ml) through the connector (DO NOT OVERFILL), you can use the dip tube as a measure of how full the bottle is. Insert complete head and pump assembly into connector assembly as shown. See Fig 4.

OPERATION - The pump is worked by a single, full movement downward on the dispenser head. When first used it will be necessary to prime the pump with several movements. Each movement will dispense 1 ml of liquid at 45° to the work surface. **NOTE** If problems are encountered in priming the pump with soap or lotion, we suggest that water should be used initially. Once water has been pumped successfully, simply transfer the unit back to the soap or lotion and keep pumping until all the water is discharged, and your chosen liquid emerges.

MAINTENANCE - If the dispenser is not used for several weeks, the liquid in the pump may become congealed, especially in cold conditions. The head assembly should be removed and hot water allowed to run down through the tube while the pump is operated. The unit will function normally when replaced.

Cleaning Stainless Steel - To maintain the pleasing appearance of your stainless steel product you must perform periodic cleaning. For best results, stainless steel should be cleaned as often as necessary to prevent films or deposits which may eventually cause corrosive concentration from setting up upon the surface. Whenever possible rinse thoroughly with clean water and a soft cloth and dry completely. Ordinary deposits of waste and fluids can usually be removed with soap and water and a soft cloth. Due to the nature of Stainless Steel, applying abrasive cleaners which contain chlorides (chlorine bleach) or allowing salty solutions to evaporate and dry on Stainless Steel may contribute to corrosive conditions and should be avoided as this will destroy the finish and void the warranty.

Hornbeam Ivy Ltd.
Whitworth Road, Marston Trading Est, Frome,
Somerset, BA11 4BY, England
Tel: +44 (0) 1373 461693 Fax: +44 (0) 1373 462676
email: sales@hornbeamivy.com

MADE IN ENGLAND