

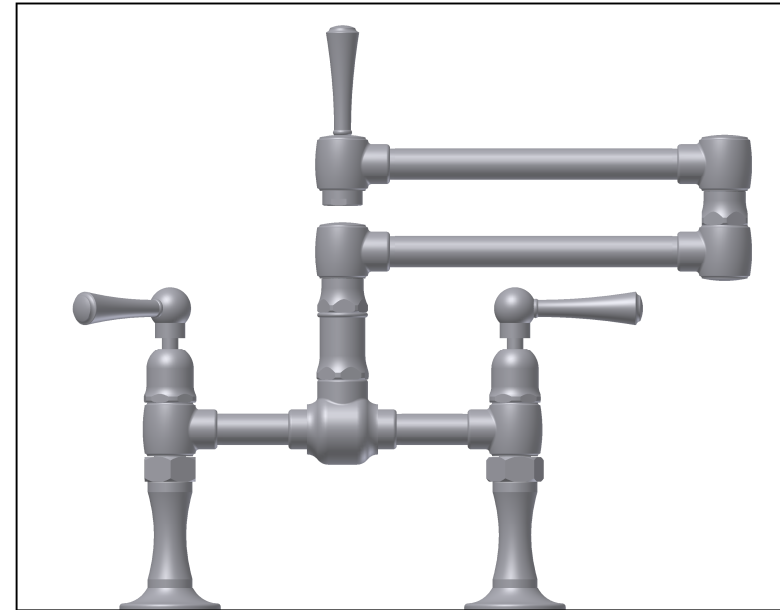
Distributed in North America by:  
JACLO INDUSTRIES

129 Dermody Street,  
Cranford,  
New Jersey,  
07016  
USA

Phone: 800 852 3906  
Fax: 800 852 4133  
www.jaclo.com

*Manufactured by:*

Hornbeam Ivy Ltd  
Whitworth Road, Marston Trading Est.  
Frome, Somerset, England  
BA11 4BY  
Tel:+44 1373 461693  
Fax:+44 1373 462676  
Email - sales@hornbeamivy.com  
www.steamvalveoriginal.com



## Bridge Mixers

1010

1011

1012

1013

1014

1015

Page	1	Specification
Page	2	Components
Page	3	Installation
Page	4	Maintenance

**SOLID STAINLESS STEEL**

LF1200



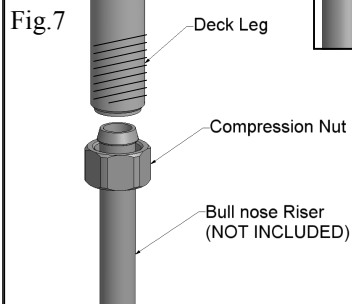
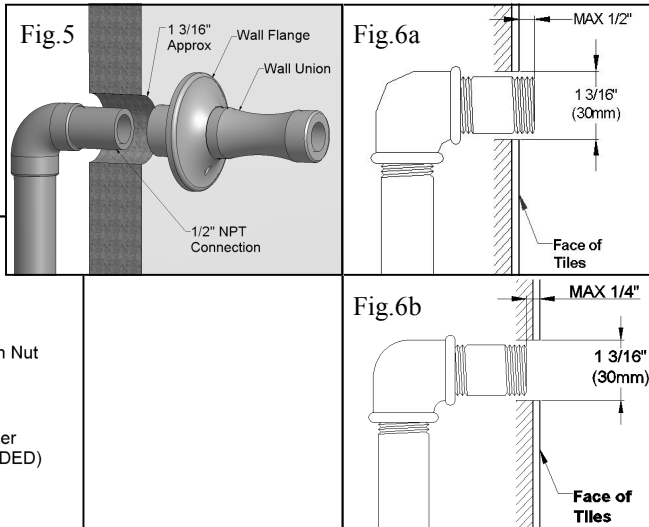




## Installation

### Installation of Wall Mounted Mixers see [fig 1&2]

1. Arrange your in-wall plumbing so that the **Mixer** is positioned at an appropriate height for your particular installation.
2. The **Flanges** are adjustable on the **Wall Unions** so that a neat installation can be achieved without the need to precisely position the internal pipe work. The **Mixer** should be connected to a 1/2" NPT male connector. The Flange allows for 3/4" of adjustment during installation (however the hot and cold plumbing should be positioned such that they are the same distance from the front face of the tiles), see [figs 5,6a&6b]. The plumbing connections need to be 8" apart.
3. Plaster (and tile) so that the **Flange** will cover the rough area.
4. Place the **Flanges** over the **Wall Unions** then thread the **Wall Unions** onto the plumbing connections. The **Wall Unions** may be tightened using an allen key or strap wrench, however the **Check Valve** will need to be removed when using an allen key.
5. Push the **Flanges** against the wall and secure in place with the **Screw** provided.
6. Then with **Fibre Washers** in place attach the **Mixer Body** to the wall unions. Tighten the nuts to ensure a water tight seal (**ENSURE THE CHECK VALVES ARE POSITIONED IN THE TOP OF THE WALL UNIONS**).



### Installation of Deck Mounted Mixers see [fig 2&3]

1. Remove the **Lever Handle Assemblies** and reposition so that the levers are in line with the body when the Valves are closed. To remove the **Lever Handle Assembly** simply unscrew the bell shaped cover and pull. Take care that when opening the valves the lever moves towards the operator.
2. With **Fibre Washers** in place attach the **Deck Unions** to the **Mixer Body** and tighten the nuts to provide a water tight seal. (**ENSURE THE CHECK VALVES ARE POSITIONED IN THE TOP OF THE DECK LEGS**).
3. Thread the Flanges onto the Deck Leg and with the 'O' ring in place pass the assembly through the top of the sink or counter top. This requires 2 holes (1"-1 3/8") dia and 8" apart.
4. Using the Flanged Nuts Provided tighten the Faucet down onto the sink or Counter Top.
5. Connect the Hot and Cold water supply to the deck legs using either: see [fig 7]
  - Bull Nose Riser (Not Included)
  - Flexible Faucet Connector (Not Included)
6. Attach the **Spout** by threading the connector into the **Mixer Body** and tighten.

SOLID STAINLESS STEEL

## Maintenance



The product you have just purchased has been designed to give you years of splendour and service. It is important to bring to your attention proper care and maintenance procedures, which will ensure its lasting beauty.

### Cleaning Stainless Steel

- To maintain the pleasing appearance of your stainless steel product you must perform periodic cleaning. For best results, stainless steel should be cleaned as often as necessary to prevent films or deposits which may eventually cause corrosive concentration from setting up upon the surface.
- Whenever possible rinse thoroughly with clean water and a soft cloth and dry completely.
- Ordinary deposits of waste and fluids can usually be removed with soap and water and a soft cloth.
- Due to the nature of Stainless Steel, applying abrasive cleaners which contain chlorides (chlorine bleach) or allowing salty solutions to evaporate and dry on Stainless Steel may contribute to corrosive conditions and should be avoided as this will destroy the finish and void the warranty.

### Trouble Shooting

Low water flow from faucet

1. Remove and clean the **Aerator**. To remove unscrew holder (a 7/8" or 22mm A/F spanner is required on product fitted with an **Articulated Spout**).
2. Remove and clean the **Check Valve**. (Positioned in the **Wall Union** or **Deck Leg**).
3. If there is no flow ensure that the **Check Valves** are oriented correctly.

SOLID STAINLESS STEEL