

Distributed in North America by:
JACLO INDUSTRIES

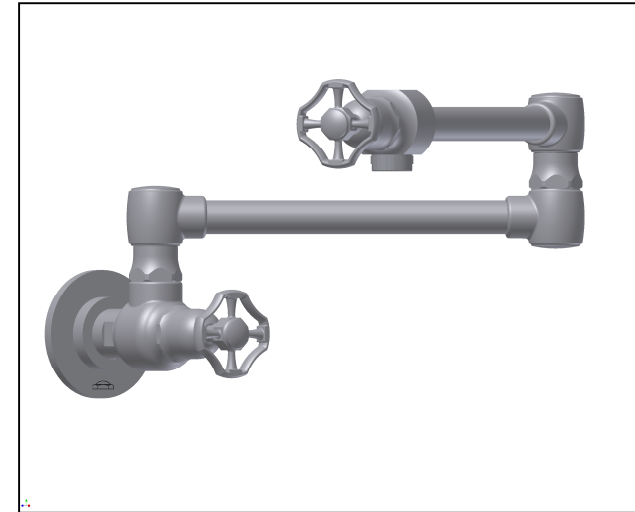
129 Dermody Street,
Cranford,
New Jersey,
07016
USA

Phone: 800 852 3906
Fax: 800 852 4133
www.jaclo.com

Manufactured by:

Hornbeam Ivy Ltd
Whitworth Road, Marston Trading Est.
Frome, Somerset, England
BA11 4BY
Tel:+44 1373 461693
Fax:+44 1373 462676
Email - sales@hornbeamivy.com
www.steamvalveoriginal.com

STEAM VALVE
ORIGINAL



Pot Fillers

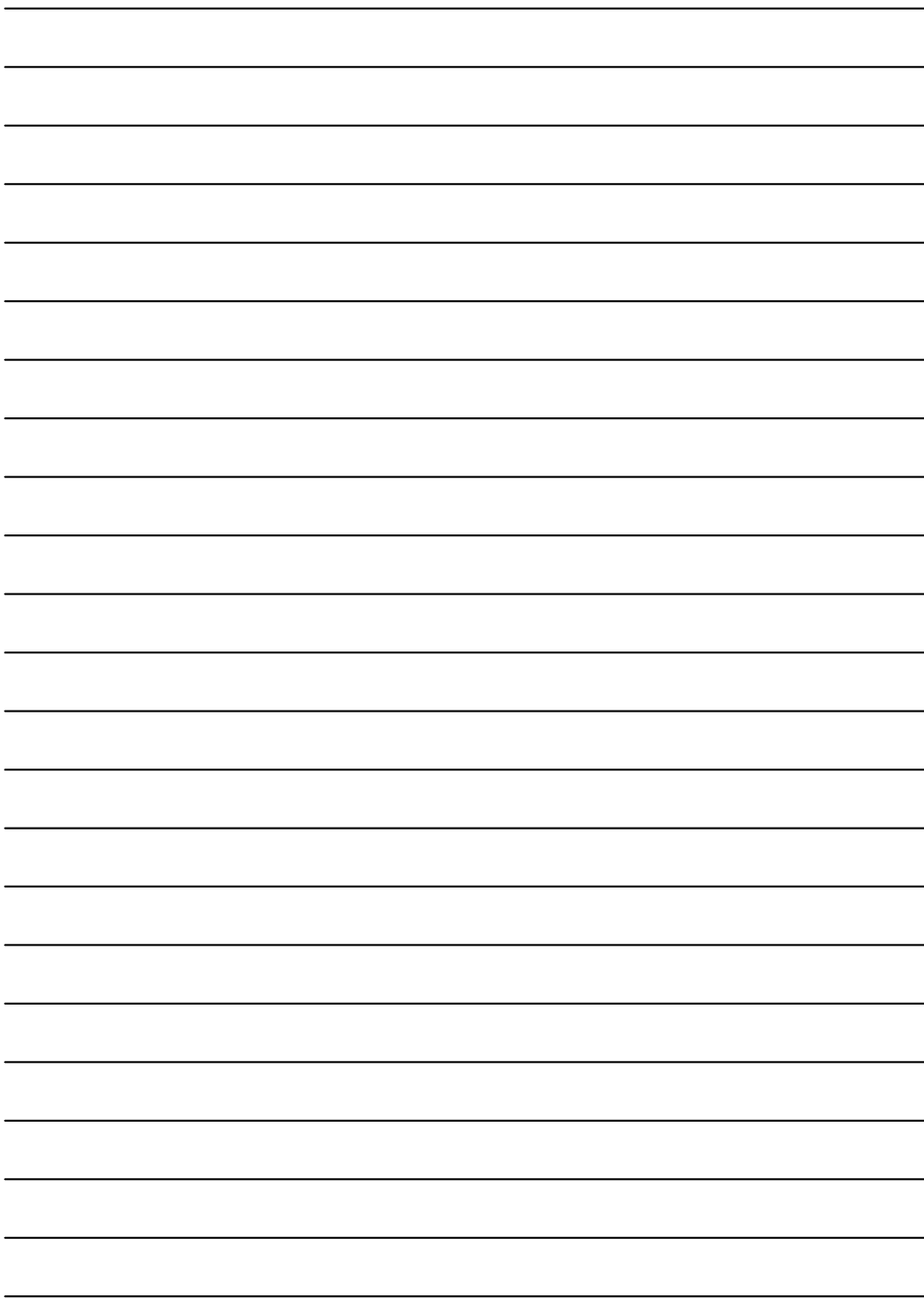
1003

1004

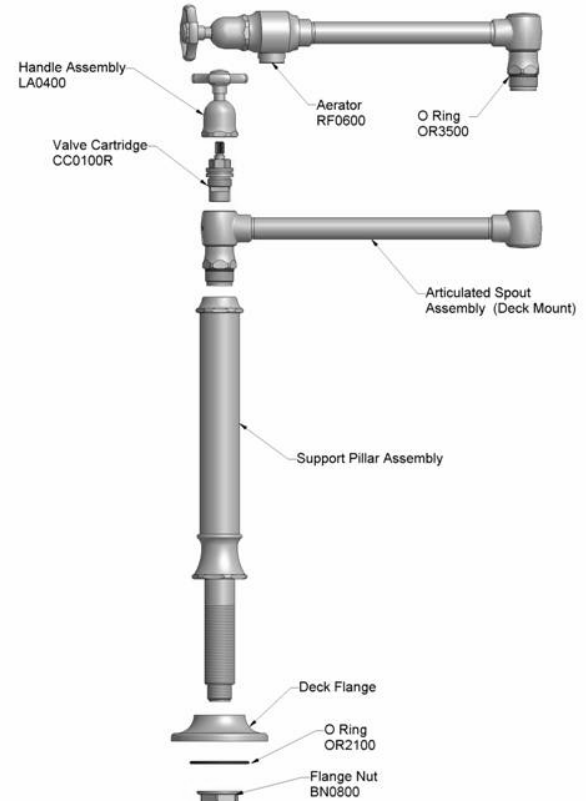
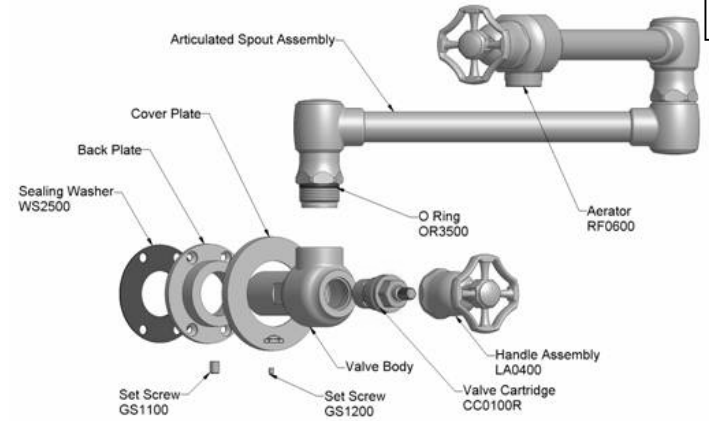
Page	1	Specification
Page	2	Components
Page	3	Installation
Page	4	Maintenance

SOLID STAINLESS STEEL

LF1600



Components / Spares



SOLID STAINLESS STEEL



Installation

Installation of Wall Mounted Pot Fillers see [fig 1&3]

Note: When Installing on plasterboard walls (not solid walls) an appropriate reinforcement must be in place to ensure sufficient strength.

1. Arrange your in-wall plumbing so that the **Pot Filler** is positioned at an appropriate height for your particular installation.
2. The **Flange** is adjustable on the **Pot Filler** so that a neat installation can be achieved without the need to precisely position the internal pipe work. The **Pot Filler** should be connected to a 1/2" NPT male connector. The **Flange** allows for 1/2" of adjustment during installation see [fig 3&4].
3. Plaster (and tile) so that the **Flange** will cover the rough area. Ensuring room is left for the **Valve Body** to clear the tiles and enough space for the **Screws** and **Anchors**.
4. Thread the **Pot filler** onto the plumbing connection with the **Flange Back Plate** positioned over the **Valve Body**. Do not fully tighten but position **Pot Filler** horizontally (using a spirit level) and having positioned the **Flange** against the wall tighten **Flange** onto **Valve Body** with **Set Screw** Provided. Mark the position of the 4 holes and remove the **Pot Filler** from the connection.
5. Drill the 4 holes as marked and attach the **Flange Back Plate** to the wall with the **Screws** and anchors provided. Remember to position the **Rubber Sealing Washer** behind the **Flange** before attaching to the wall.
6. Fit the **Flange Cover Plate** over the **Back Plate** and secure with the **Set Screw** provided.
7. Thread the **Pot Filler** back onto the fitting this time tightening to give a water tight seal (PTFE tape may be required). The **Pot Filler** must again be tightened so that it finishes in a horizontal position and again fastened in place using the **Set Screw** Provided.

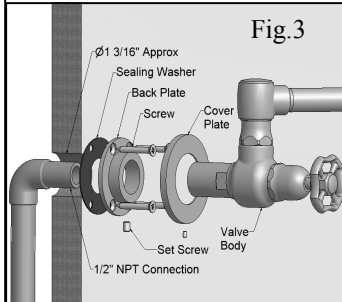


Fig.3

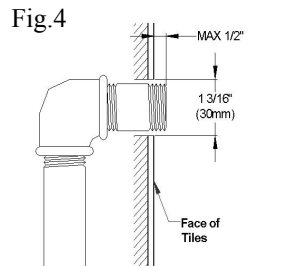


Fig.4

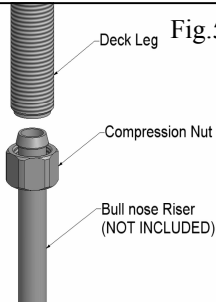


Fig.5

Installation of Deck Mounted Pot Fillers see [fig 2&5]

1. Prepare a hole in the countertop in a suitable location near to sink or stove. It should have a dia between 1 1/8" and 1 3/8". The centre of the hole must be min 1 3/4" from any edge to allow room for the base **Flange**.
2. Place the **Flange** over the hole with the 'O' ring in place. Pass the **Support Pillar** down through the flange.
3. Using the **Flanged Nut** provided tighten the **Pillar** down onto the sink or counter top.
4. Attach the **Spout Assembly** onto the **Pillar** and tighten.
5. Connect the water supply to the **Deck Leg** using either: see [fig 5]
 - Bull Nose Riser (Not Included)
 - Flexible Faucet Connector (Not Included)

Operation

For ease of use the pot fillers are fitted with 2 control valves. **If the Pot Filler is to be left unattended ensure both are left in the closed position.**

SOLID STAINLESS STEEL

Maintenance



The product you have just purchased has been designed to give you years of splendour and service. It is important to bring to your attention proper care and maintenance procedures, which will ensure its lasting beauty.

Cleaning Stainless Steel

- To maintain the pleasing appearance of your stainless steel product you must perform periodic cleaning. For best results, stainless steel should be cleaned as often as necessary to prevent films or deposits which may eventually cause corrosive concentration from setting up upon the surface.
- Whenever possible rinse thoroughly with clean water and a soft cloth and dry completely.
- Ordinary deposits of waste and fluids can usually be removed with soap and water and a soft cloth.
- Due to the nature of Stainless Steel, applying abrasive cleaners which contain chlorides (chlorine bleach) or allowing salty solutions to evaporate and dry on Stainless Steel may contribute to corrosive conditions and should be avoided as this will destroy the finish and void the warranty.

Trouble Shooting

Low water flow from faucet

1. Remove and clean the **Aerator**. To remove unscrew holder (a 7/8" or 22mm A/F spanner is required on product fitted with an **Articulated Spout**).

SOLID STAINLESS STEEL