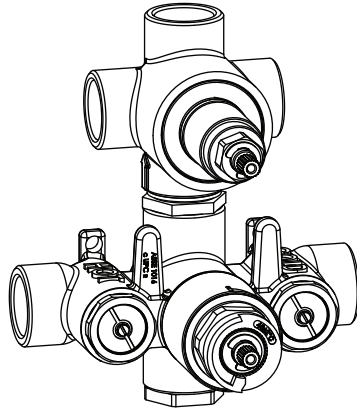


TVH.4301 | 3/4" Thermostatic Valve With 3-Way Diverter & Integrated Volume Control UPC



SPECIFICATIONS:

- Turn bottom knob to control temperature.
- Turn top knob to control water flow.
- Thermostatic Valve Flow Rate - 13.0 GPM @ 60 PSI

STANDARDS:

- ASME A112.18.1 / CSA B125.1

! A separate volume control is **not** needed to turn water supply off. Volume control functionality is integrated within this valve.

CALGreen Compliant



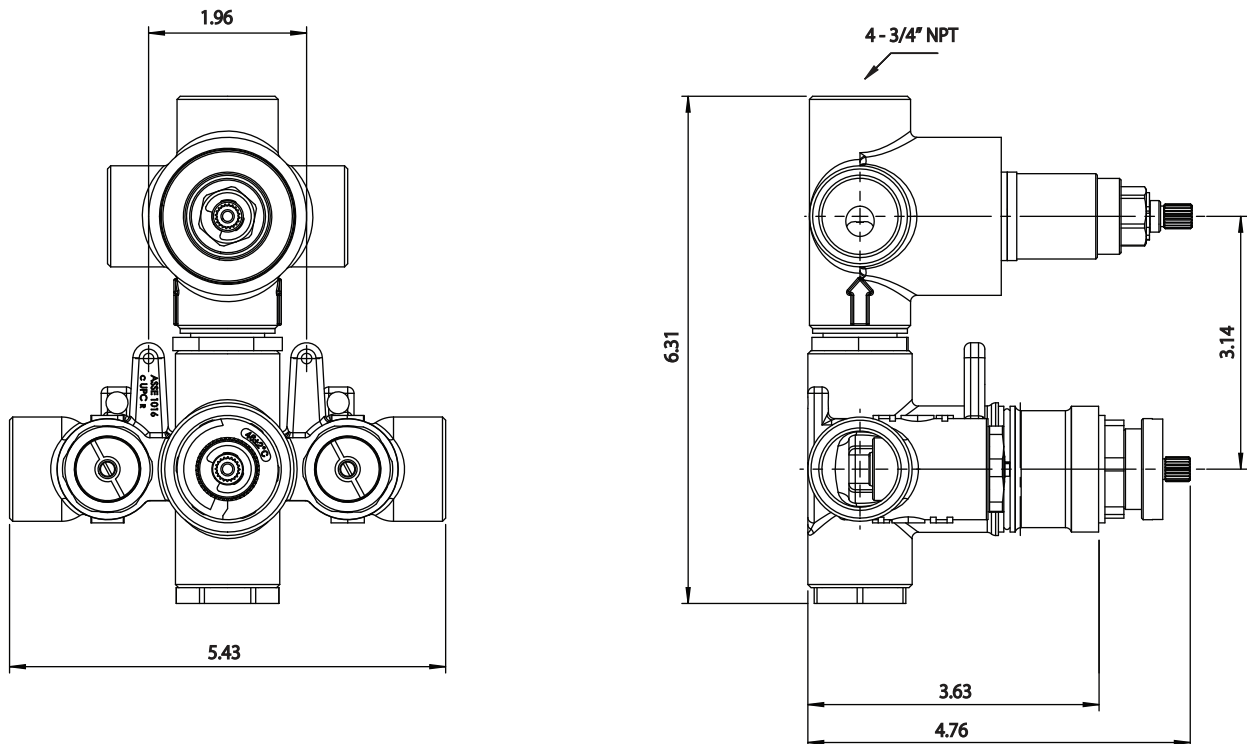
Legislation Compliance



ZeroDrip Technology



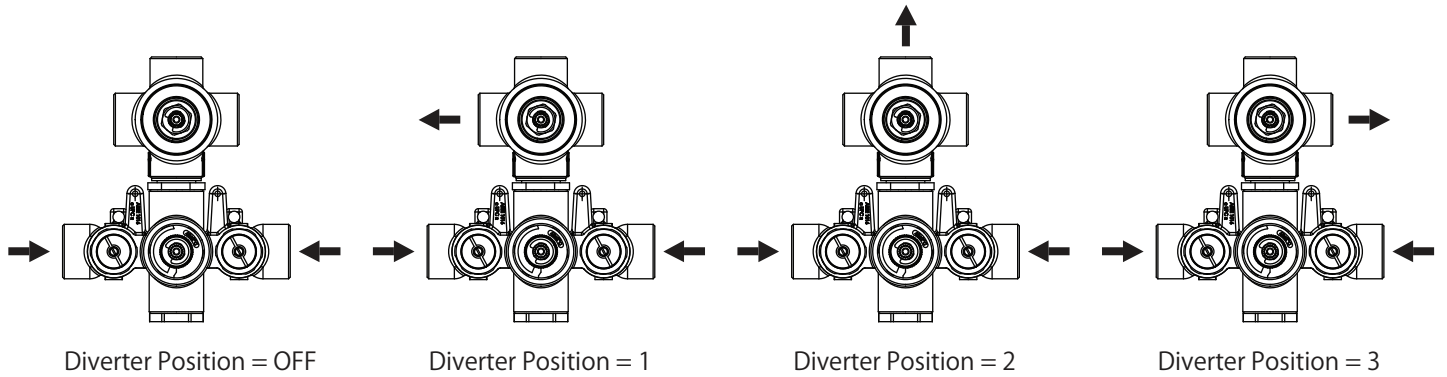
Technical Diagram



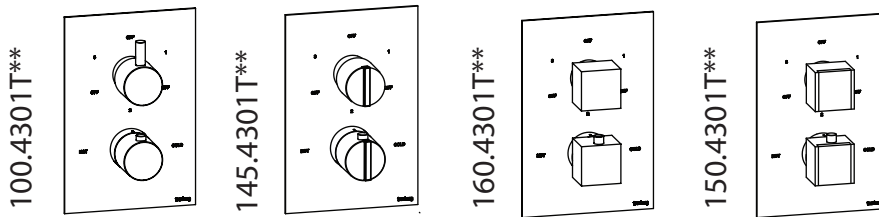
TVH.4301 | 3/4" Thermostatic Valve With 3-Way Diverter & Integrated Volume Control Page 2 of 2



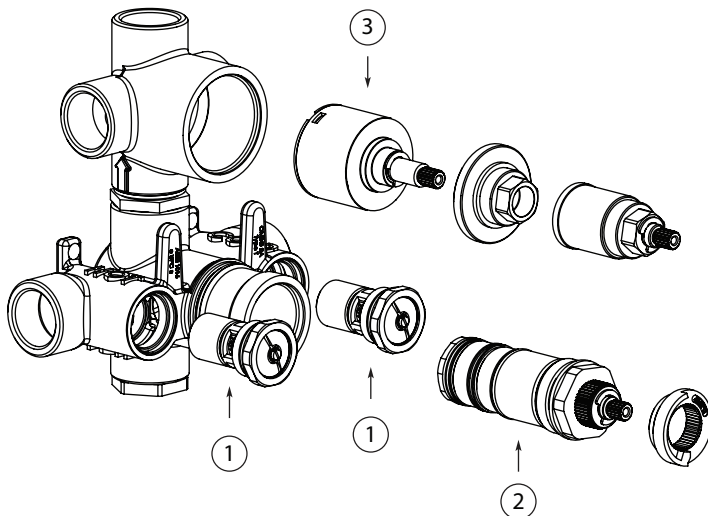
Water Diversion Diagram



Trims



Explosion Diagram



Part Number Guide:

- ① Integral Stop Kit [Pair] - TVH.4201-1987
- ② Therm. Cartridge - TVH.4201-9853
- ③ Diverter Cartridge - TVH.4301-1991

Extension Kits

- a Thermostatic Handle Extension - TVH.E185CP - Chrome
TVH.EA07BN - Brushed Nickel
- b Diverter Handle Extension - TVH.E137