



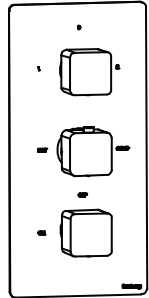
196.4501 | Three Output 3/4" Thermostatic Valve & Trim

SPECIFICATIONS:

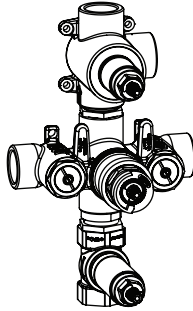
- Turn middle knob to control temperature.
- Turn top knob to divert water flow between outlets 1 & 2.
- Turn bottom to control water flow of outlet 3.
- Thermostatic Valve Flow Rate - 13.0 GPM @ 60 PSI
- Extension Available - TVH.4401E**

FAST SHIP FINISHES :

- Chrome - 196.4501CP / Brushed Nickel - 196.4501BN



Trim
[196.4501T**]



Valve
[TVH.4501]



A separate volume control is **not** needed to turn water supply off. Volume control functionality is integrated within this valve.

Belgian Mirror Finish



Legislation Compliance

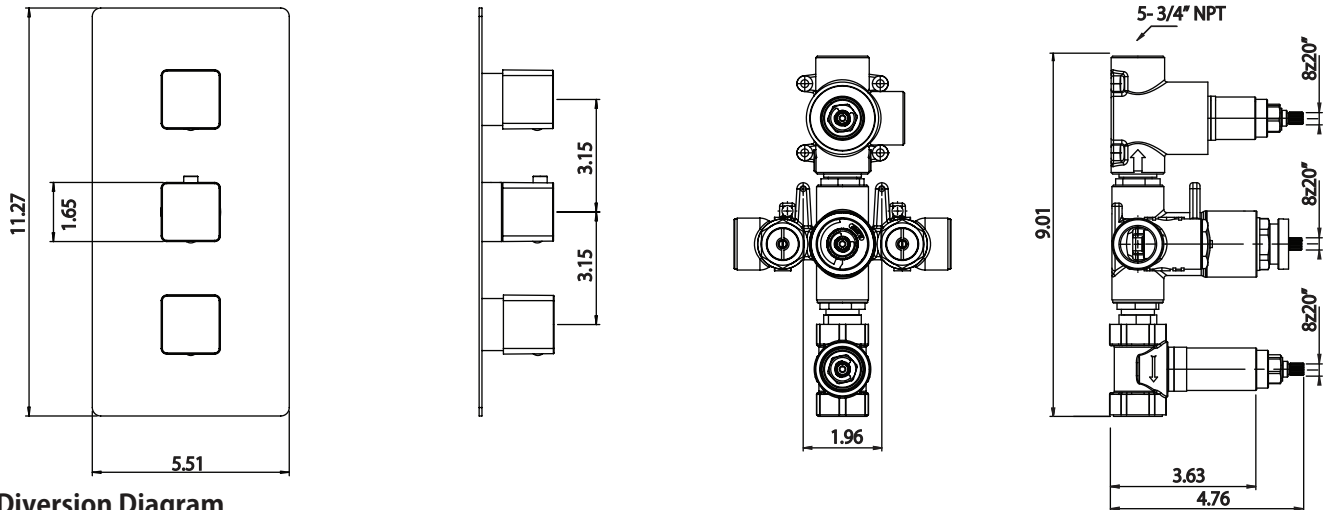


ZeroDrip Technology



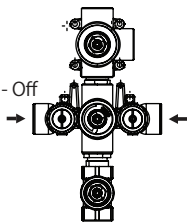
See Spec Sheet For TVH.4501 For Detailed Information On Valve.

Technical Diagram

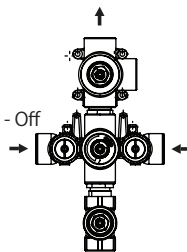


Water Diversion Diagram

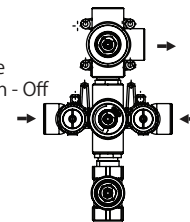
Top Diverter
Position - Off
Bottom Volume
Control Position - Off



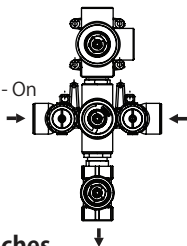
Top Diverter
Position - 2
Bottom Volume
Control Position - Off



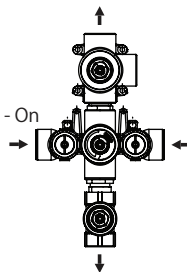
Top Diverter
Position - 1
Bottom Volume
Control Position - Off



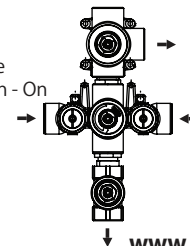
Top Diverter
Position - Off
Bottom Volume
Control Position - On



Top Diverter
Position - 2
Bottom Volume
Control Position - On



Top Diverter
Position - 1
Bottom Volume
Control Position - On



Critical Dimensions in Inches

www.isenbergfaucets.com

TVH.4501 | Three Output 3/4" Thermostatic Valve Page 1 of 2



SPECIFICATIONS:

- Turn middle knob to control temperature.
- Turn top knob to divert water flow between outlets 1 & 2.
- Turn bottom knob to control water flow of outlet 3.
- Thermostatic Valve Flow Rate - 13.0 GPM @ 60 PSI

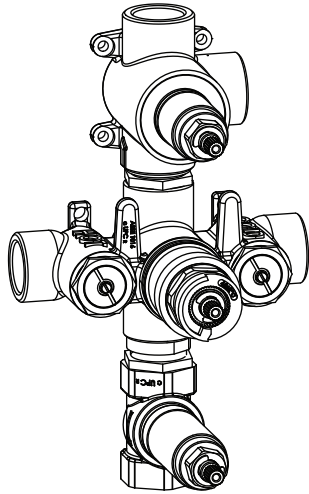
STANDARDS:

- ASME A112.18.1 / CSA B125.1

WARRANTY:

- Limited lifetime warranty to the original consumer purchaser against finish and workmanship

!
A separate volume control is **not** needed to turn water supply off. Volume control functionality is integrated within this valve.



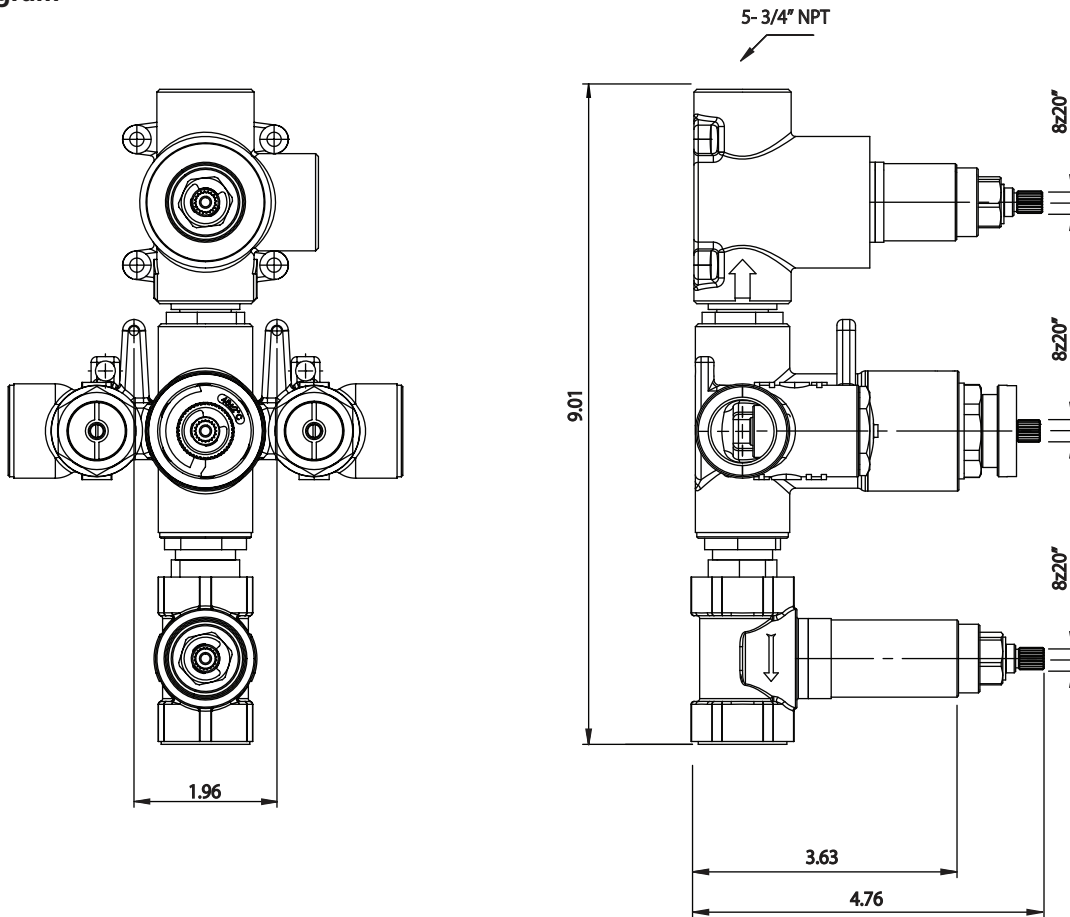
Legislation Compliance



ZeroDrip Technology



Technical Diagram



TVH.4501 | Three Output 3/4" Thermostatic Valve Page 2 of 2



Water Flow Diagram

