



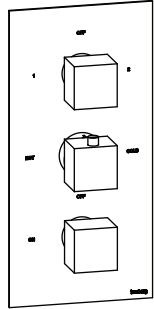
160.4501 | Three Output 3/4" Thermostatic Valve & Trim

SPECIFICATIONS:

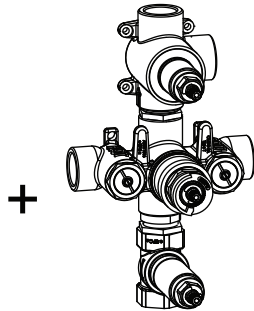
- Turn middle knob to control temperature.
- Turn top knob to divert water flow between outlets 1 & 2.
- Turn bottom to control water flow of outlet 3.
- Thermostatic Valve Flow Rate - 13.0 GPM @ 60 PSI
- Extension Available - TVH.4401E**

FAST SHIP FINISHES :

- Chrome - 160.4501CP / Brushed Nickel - 160.4501BN



Trim
[160.4501T**]



Valve
[TVH.4501]

!
A separate volume control is **not** needed to turn water supply off. Volume control functionality is integrated within this valve.

Belgian Mirror Finish



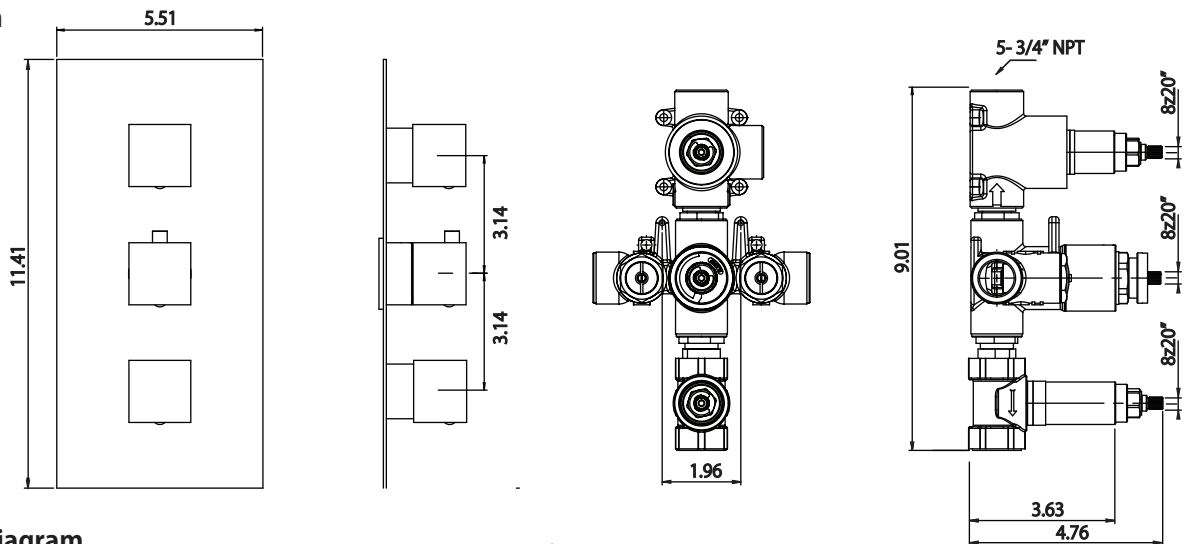
Legislation Compliance



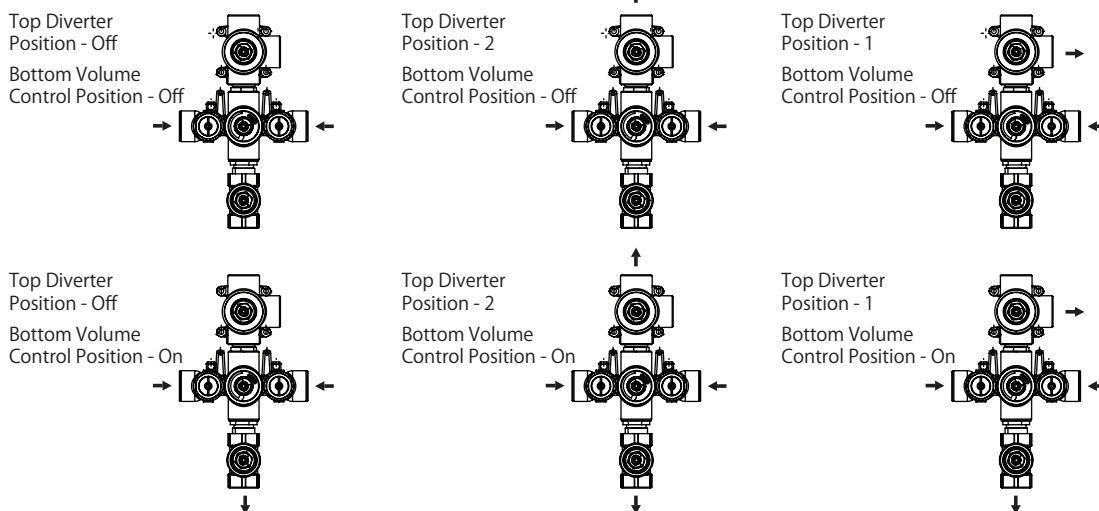
ZeroDrip Technology



Technical Diagram



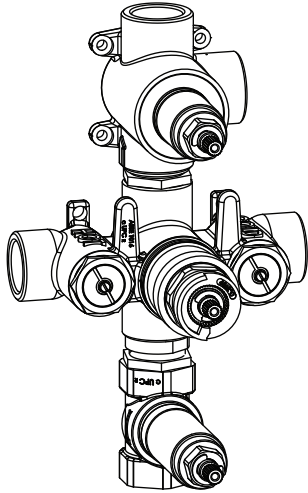
Water Diversion Diagram



Critical Dimensions in Inches - Ver 2.53

www.isenbergfaucets.com

TVH.4501 | Three Output 3/4" Thermostatic Valve Page 1 of 2



SPECIFICATIONS:

- Turn middle knob to control temperature.
- Turn top knob to divert water flow between outlets 1 & 2.
- Turn bottom knob to control water flow of outlet 3.
- Thermostatic Valve Flow Rate - 13.0 GPM @ 60 PSI

STANDARDS:

- ASME A112.18.1 / CSA B125.1

WARRANTY:

- Limited lifetime warranty to the original consumer purchaser against finish and workmanship

! A separate volume control is **not** needed to turn water supply off. Volume control functionality is integrated within this valve.

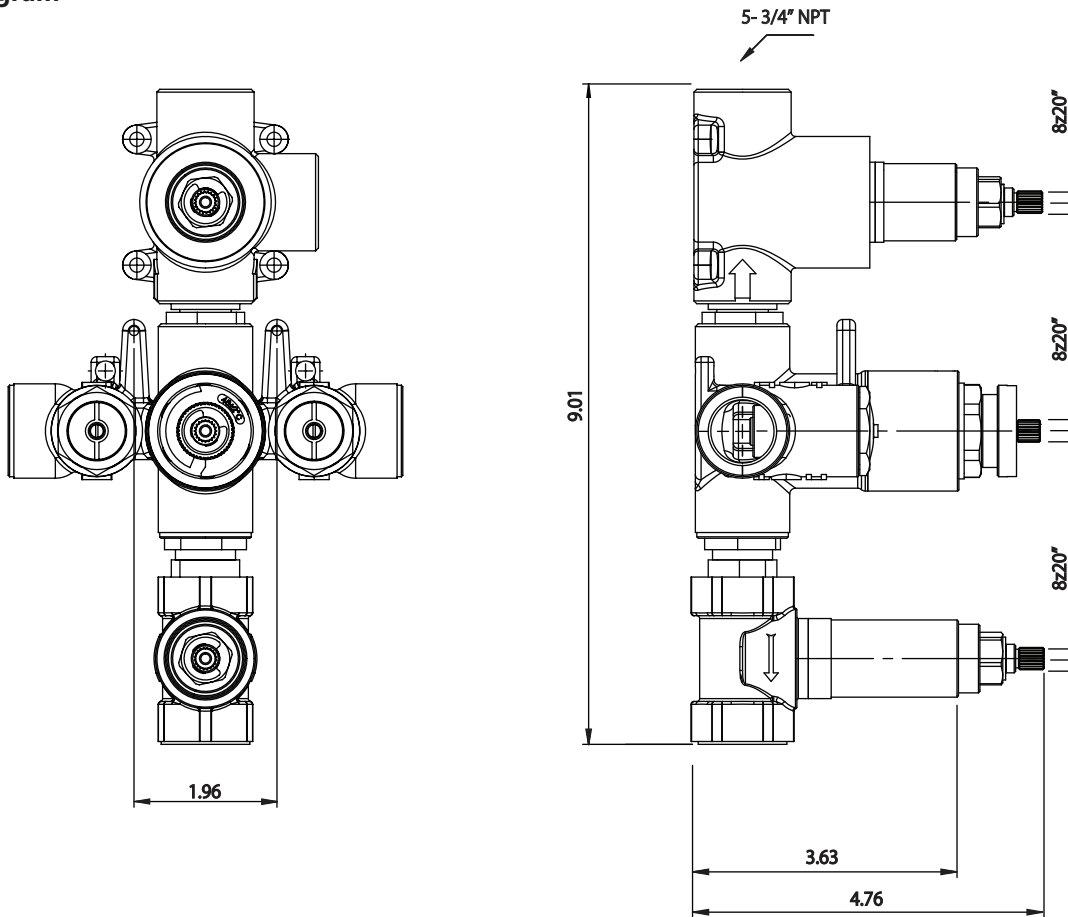
Legislation Compliance



ZeroDrip Technology



Technical Diagram



TVH.4501 | Three Output 3/4" Thermostatic Valve Page 2 of 2



Water Flow Diagram

