

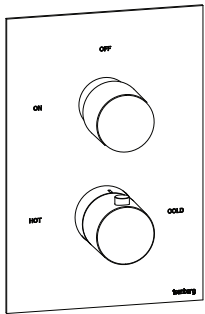
100.4101 | 3/4" Thermostatic Valve With Volume Control & Trim

SPECIFICATIONS:

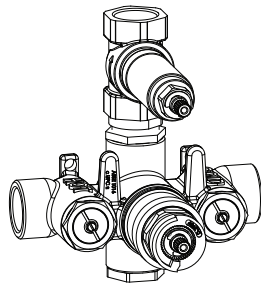
- Turn bottom handle to control temperature
- Turn top handle to control volume
- Includes Thermostatic valve (TVH.4101) w/ service stops
- Thermostatic Valve Flow Rate - 13.0 GPM @ 60 PSI
- Extension Available - TVH.4101E**

FAST SHIP FINISHES :

- Chrome - 100.4101CP, Brushed Nickel - 100.4101BN



Trim
[100.4101T**]



Valve
[TVH.4101]

Belgian Mirror Finish



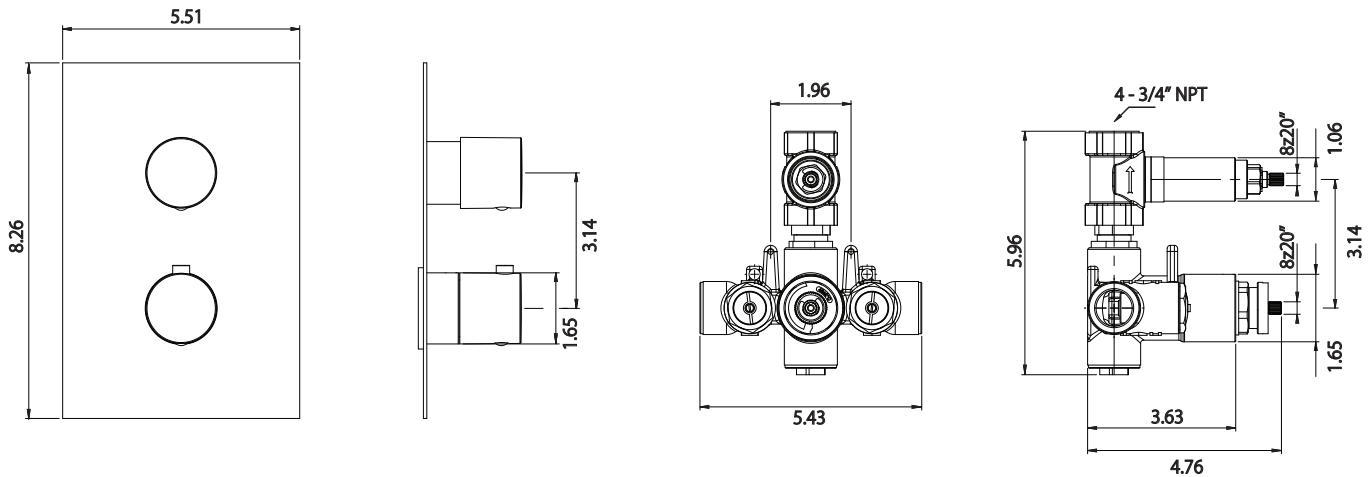
Legislation Compliance



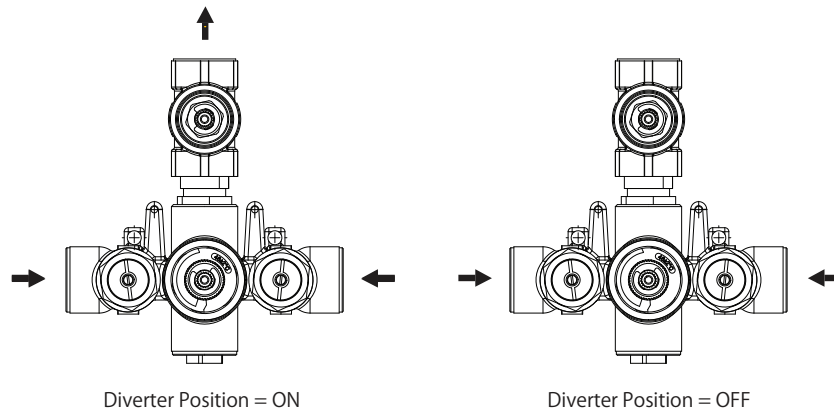
ZeroDrip Technology



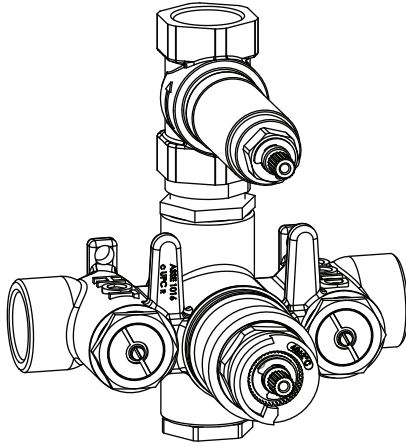
Technical Diagram



Water Diversion Diagram



TVH.4101 | 3/4" Thermostatic Valve With Volume Control Page 1 of 2



SPECIFICATIONS:

- Turn bottom knob to control temperature.
- Turn top knob to control water flow.
- Thermostatic Valve Flow Rate - 13.0 GPM @ 60 PSI

STANDARDS:

- ASME A112.18.1 / CSA B125.1

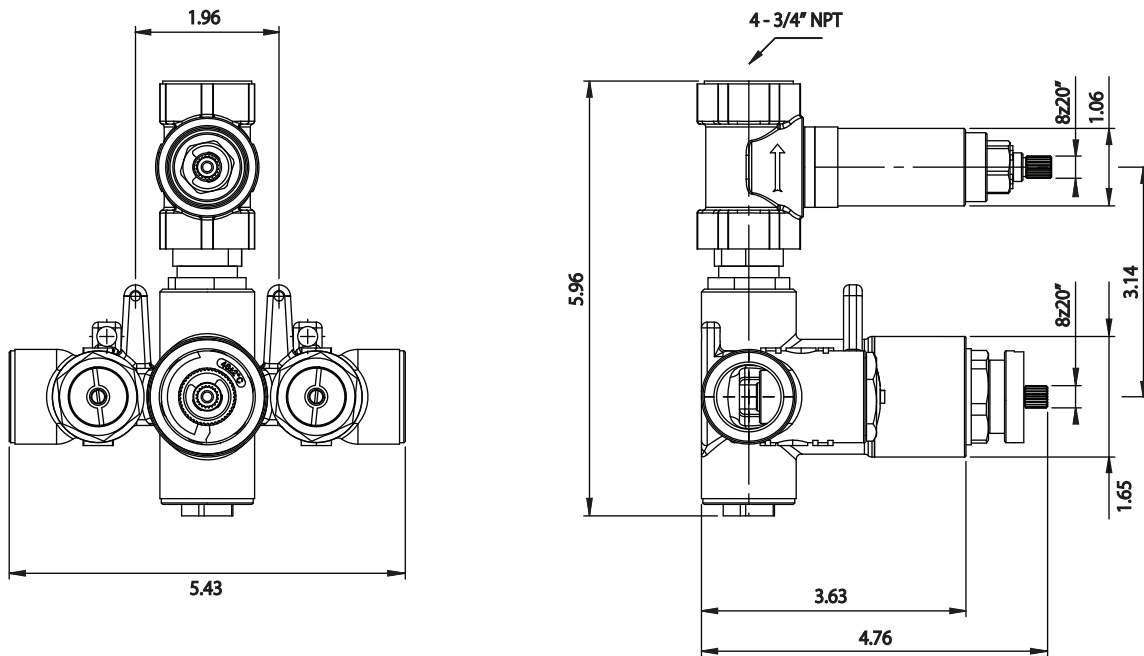
Legislation Compliance



ZeroDrip Technology



Technical Diagram



TVH.4101 | 3/4" Thermostatic Valve With Volume Control Page 2 of 2



Water Flow Diagram

