



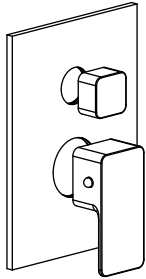
# 196.2750 | 3/4" Thermostatic Valve With 3-Way Diverter And Integrated Volume Control

## SPECIFICATIONS:

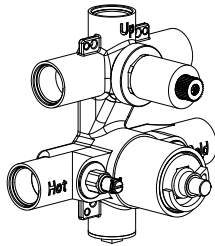
- Includes Thermostatic Valve (TVL.2750\*\*) w/ service stops
- Top handle diverts water between 3 outputs.
- Top handle has Integrated Volume Control
- Bottom handle controls temperature.
- Thermostatic Valve Flow Rate - 9.0 GPM @ 60 PSI
- No Shared Ports

## FAST SHIP FINISHES:

- Chrome - 196.2750CP / Brushed Nickel - 196.2750BN



+



Trim  
[ 196.2750T\*\* ]

Valve  
[ TVL.2750\*\* ]

\*\* Denotes Finish (CP Or BN)

CALGreen Compliant



Legislation Compliance



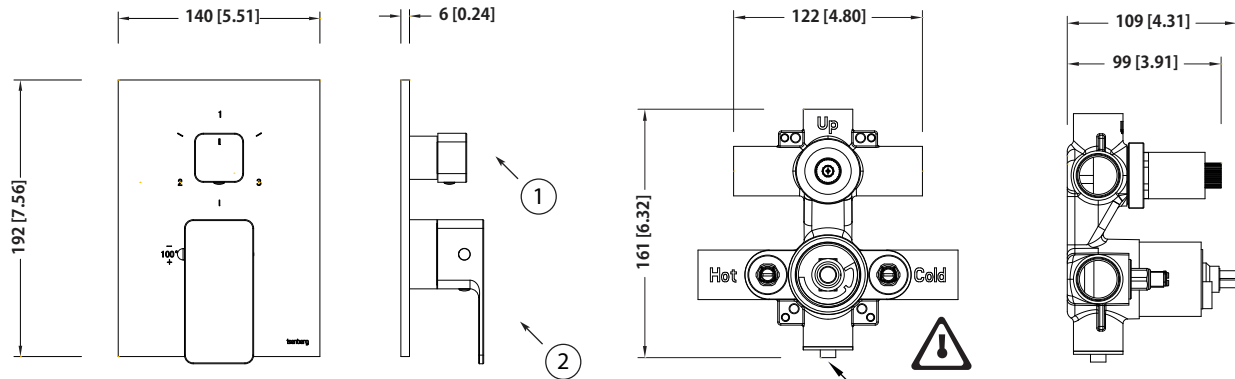
ZeroDrip Technology



**!** A separate volume control is **not** needed to turn water supply off. Volume control functionality is integrated within this valve.

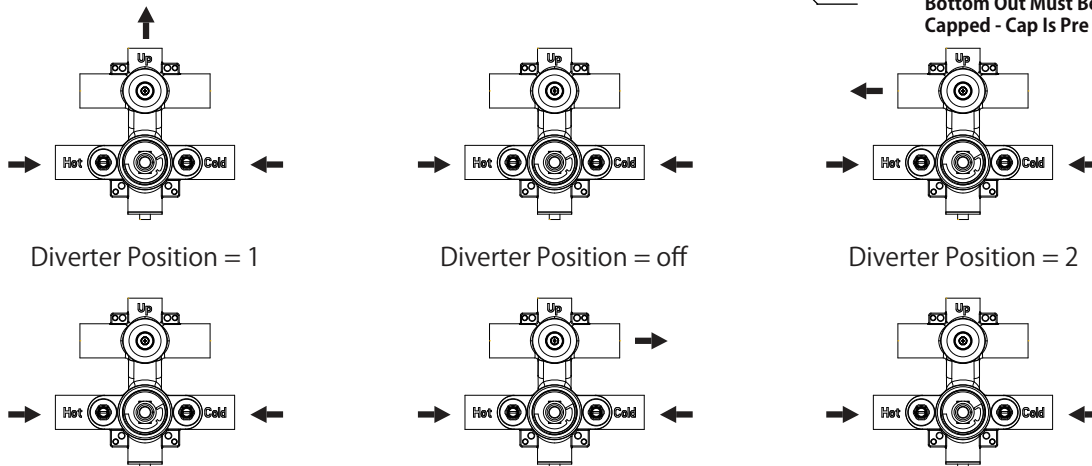
See Spec Sheet For TVL.2750\*\* For Detailed Information On Valve.

## Technical Diagram



Bottom Out Must Be Capped - Cap Is Pre Installed.

Water Diversion Diagram



Diverter Position = off

Diverter Position = off

Diverter Position = off

Critical Dimensions in mm [Inches]

www.isenbergfaucets.com