

180.2410 | 3-Hole Deck Mounted Roman Tub Filler

SPECIFICATIONS:

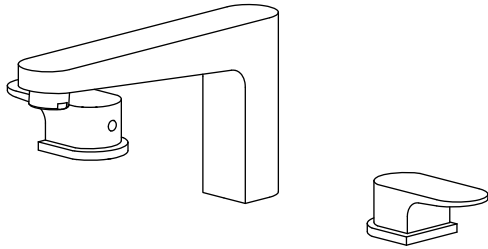
- Solid Brass construction - includes valve
- Three Hole Installation
- Ceramic disc cartridge allows both volume and temperature control
- Flow Rate = ~ 7 GPM @ 60 PSI

FINISHES :

- Chrome - 180.2410CP / Brushed Nickel - 180.2410BN

STANDARDS:

- ASME A112.18.1 / CSA B125.1



Legislation Compliance

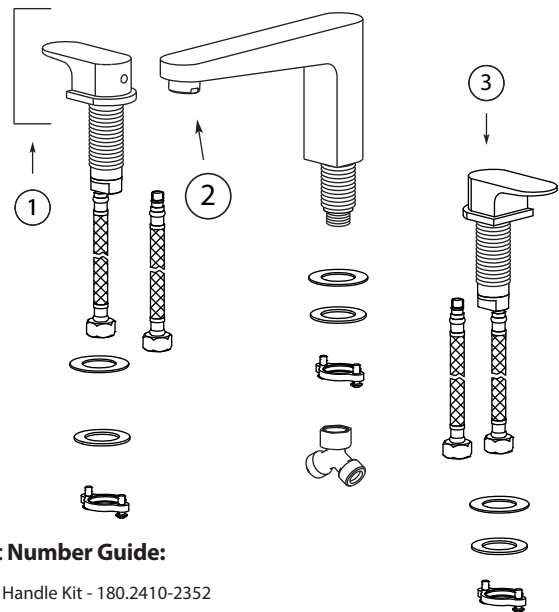
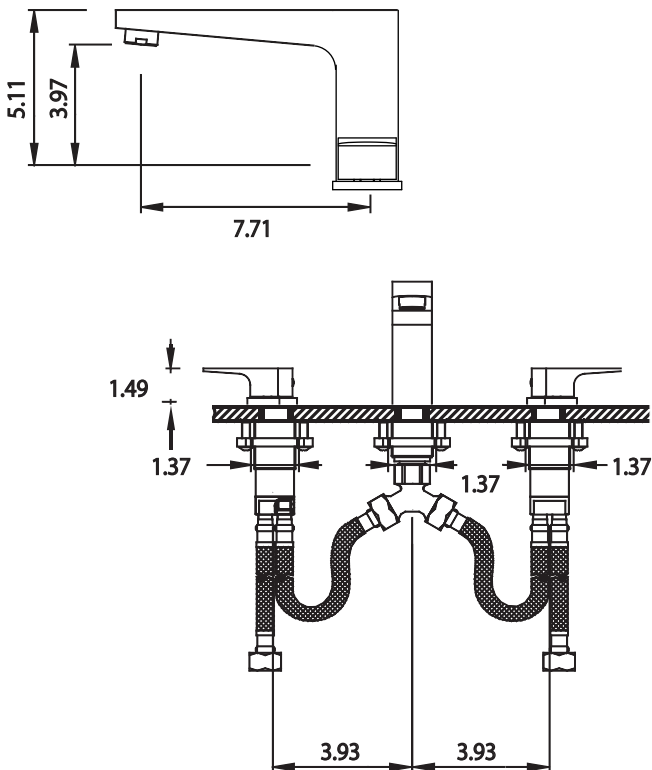


ZeroDrip Technology



Technical Diagram

Exploded View



Part Number Guide:

- ① Handle Kit - 180.2410-2352
- ② Aerator - 100.1170-2364
- ③ Cartridge - 5458-H [Hot]
- 5458-C [Cold]