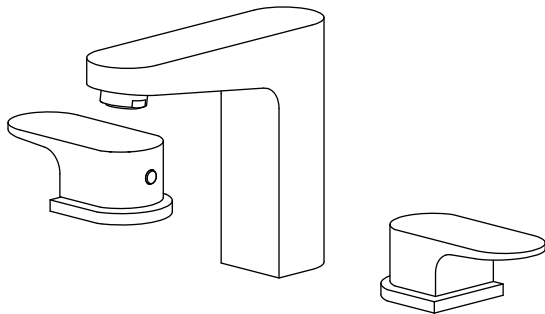


180.2000 | 8" Widespread 3-Hole Faucet



SPECIFICATIONS:

- Solid Brass construction
- Three Hole Installation
- 1.2 GPM Flow Rate @ 60 PSI

FINISHES :

- Chrome - 180.2000CP, Brushed Nickel - 180.2000BN

STANDARDS:

- ASME A112.18.1 / CSA B125.1, NSF-61



Drain Included

LowFlow Capable



Legislation Compliance



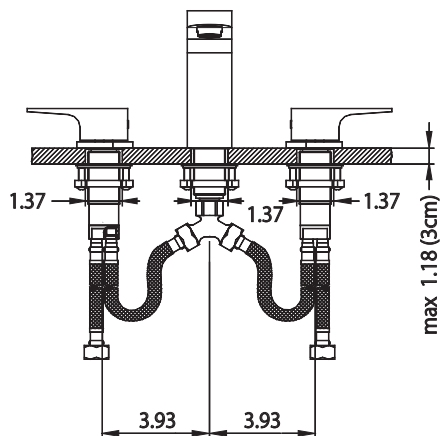
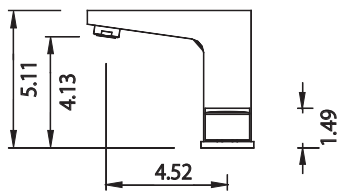
Low Lead Compliant



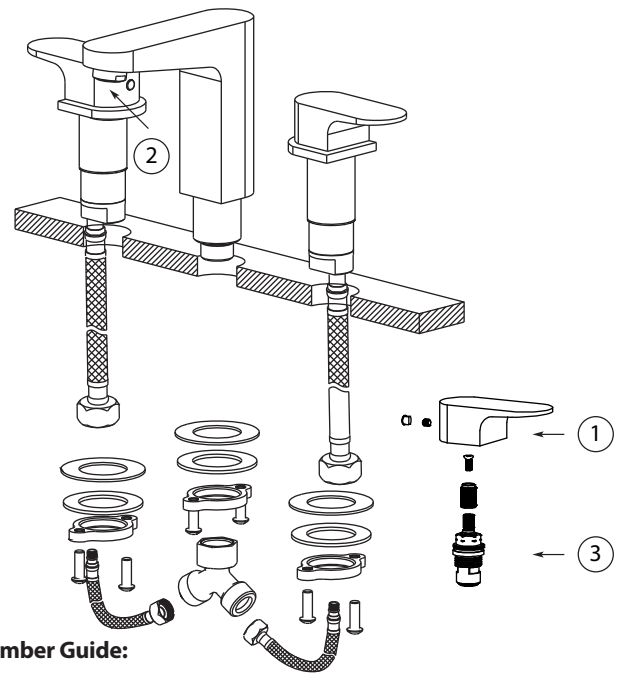
ZeroDrip Technology



Technical Diagram



Exploded View



Part Number Guide:

- ① Handle Kit - 180.2000-2352
- ② Aerator - 180.2000-2364
- ③ Cartridge - 5458-H [Hot]
- 5458-C [Cold]