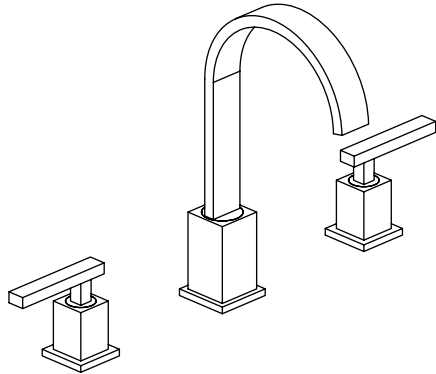




150.2410 | 3-Hole Roman Tub Faucet



SPECIFICATIONS:

- Solid Brass construction
- Three Hole Installation
- 7.0 GPM Flow Rate @ 60 PSI
- Ceramic disc cartridge allows volume control
- Standard 1 3/8" hole diameter

FAST SHIP FINISHES :

- Chrome - 150.2410CP

STANDARDS:

- ASME A112.18.1 / CSA B125.1

Legislation Compliance



ZeroDrip Technology



Technical Diagram

