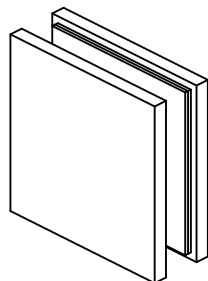


10.FGC.4003 | Glass Clamp



PRODUCT SPECIFICATIONS:

- Solid Brass Construction
- Fixed Mount Clamp for Wall, Glass or Ceiling
- Fits 3/8" to 1/2" Thick Glass
- Includes: Clamp body, glazing gaskets, mounting screws and fabrication template.

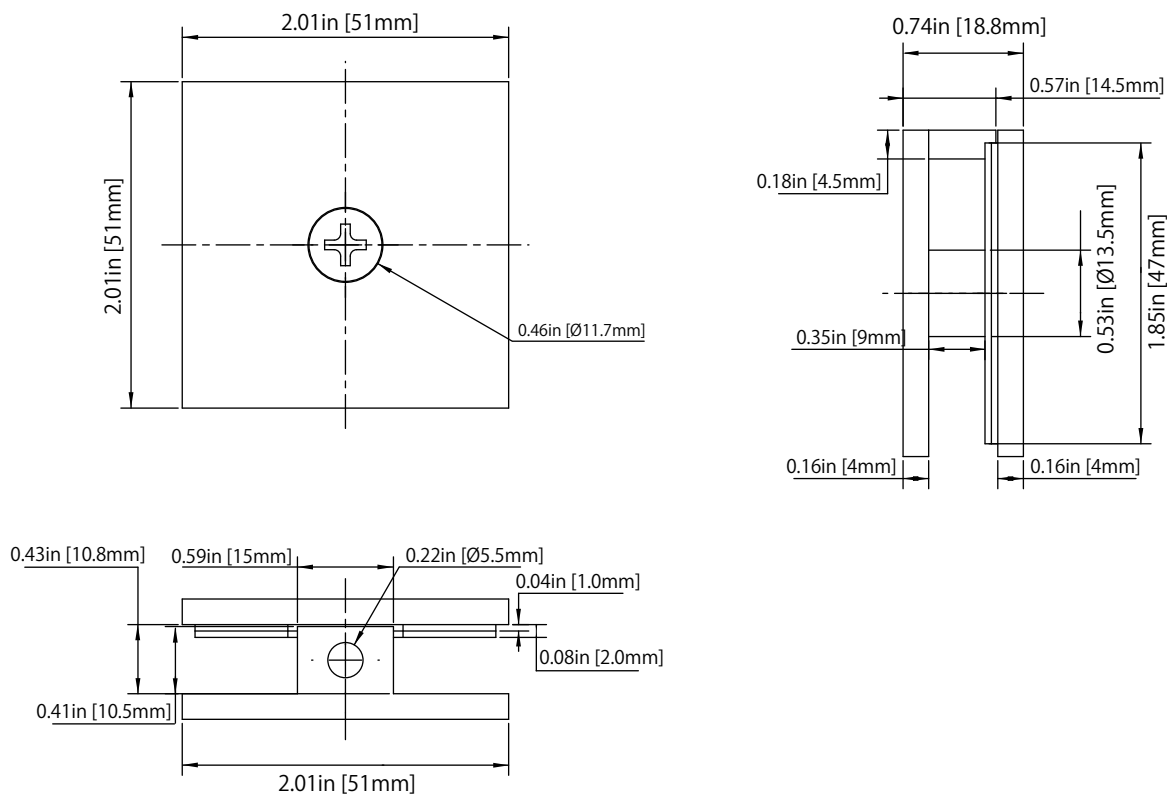
GASKET SPECIFICATIONS :

- For 3/8"~10mm Glass: Use One Thick Gasket On Each Side
- For 1/2"~12mm Glass: Use One Thin Gasket On Each Side

GLASS INFO :

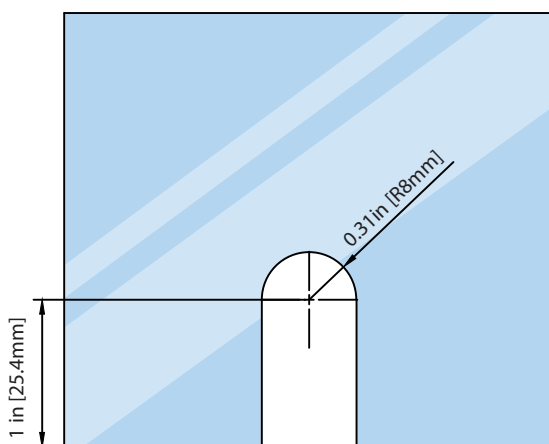
- Use on tempered safety glass only. Avoid using power tools to prevent damage to Clamp body.

Technical Diagram



GLASS CUTOUT DETAILS :

Glass Clamp
Item No: 10.FGC.4003



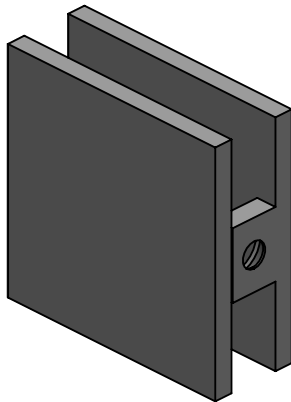
Tolerance : ± 0.1
Glass Thickness: 3/8in [~10mm] to 1/2in [~12mm]

CARE GUIDELINES:

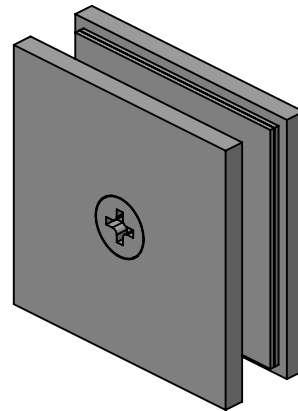
Clean surfaces by wiping them with a soft, damp cloth or sponge, and ensure thorough rinsing with warm water right after applying any cleaning solution.

Only utilize a mild cleaner. Avoid abrasive products, sponges, or wire scrub brushes when cleaning your hardware product.

FRONT VIEW



REAR VIEW



FIT REPRESENTATION

