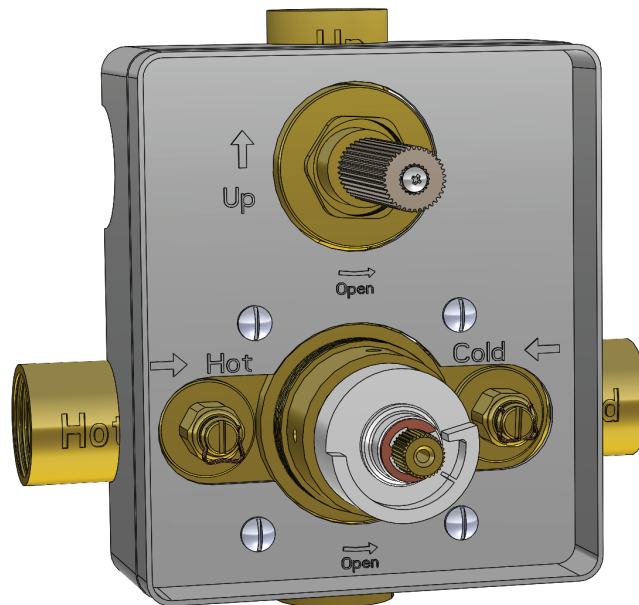




## Installation Manual - TVL.2750

### 3/4" Thermostatic Valve With 3-Way Diverter & Volume Control

Use With Trims Ending in \***2750**



#### BEFORE YOU BEGIN

- You must observe all local plumbing laws and codes.
- Do not install this valve if it does not meet local plumbing codes.
- Shut off the main water supply.

## TABLE OF CONTENTS

• Operating Specifications . . . . .	1
• Valve Installation And Tolerance	
• Cut-Out Dimensions . . . . .	1
• <b>Rough In Specification</b> . . . . .	2
• Connecting The Supply & Output Lines . . . . .	3
• Trim Markings / Water Output . . . . .	5
• Using The Supply Stops . . . . .	6
• Flushing The Valve . . . . .	6
• Installing The Trim . . . . .	7
• Replacing Diverter Cartridge . . . . .	9
• Replacing The Thermostatic Cartridge . . . . .	10
• Installing The Extension Kit . . . . .	11

## NOTICE TO HOMEOWNER

- We recommend that this product is installed by a qualified professional plumber.
- Please check this product immediately to ensure that it has not been damaged and is complete. Before installation, please make sure this product is the correct model and you have all the parts required for installation and use.
- Please flush the water system to ensure that no metal swarf, solder, and other impurities can enter the product.
- Turn off water supply before commencing work.
- Please read these instructions carefully and retain for future reference.

## OPERATING SPECIFICATIONS

### WATER TEMPERATURE



This product is to be used with water at a temperature range of 40°F - 120°F ONLY!

### WATER PRESSURE



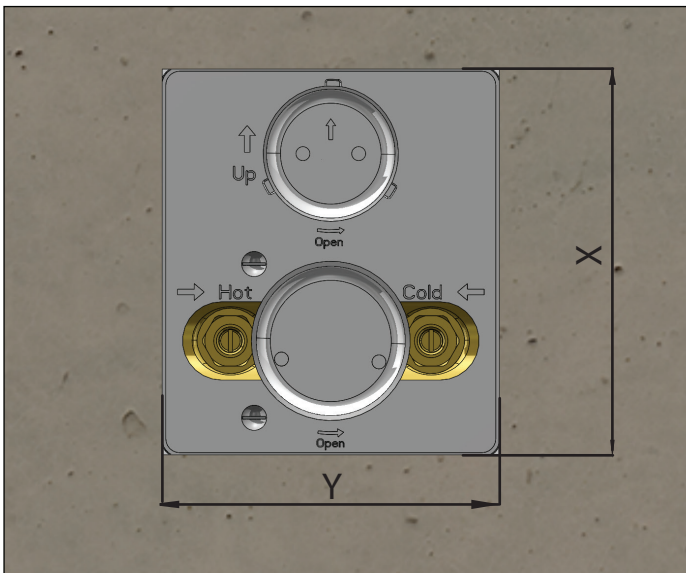
This product is to be used with a water pressure range of 15 PSI to 80 PSI ONLY

If water pressure is greater than 80 PSI install a pressure reducing valve (PRV)

This valve meets or exceeds ANSI A112.18.1 and ASSE 1016

This valve is certified by IAPMO

## CUT OUT DIMENSIONS



Isenberg's TVL valves comes with a black pre-attached mud-guard. This mud-guard is not to be removed or discarded. Its purpose is to guide the installation professional on the proper cut-out dimensions of the drywall.

Wall Cut Out Dimensions  
From **Center Point** of Valve:

**TVL.2750**

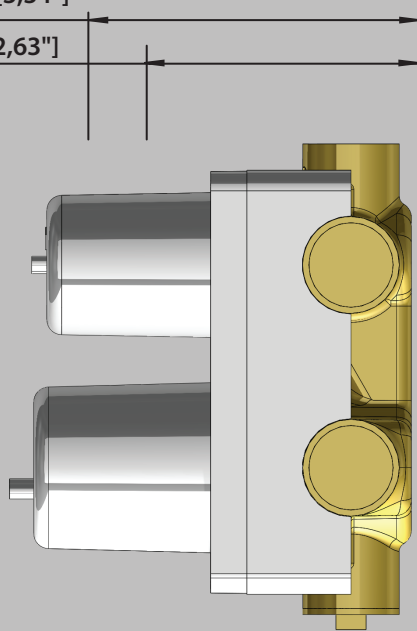
X = 138mm / 5.43"

Y = 121mm / 4.76"

**ROUGH IN SPECIFICATION**

Maximum = 85mm [3,34"]

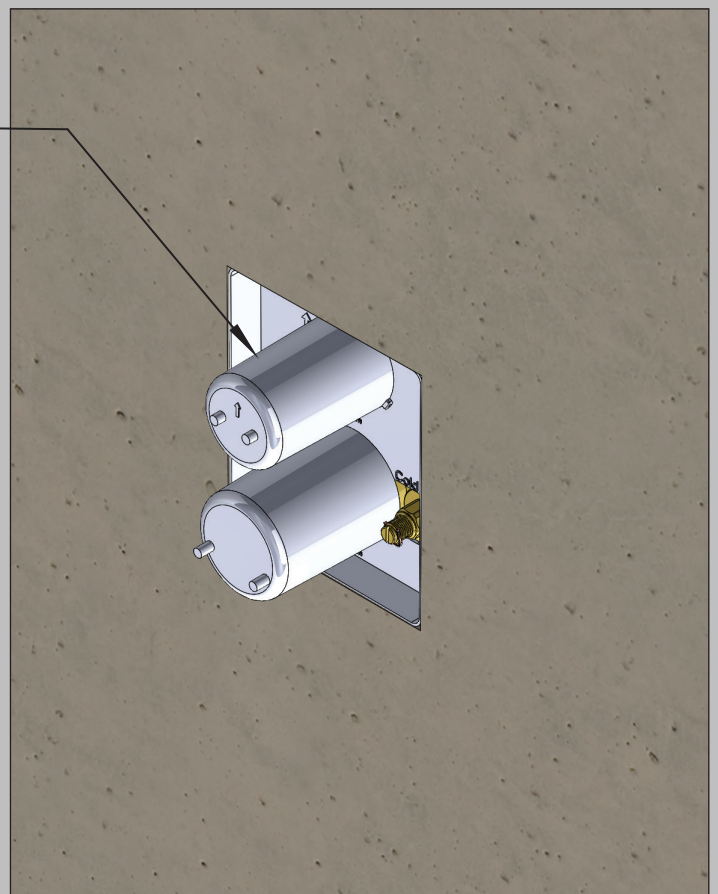
Minimum = 67mm [2,63"]



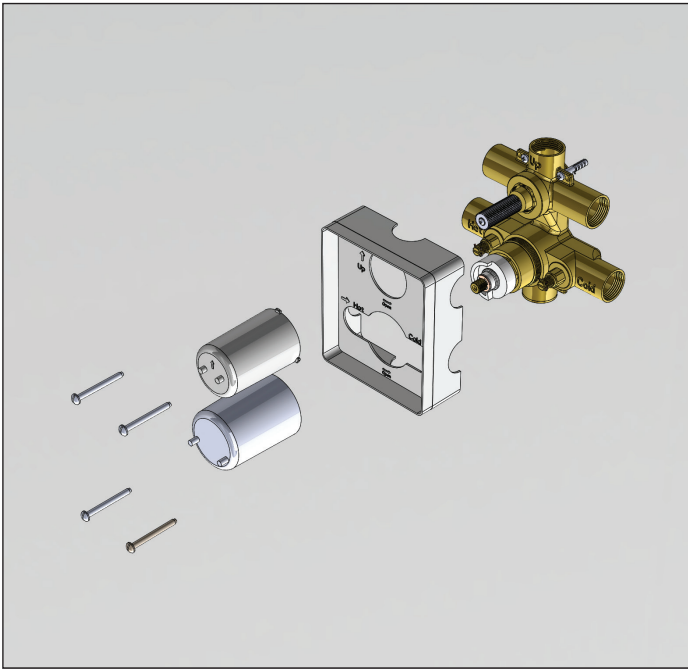
The distance between back of the valve to the finished tile surface should be between 2.63" and 3.34" inches.

Finished tile should fall between Min & Max.

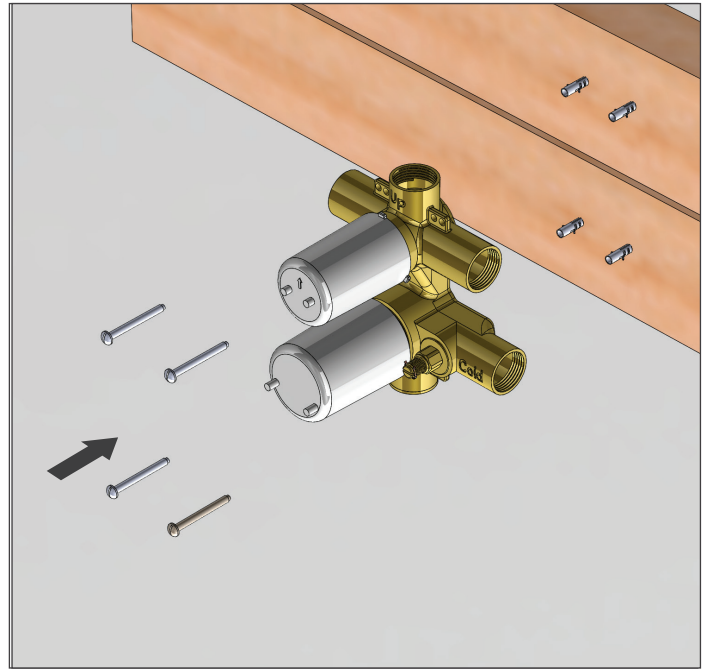
If valve is installed too deep into the wall, extensions are available.



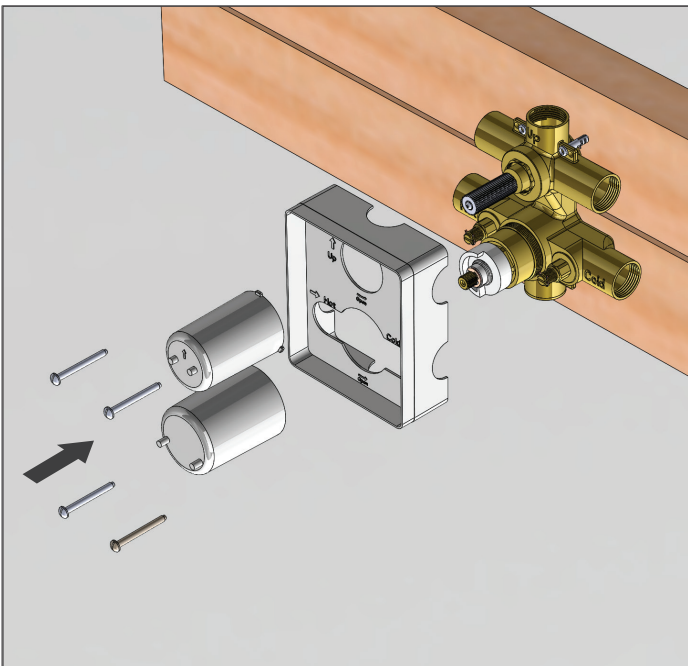
**CONNECTING THE SUPPLY & OUTPUT LINES**



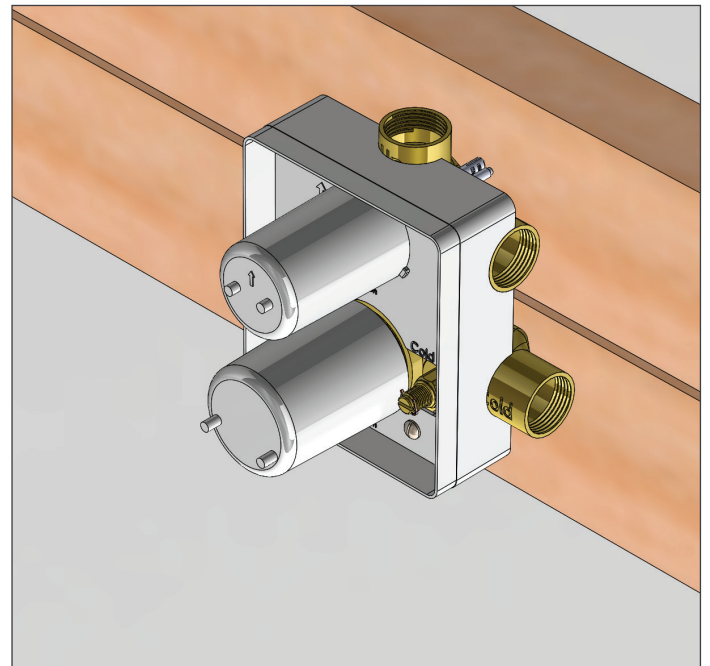
Identify mounting holes on valve



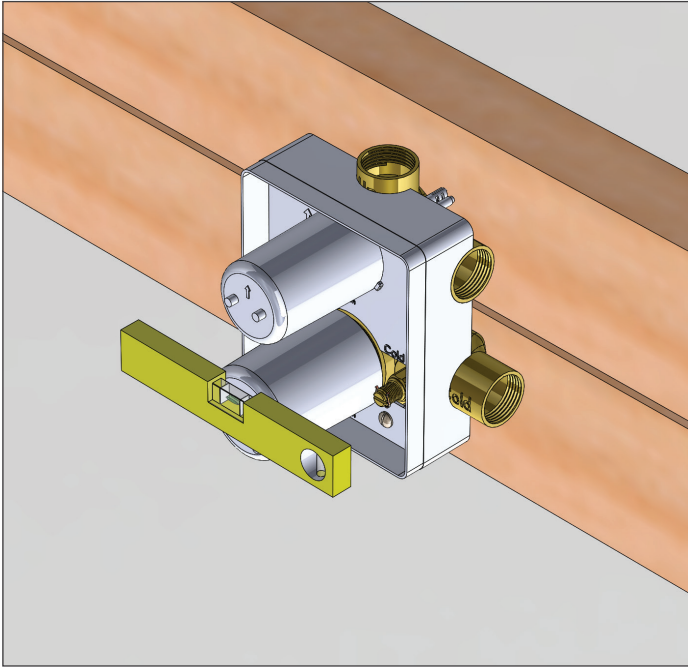
Secure valve to back wall



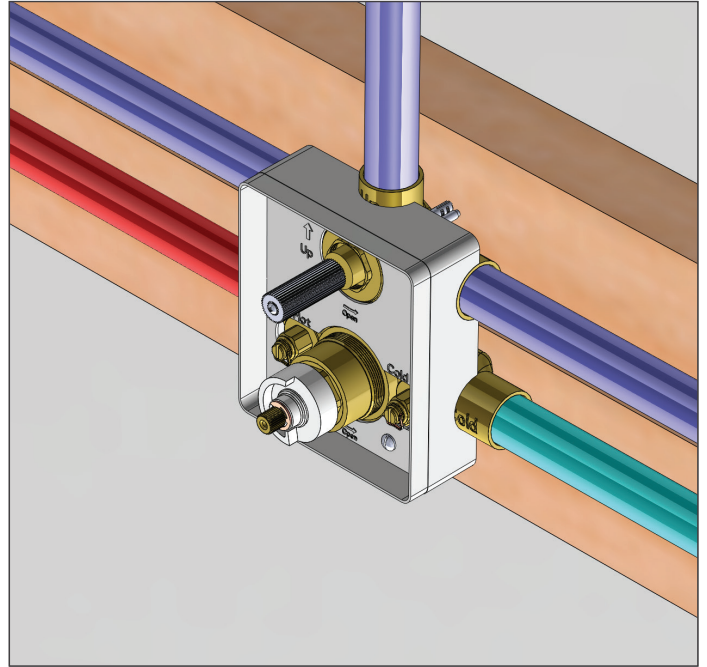
Re-attach mud guard



**CONNECTING THE SUPPLY & OUTPUT LINES**

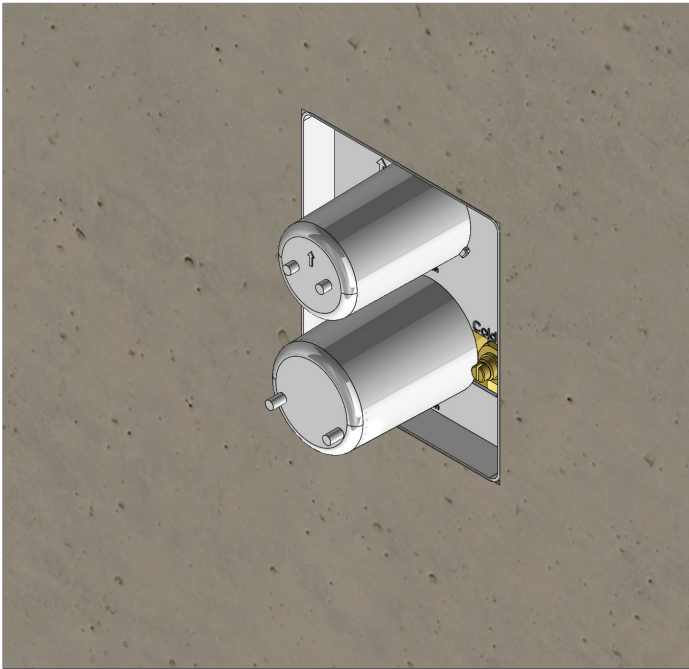


Level Valve



Attach Hot/Cold Supply Lines

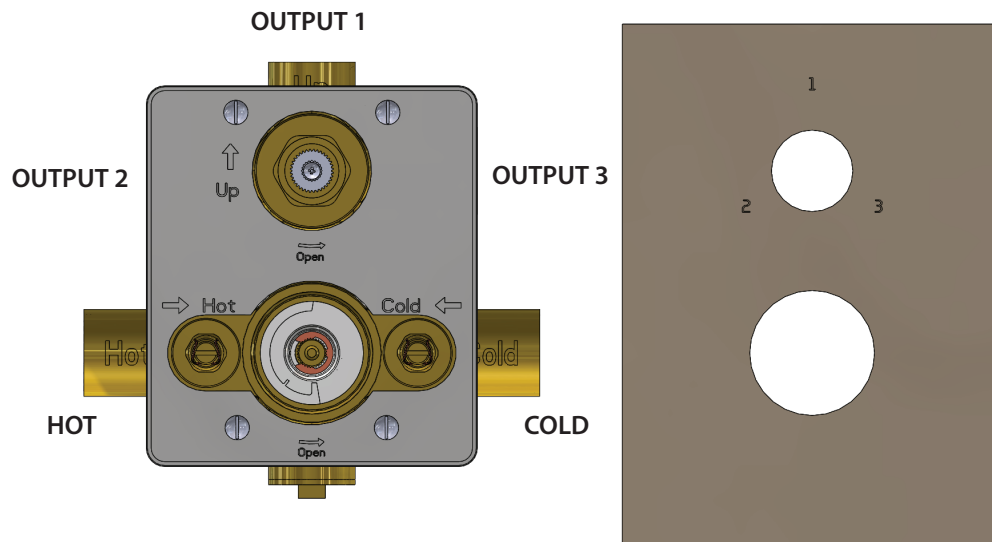
## FINISH TILE POSITION



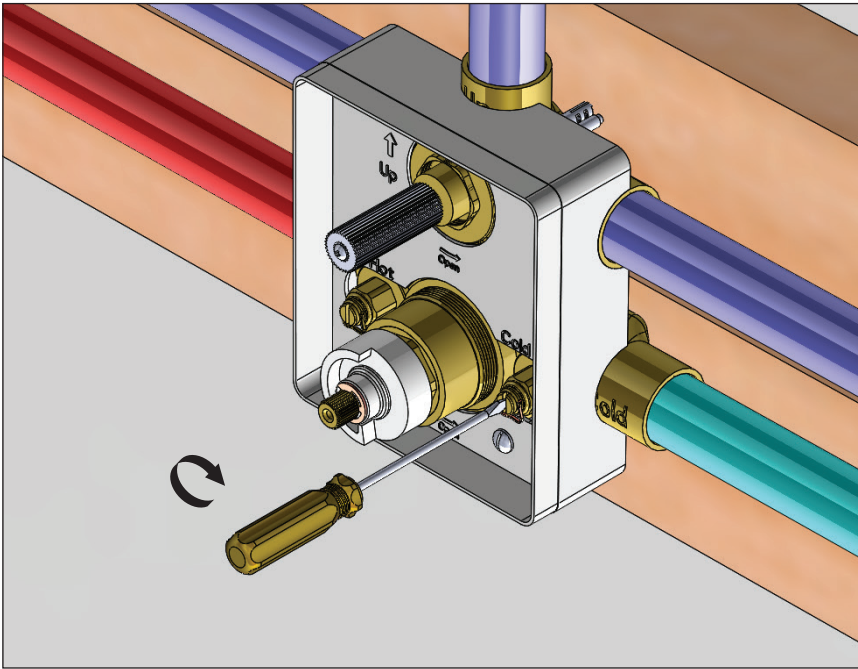
Install Drywall and Tile. Ensure finished tile surface is between the min and max marks on the mud guards.

## TRIM MARKINGS / WATER OUTPUT

The below diagram shows the markings on the trim plate and the outputs on the valve. This will help the installation professional to connect the appropriate accessories to the valve output ports



## USING THE SUPPLY STOPS

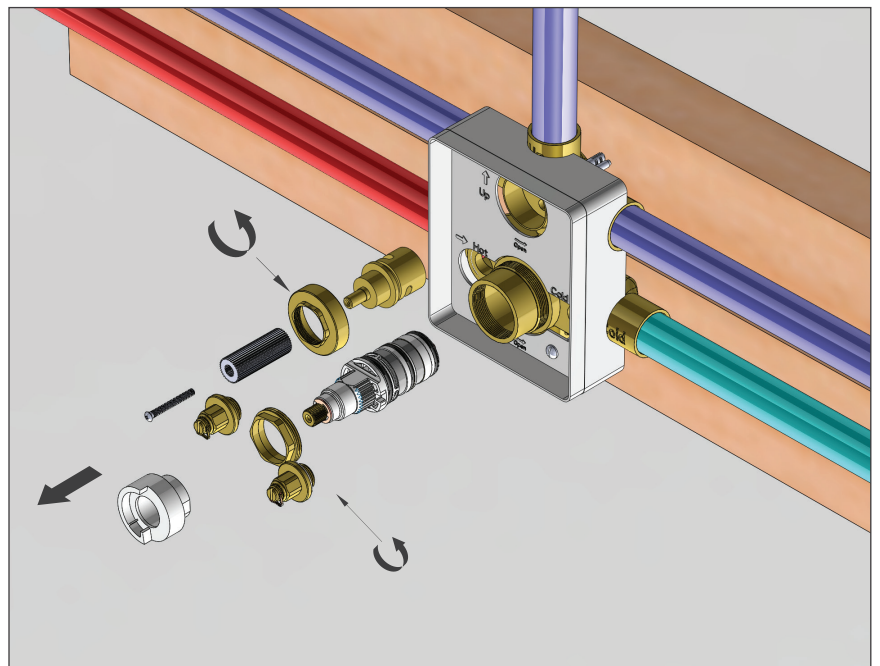


Turn Clock-wise 7 times to stop water flow.

## FLUSHING THE VALVE

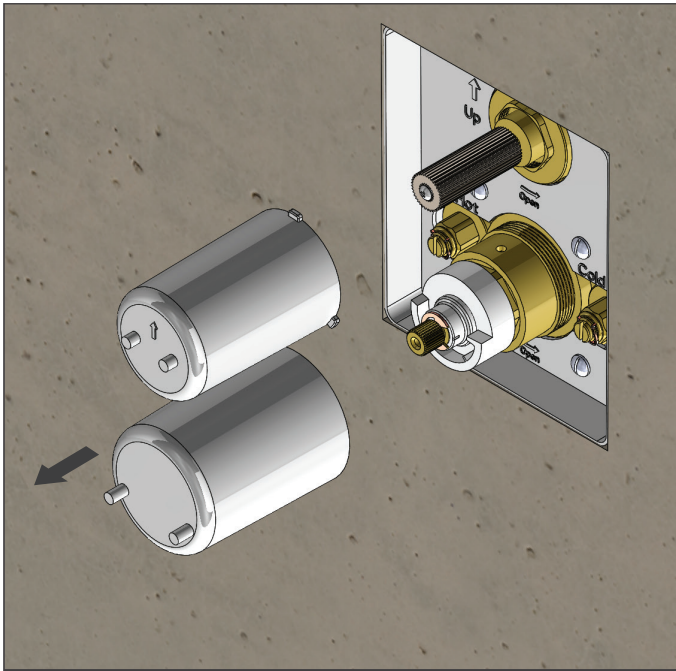
In order to clear dirt in the lines - you must flush the valve before the wall is closed and water is turned on for the first time.

- 1) Remove the 2 supply stops by turning with a spanner
- 2) Remove thermostatic cartridge by turning with a spanner
- 3) Remove volume control cartridge by turning with a spanner
- 4) Turn on water supply and let water flow removing any dirt in the lines.

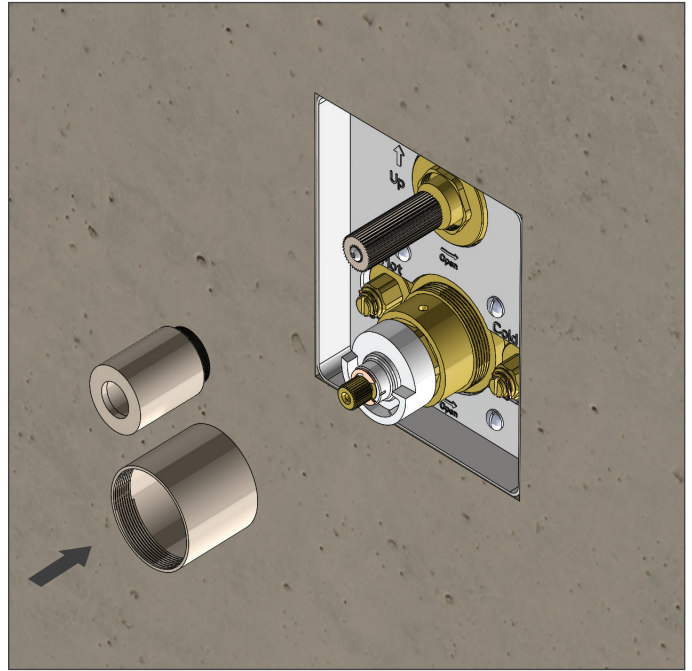




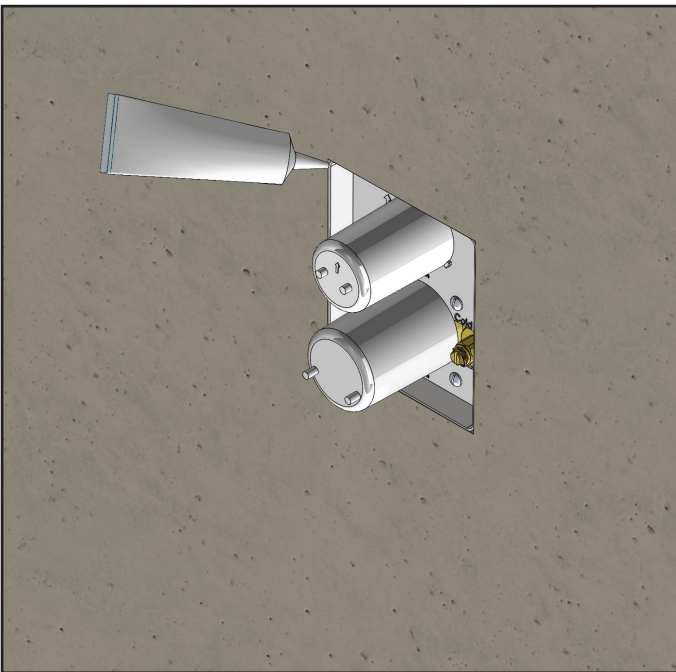
**INSTALLING THE TRIM - TRIM PLATE SIZE AND SHAPE MAY VARY - ILLUSTRATION ONLY**



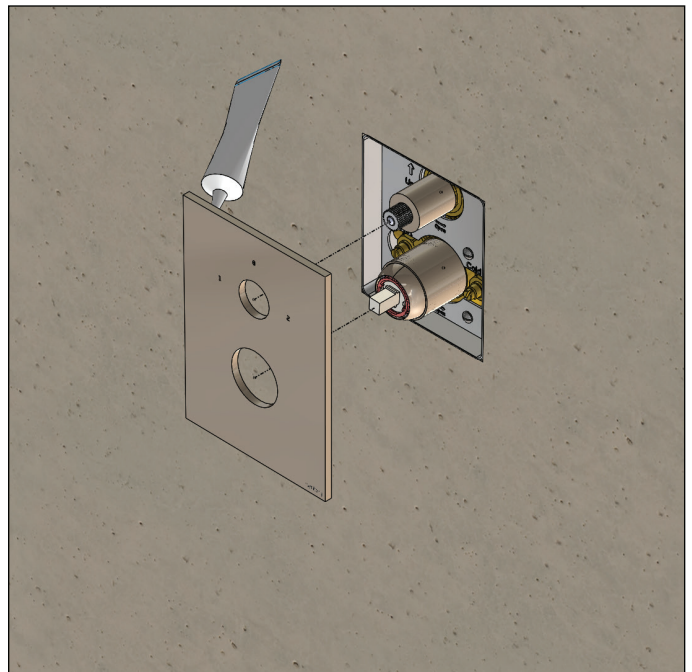
Remove protective cover



Insert cartridge covers



Apply silicone as seen above

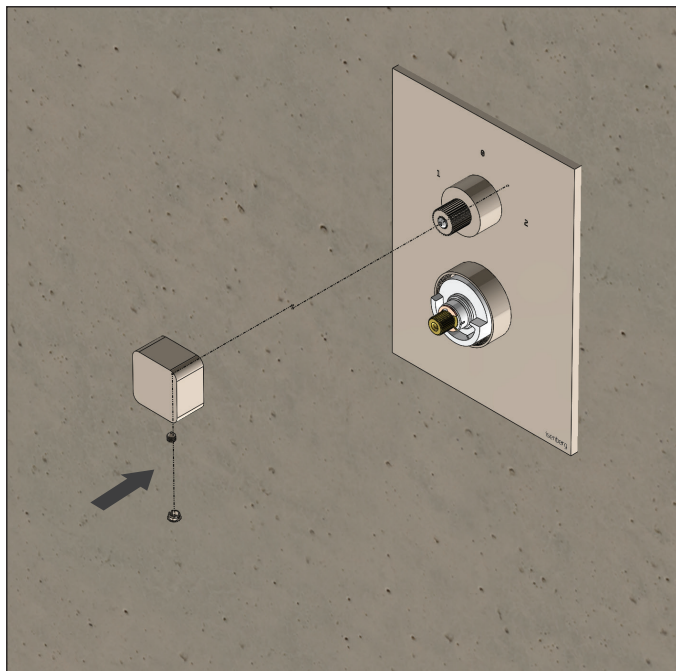


Apply silicone as seen above

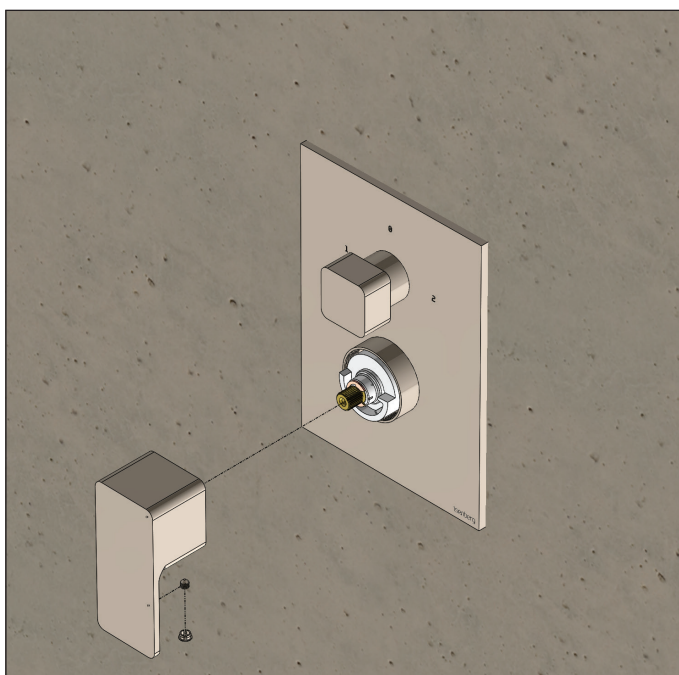
**INSTALLING THE TRIM - TRIM PLATE SIZE AND SHAPE MAY VARY - ILLUSTRATION ONLY**



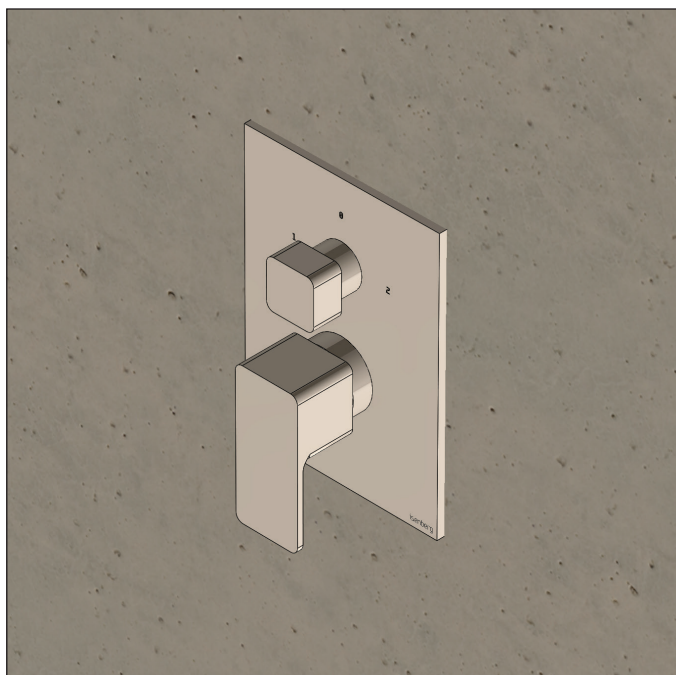
Insert trim plate



Insert diverter handle

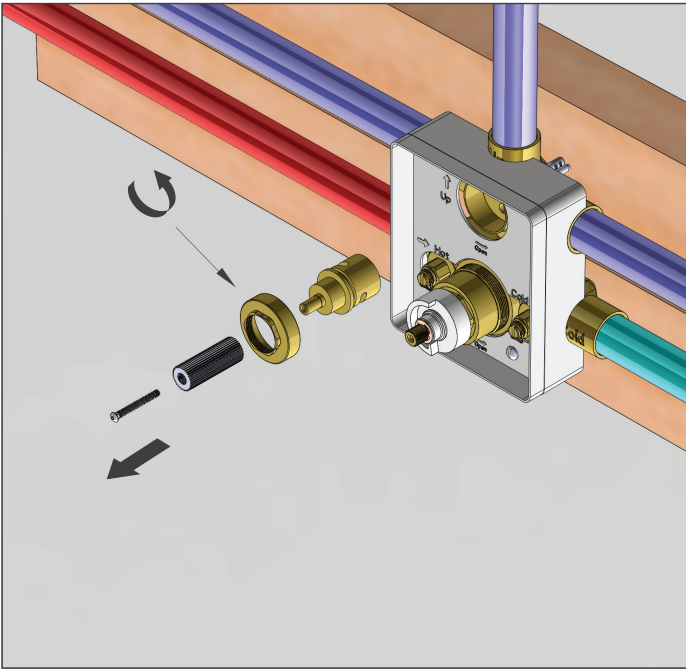


Insert temperature handle



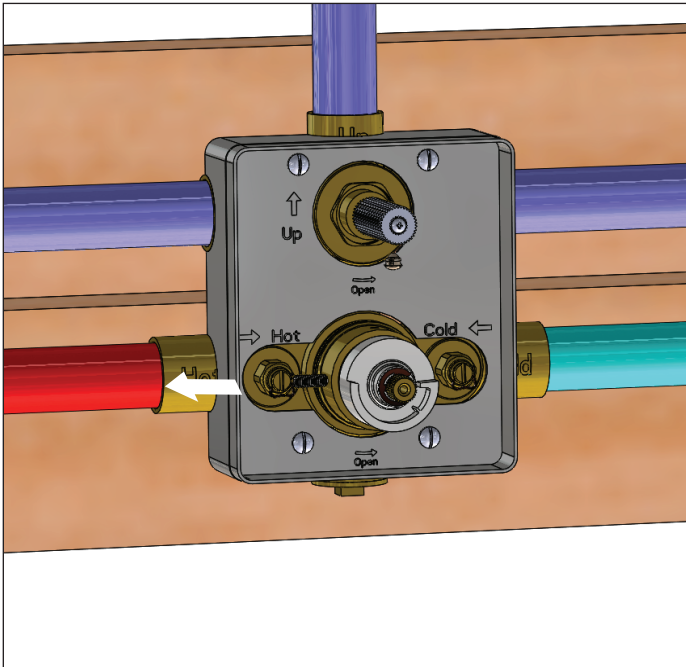
This photo shows a completely installed trim

## REPLACING THE DIVERTER CARTRIDGE

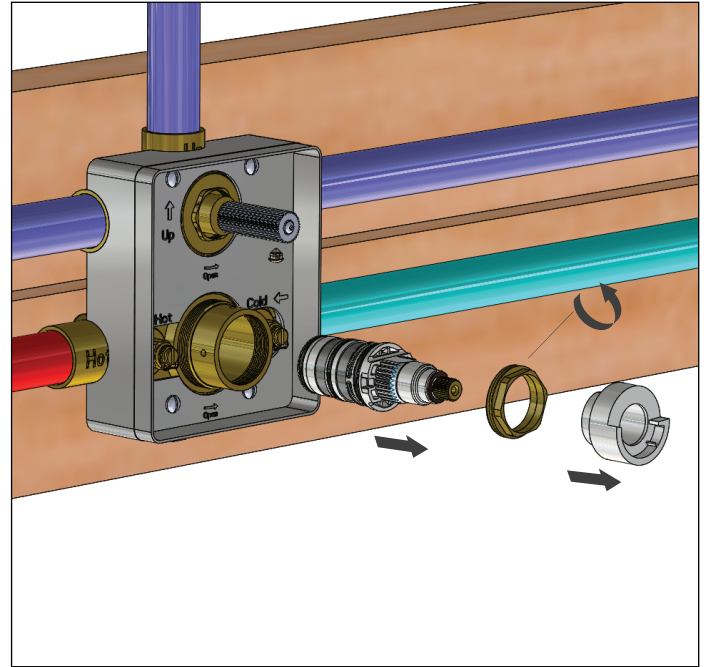


1. Turn brass retaining nut
2. Pull out diverter cartridge

## REPLACING THE TEMPERATURE CARTRIDGE

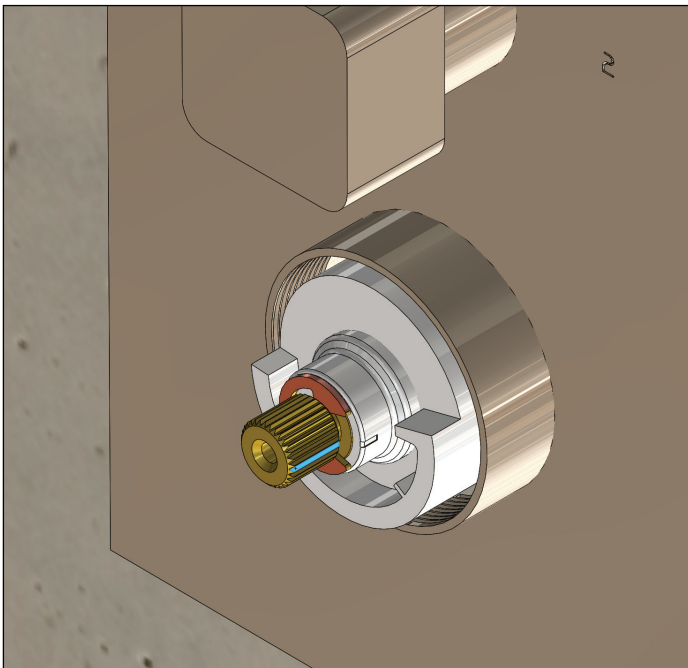


Remove hex nut on side of thermostatic cartridge.



Remove anti-scald plastic ring and loosen brass retaining nut. Then pull out cartridge.

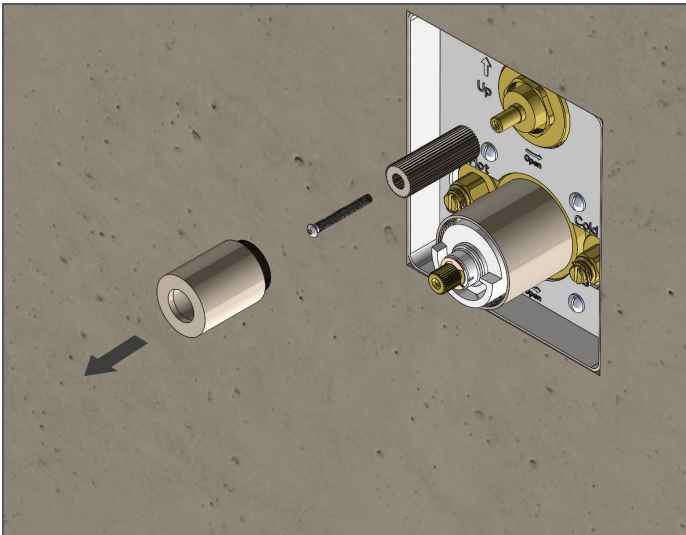
## CALIBRATING THE TEMPERATURE CARTRIDGE



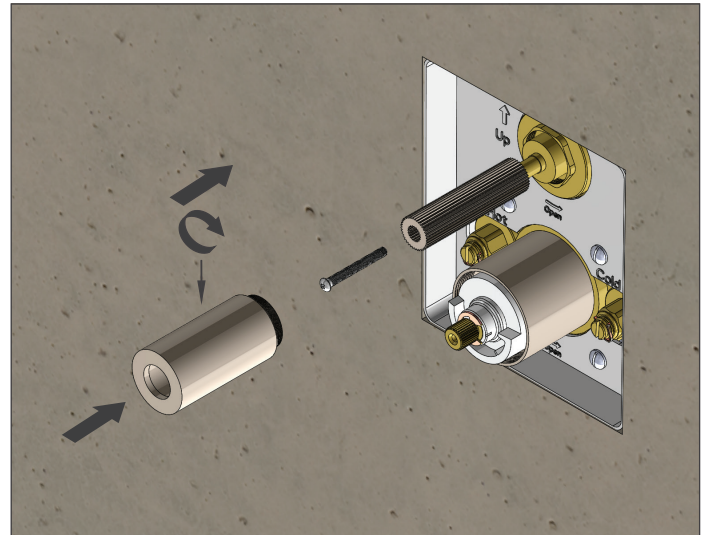
1) When handle is inserted make sure the groove on the side of the cartridge is aligned with the black line on the cartridge as seen on the left.

2) Then insert handle pointing down

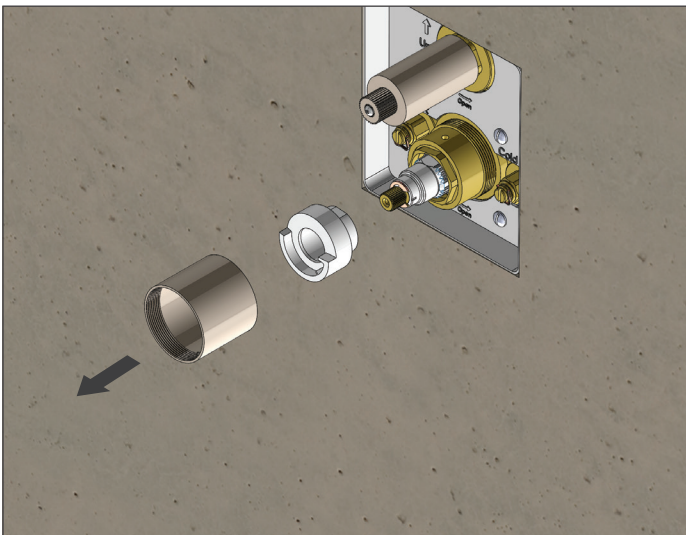
**INSTALLING EXTENSIONS TO THE VALVE - OPTIONAL**



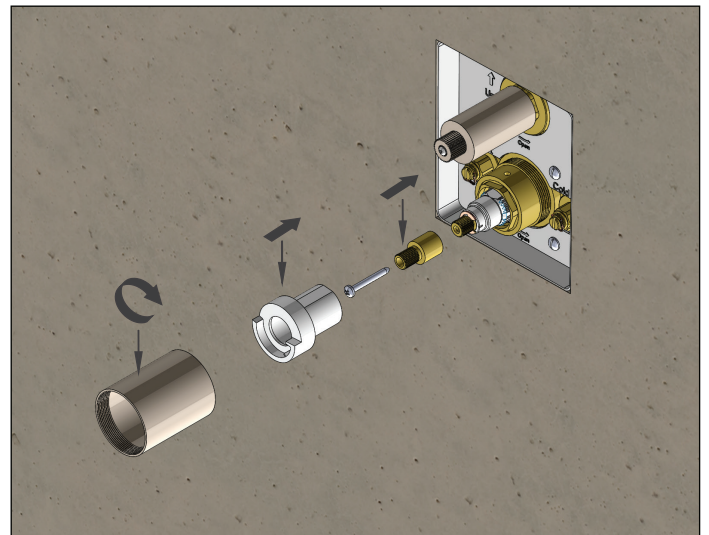
Remove diverter cover and black connector



Insert extended black connector and diverter connector

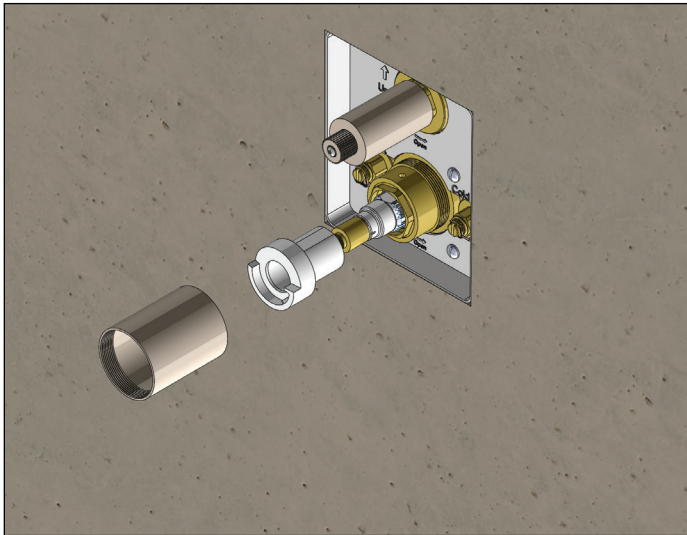


Remove temperature cartridge cover and anti-scald ring

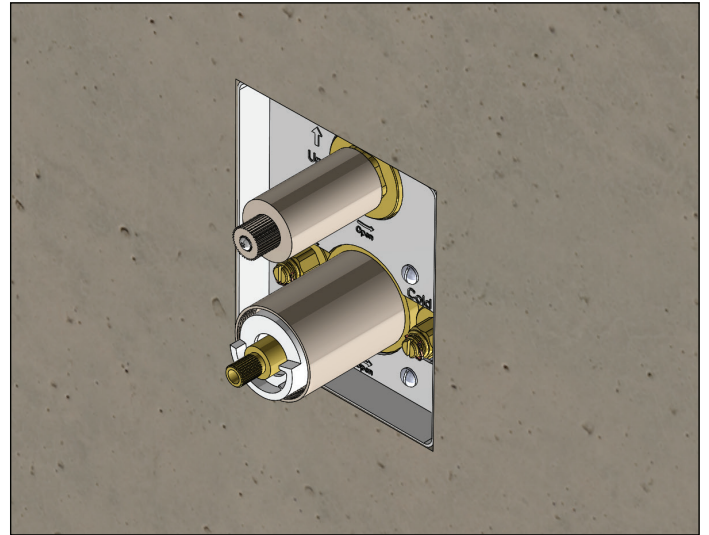


Insert cartridge extension, extended temperature cartridge cover and extended anti-scald ring

**INSTALLING EXTENSIONS TO THE VALVE - OPTIONAL**



Insert cartridge extension, extended temperature cartridge cover and extended anti-scald ring



Fully installed extension kit