



Installation Manual

196.1165

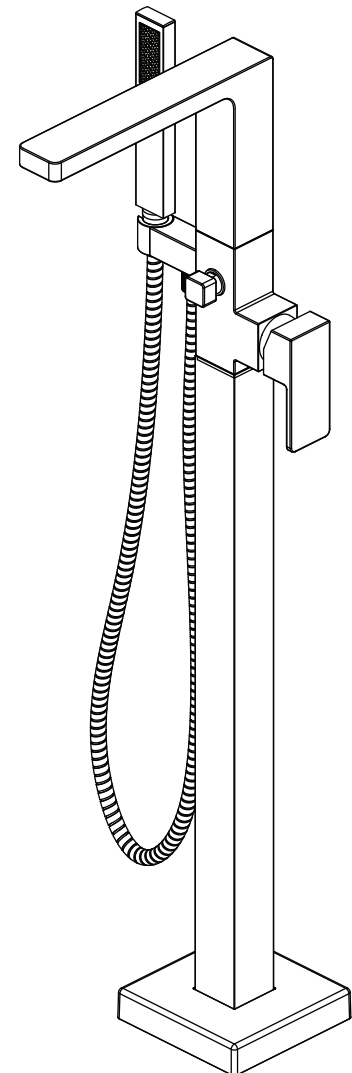
Floor Mounted Tub Filler With Hand Shower

NOTICE TO HOMEOWNER

- We recommend that this product is installed by a qualified professional plumber.
- Please check this product immediately to ensure that it has not been damaged and is complete. Before installation, please make sure this product is the correct model and you have all the parts required for installation and use.
- Please flush the water system to ensure that no metal swarf, solder, and other impurities can enter the product.
- Turn off water supply before commencing work.
- Please read these instructions carefully and retain for future reference.

BEFORE YOU BEGIN

- You must observe all local plumbing laws and codes.
- Do not install this valve if it does not meet local plumbing codes.
- Shut off the main water supply.





Installation Manual

196.1165

Floor Mounted Tub Filler With Hand Shower

TABLE OF CONTENTS	
• Operating Specifications	1
• Installation Procedure	2
• Proper Operation	3
• Replacing Cartridge	5
• Replacing Push / Pull Diverter	6

OPERATING SPECIFICATIONS

WATER TEMPERATURE



This product is to be used with water at a temperature range of 40°F - 120°F ONLY!

WATER PRESSURE



This product is to be used with a water pressure range of 15 PSI to 80 PSI ONLY

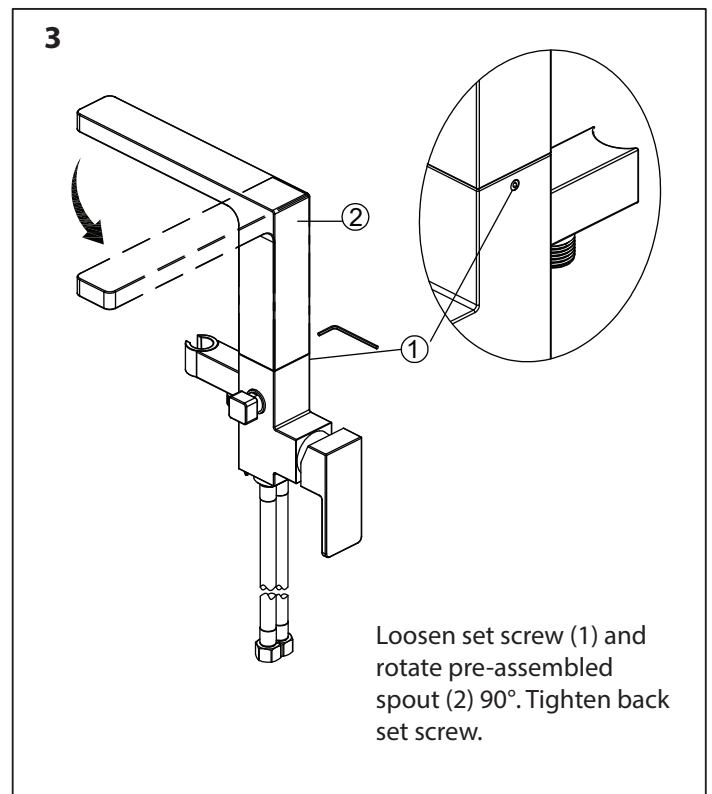
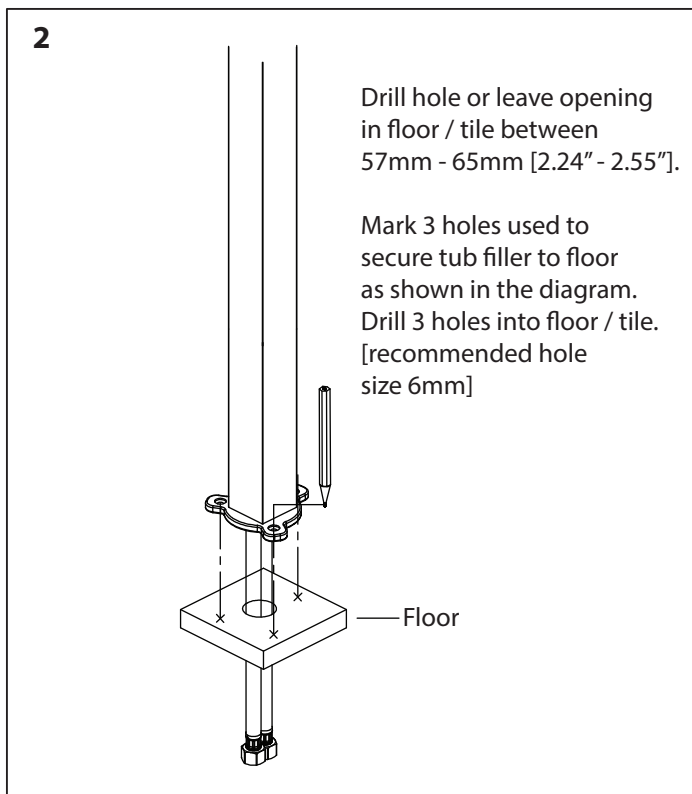
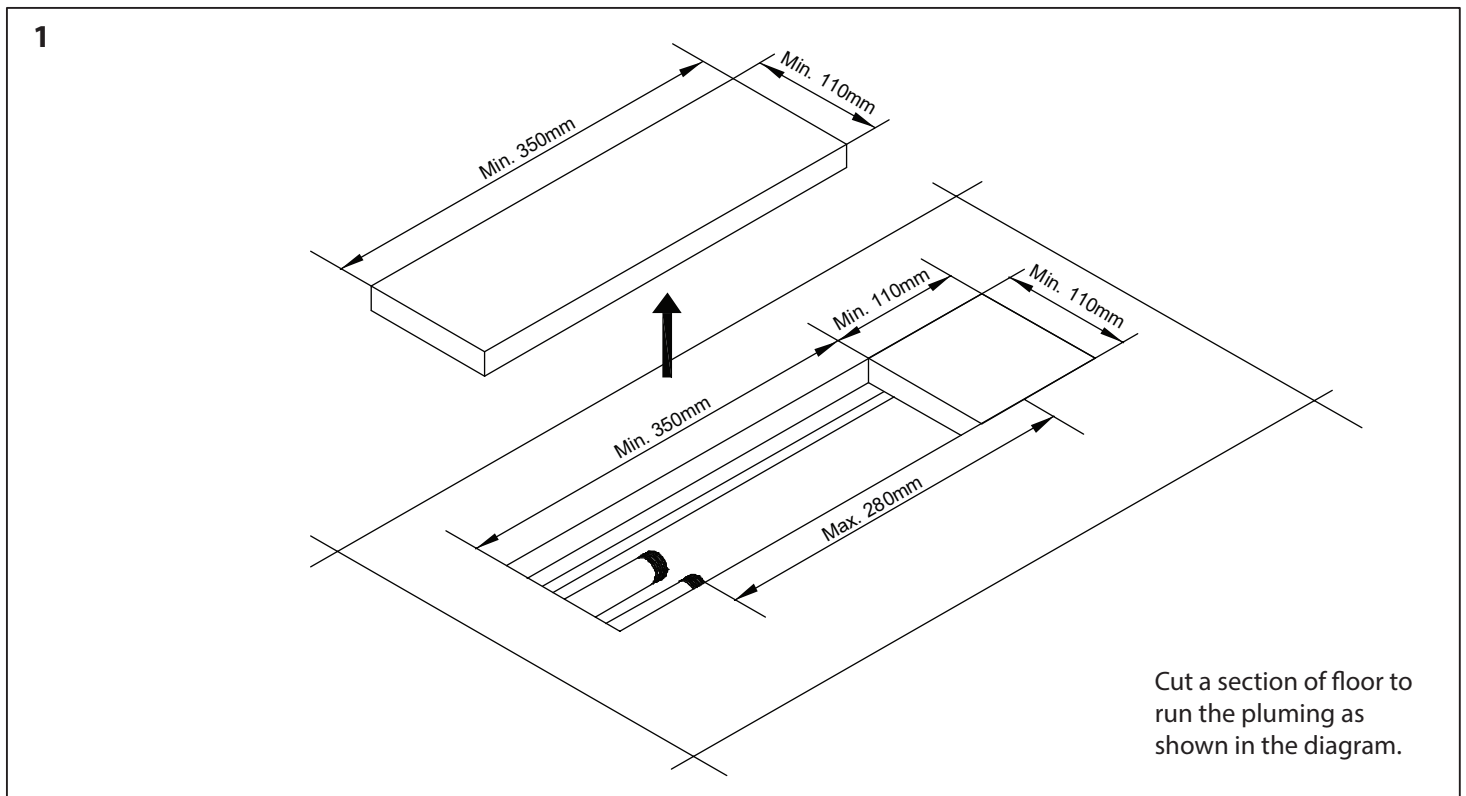
If water pressure is greater than 80 PSI install a pressure reducing valve (PRV)

This valve meets or exceeds ANSI A112.18.1 and ASSE 1016

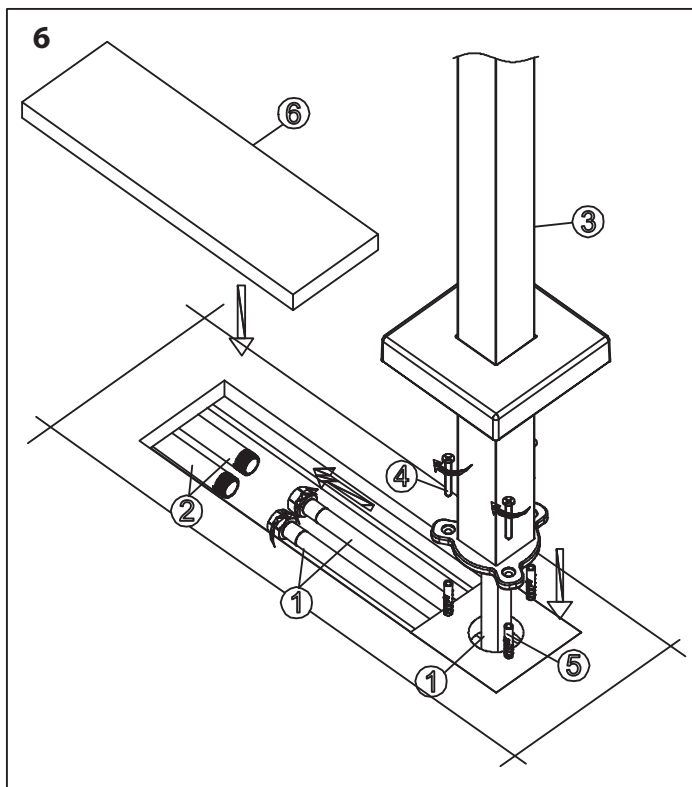
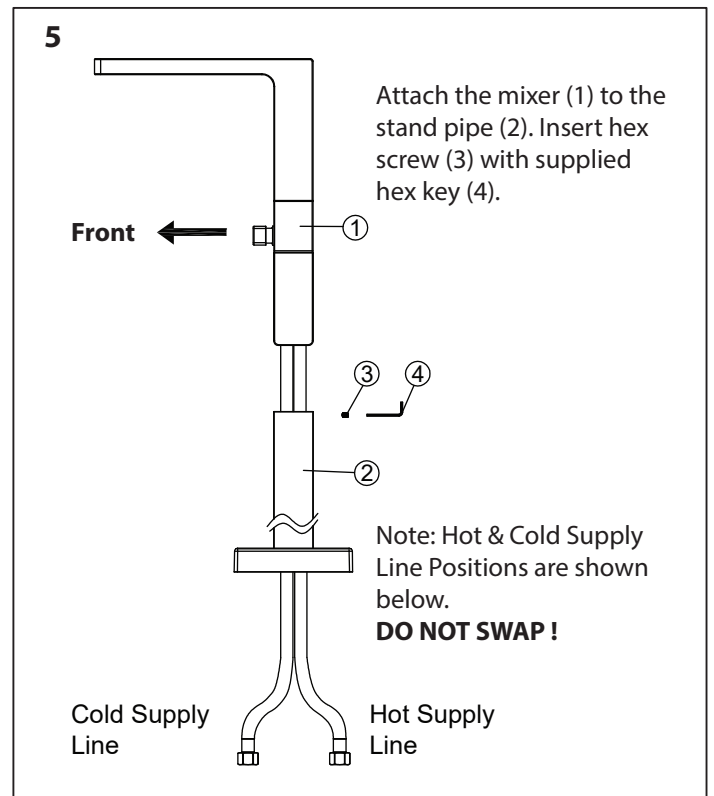
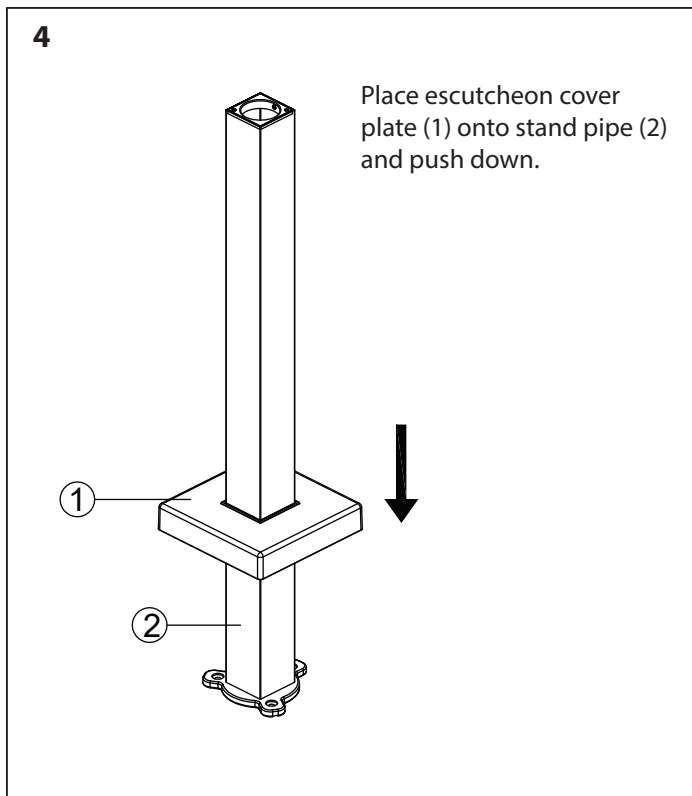
CAUTION:

- During mouting of this product extra care should be taken while drilling into the floor to avoid damaging any water supply hoses or coller lines that may exist beneath.
- To avoid risk of injury do NOT use the tub filler as a support bar to enter or exit the bath. The tub filler is not designed to support weight
- Supply hose connections should be installed in a location where they are accessible for cleaning and service.

INSTALLATION PROCEDURE



INSTALLATION PROCEDURE



Insert supply hoses (1) through cut out hole drilled into floor / tile.

Tighten the hose (1) into hot and cold water supply (2) using wrench.

Secure stand pipe (3) using screws (4) and plugs (5).

Do not use plugs (5) if securing into a wood floor.

After Installing, cover the floor (6)

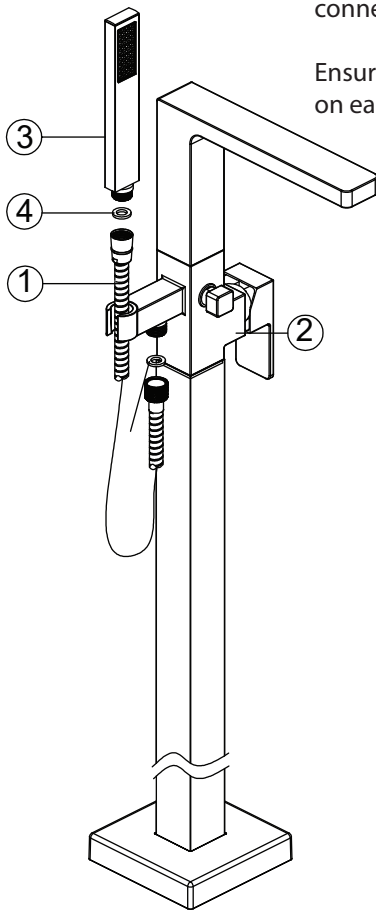
NOTE: Secure mounting base to the floor using screws (4) but for wood floors heavy wood screws should be used.

INSTALLATION PROCEDURE

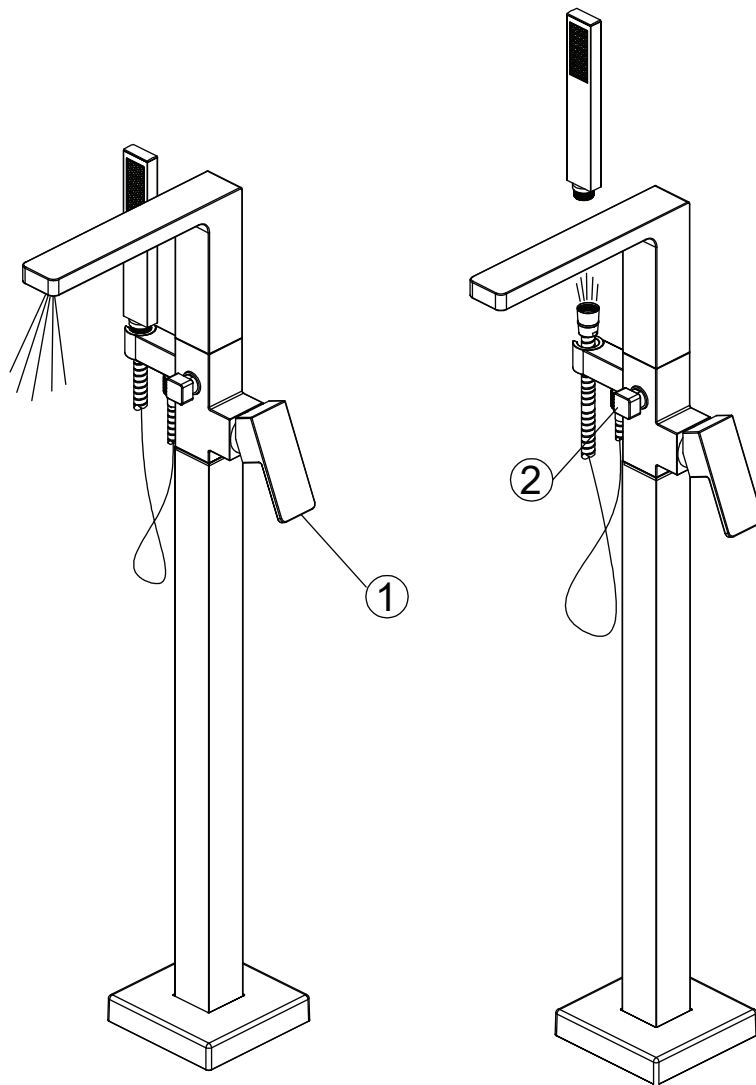
7

Connect hand shower (3)
to hose (1) and then
connect to faucet (2).

Ensure washer (4) is placed
on each end of hose.



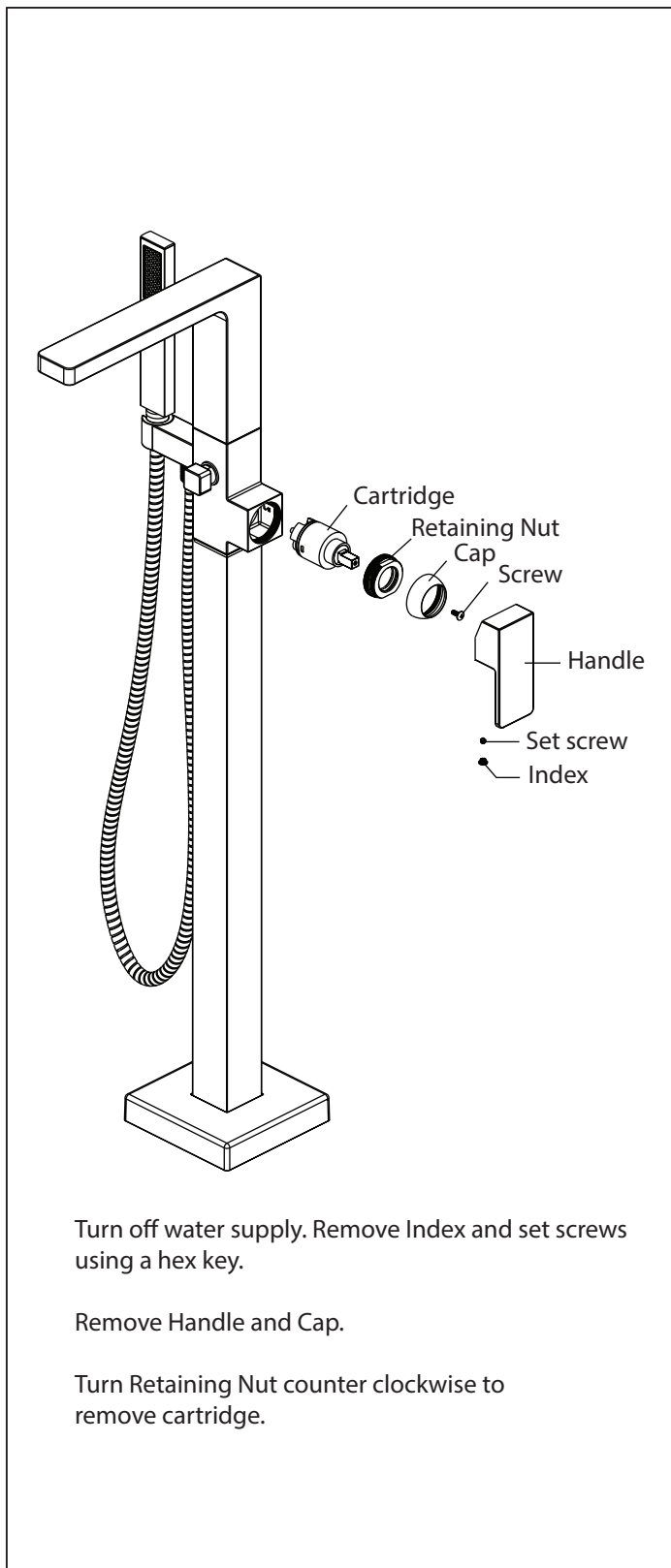
PROPER OPERATION



Turn on water by lifting handle (1).

Divert water between spout and hand held by depressing push-pull diverter button (2).

REPLACING TEMPERATURE CARTRIDGE



REPLACING PUSH PULL DIVERTER

