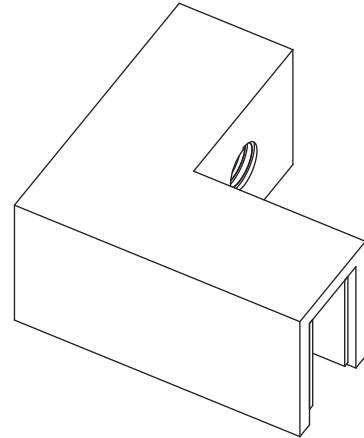


Installation Manual For 10.GGC.4016 90° Glass to Glass Sleeve Clamp



NOTICE TO HOMEOWNER

- We recommend that this product is installed by a qualified professional plumber.
- Please check this product immediately to ensure that it has not been damaged and is complete. Before installation, please make sure this product is the correct model and you have all the parts required for installation and use.
- Please flush the water system to ensure that no metal swarf, solder, and other impurities can enter the product.
- Turn off water supply before commencing work.
- Please read these instructions carefully and retain for future reference.

BEFORE YOU BEGIN

- You must observe all local plumbing laws and codes.
- Do not instal valve if it does not meet local plumbing codes.
- Shut off the main water supply.

Installation Manual For 10.GGC.4016

90° Glass to Glass Sleeve Clamp

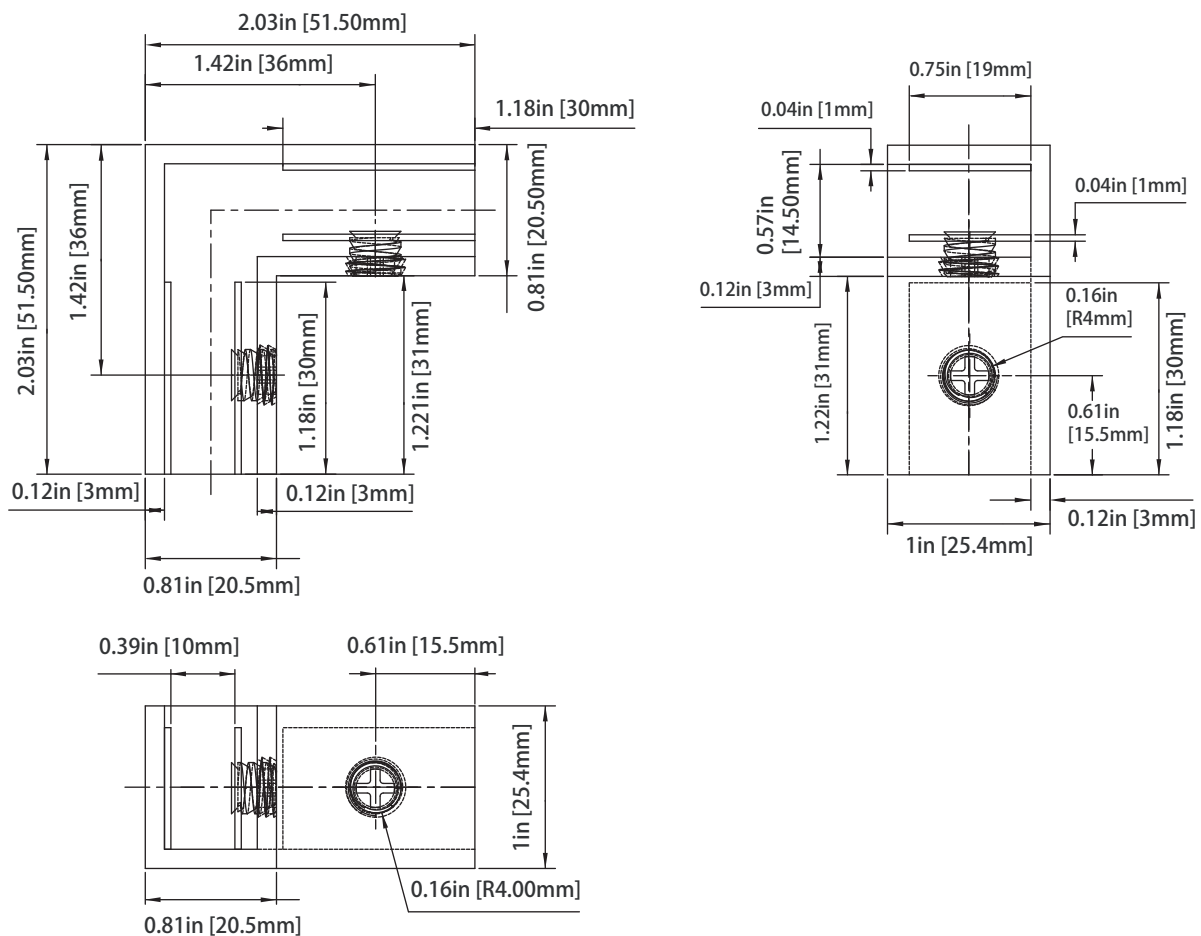
TABLE OF CONTENTS

OPERATING SPECIFICATIONS	3
INSTALLING HINGES	5

OPERATING SPECIFICATIONS

- **Glass Size:** 3/8" to 1/2" (10 to 12 mm) Tempered Glass only
- **Construction:** Solid Brass
- **Included:** Clamp body, glazing gaskets, mounting screws, and fabrication template
- **Use:** Residential Bath Commercial Hotel Applications

TECHNICAL DRAWING



SPECIFICATION

• GASKET SPECIFICATIONS:

For 3/8" (10mm) Glass: Use One Thick Gasket On Each Side
For 1/2" (12mm) Glass: Use One Thin Gasket On Each Side

• GASKET INSTRUCTIONS:

Only use tempered safety glass, To prevent damage to the clamp finish
During Installtion, do not use power tools when installing these clamps.

• CARE & CLEANING GUIDELINES:

For best result, keep the following recommendations in mind when caring
for you shower door hardware. Your shower door hardware should be dried
daily with a soft towel or cloth to insure its original finish.

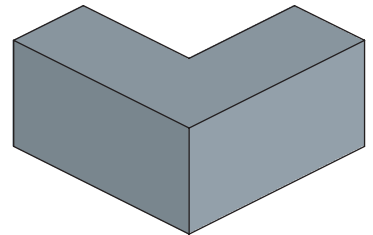
Do not use harsh cleaners or chemicals on the hardware, as many of the
components are coated with a clear lacquer that will become damaged
beyond repair.

Always test your cleaning solution in an inconspicuous area prior to cleaning
the entire hardware surface.

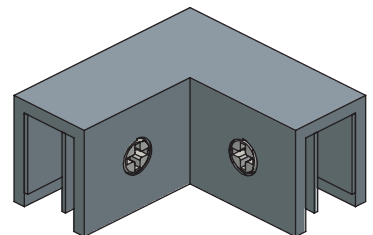
Wipe surfaces clean using a soft dampened cloth or sponge and rinse completely
with warm water immediately after applying the cleaning solutions.

Use only smalll amout of liquid, gentle cleaner.

Never use abrasive products, sponges, or wire scrub brushes while cleaning
hardware.

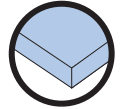


FRONT ISO VIEW



REAR ISO VIEW

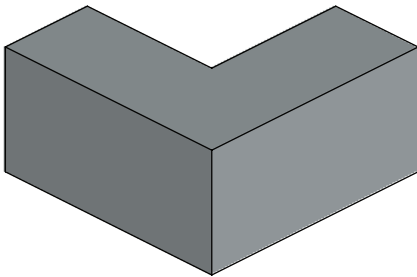
INSTALLATION



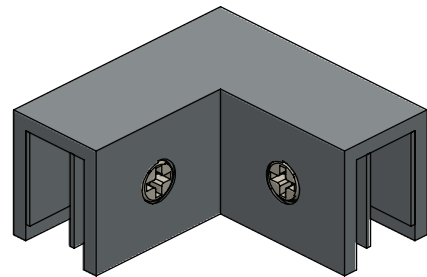
**USE ONLY
MONOLITHIC
TEMPERED GLASS**

GLASS FITMENT DETAILS :

- Glass clamp with nylon-tipped Allen set screw, designed for a 90-degree "slip fit".
- Suitable for tempered glass ranging from 3/8" to 1/2" thickness.
- No need for glass fabrication.
- Corrects misalignment issues at the top edge of glass panels.
- Ideal for securely holding glass panels together during silicone sealant curing.
- Leaves a minimal gap of less than 1/8".
- Complements all plated hardware with finished edges.
- Prevents panels from separating over time.

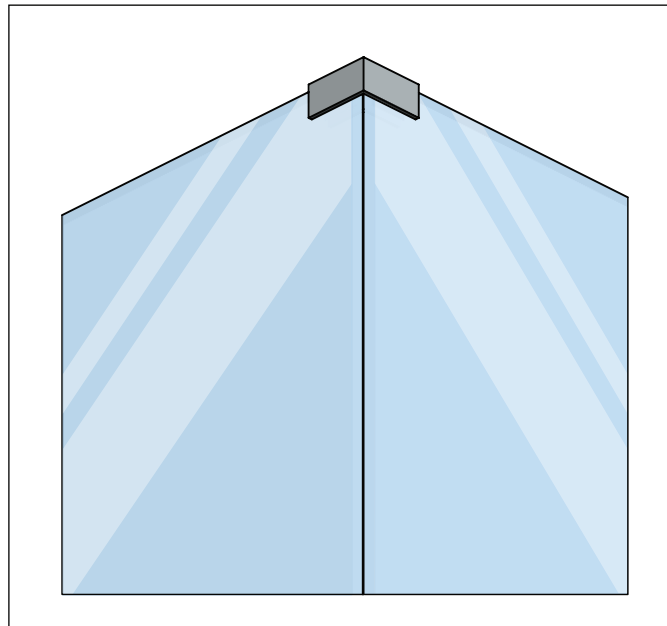


FRONT VIEW

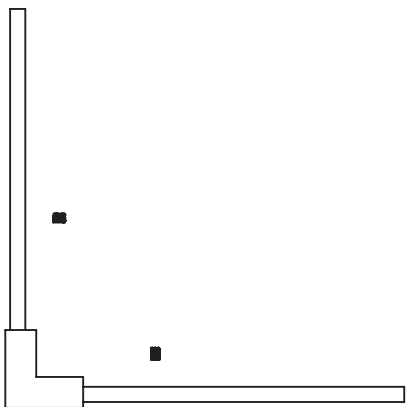


REAR VIEW

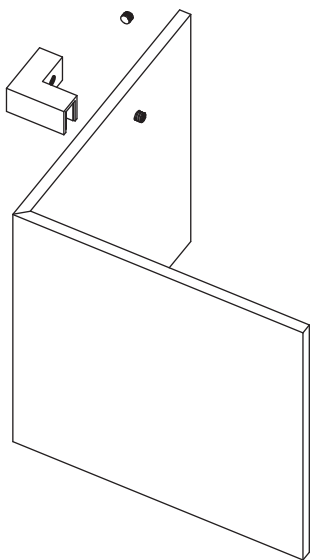
SLIP FIT REPRESENTATION



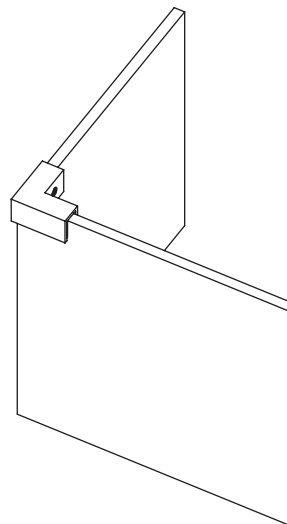
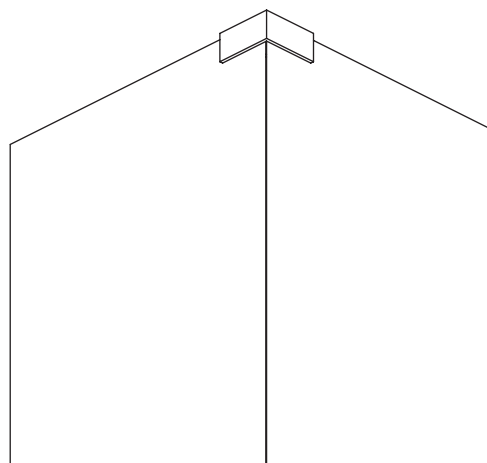
INSTALLATION



TOP EXPLODED VIEW-1



ISO EXPLODED VIEW-2



ISO VIEW-3